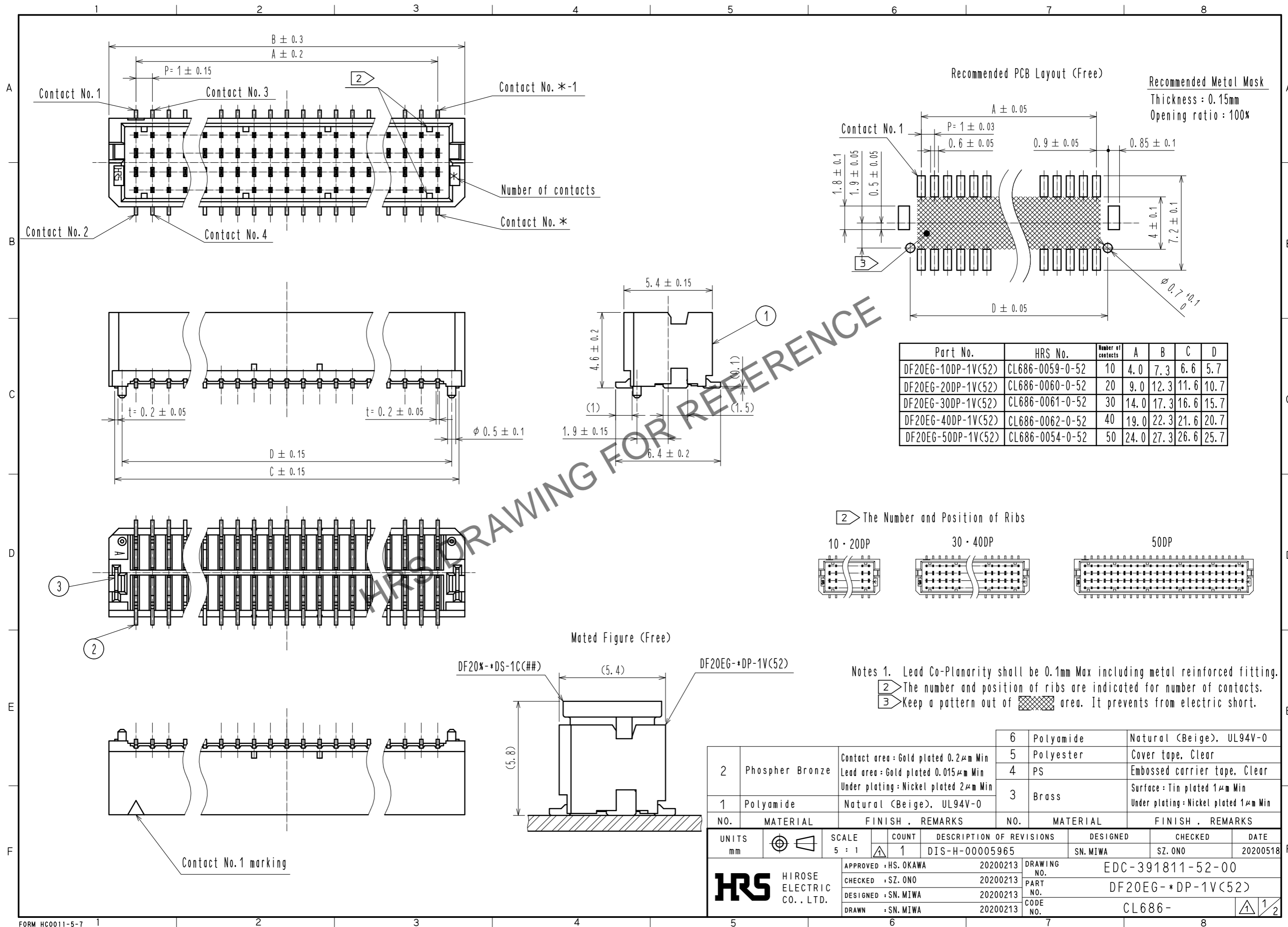


Dec.1.2024 Copyright 2024 HIROSE ELECTRIC CO., LTD. All Rights Reserved.
In case of consideration for using Automotive equipment / device which demand high reliability, kindly contact our sales window correspondents.

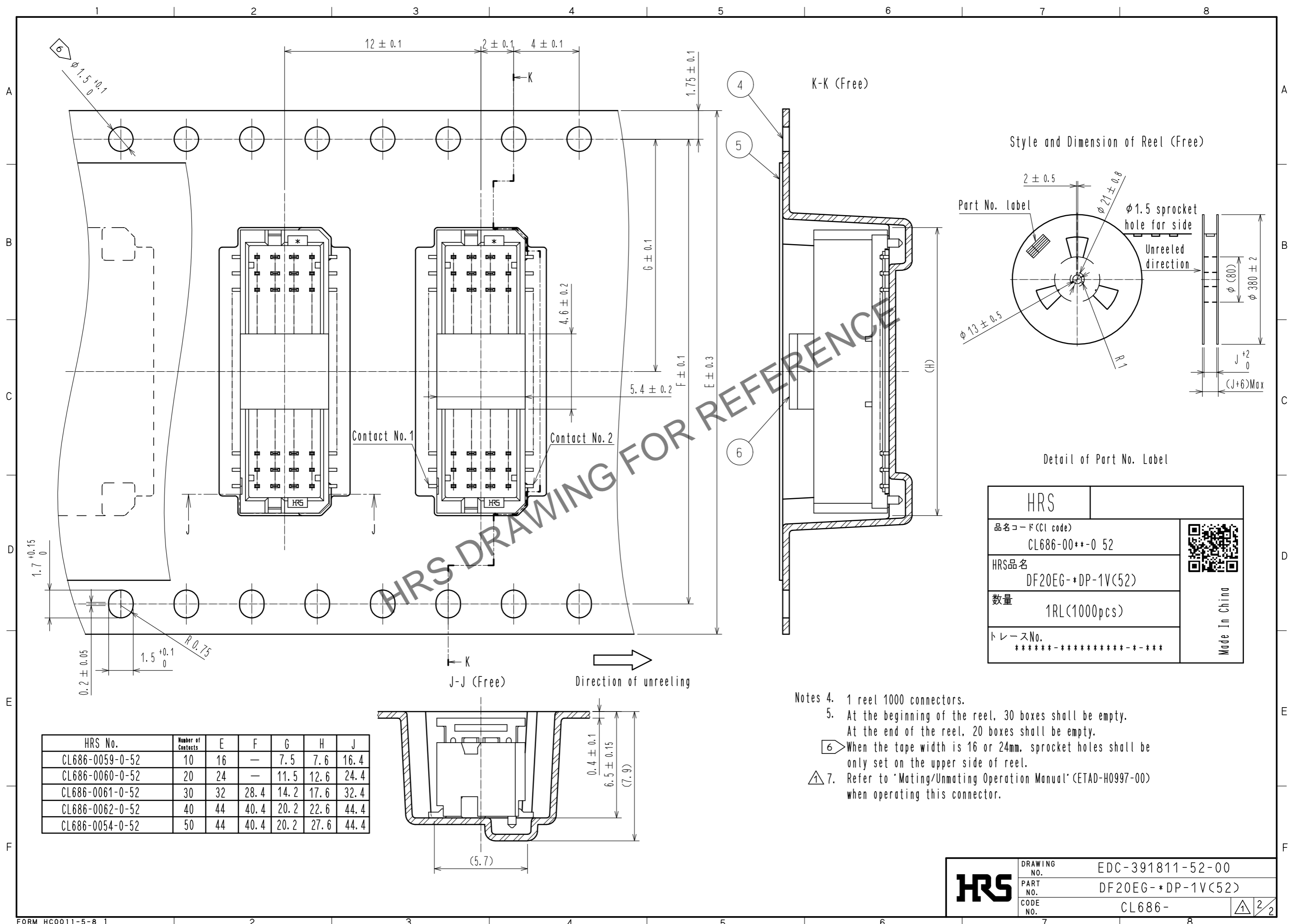


NO.	MATERIAL	FINISH	REMARKS	NO.	MATERIAL	FINISH	REMARKS
2	Phospher Bronze	Contact area : Gold plated 0.2 μ m Min Lead area : Gold plated 0.015 μ m Min Under plating : Nickel plated 2 μ m Min		6	Polyamide	Natural (Beige), UL94V-0	
1	Polyamide	Natural (Beige), UL94V-0		5	Polyester	Cover tape, Clear	
				4	PS	Embossed carrier tape, Clear	
				3	Brass	Surface : Tin plated 1 μ m Min Under plating : Nickel plated 1 μ m Min	

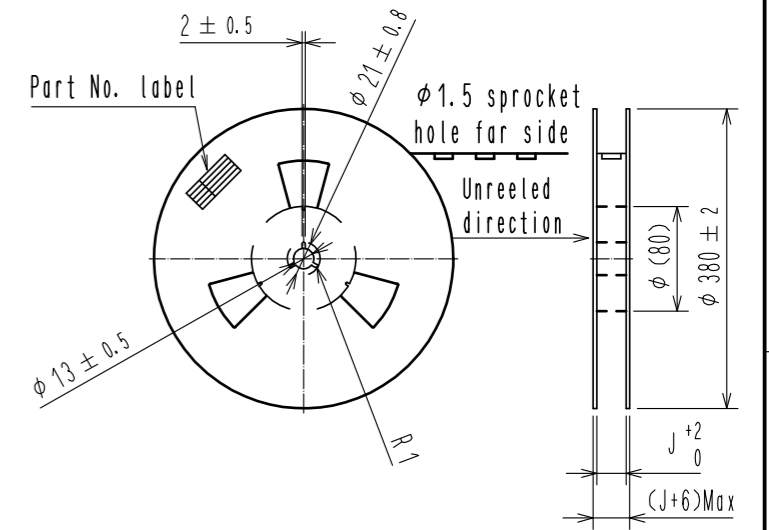
UNITS	SCALE	COUNT	DESCRIPTION OF REVISIONS	DESIGNED	CHECKED	DATE
mm	5 : 1	1	DIS-H-00005965	SN.MIWA	SZ.ONO	20200518

APPROVED	CHECKED	DESIGNED	DRAWN	DRAWING NO.	PART NO.	CODE NO.
HS.OKAWA	SZ.ONO	SN.MIWA	SN.MIWA	EDC-391811-52-00	DF20EG-*DP-1V(52)	CL686-


Dec.1.2024 Copyright 2024 HIROSE ELECTRIC CO., LTD. All Rights Reserved.
 In case of consideration for using Automotive equipment / device which demand high reliability, kindly contact our sales window correspondents.



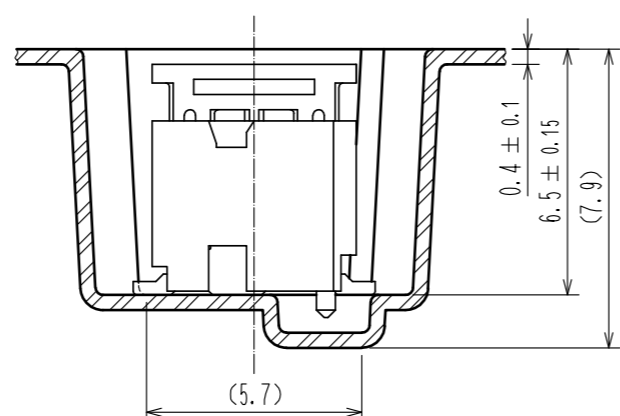
Style and Dimension of Reel (Free)




Detail of Part No. Label

HRS		 Made In China
品名コード (CI code)	CL686-00**-0 52	
HRS品名	DF20EG-*DP-1V(52)	
数量	1RL(1000pcs)	
トレースNo.	*****-*****-**-***	

HRS No.	Number of Contacts	E	F	G	H	J
CL686-0059-0-52	10	16	—	7.5	7.6	16.4
CL686-0060-0-52	20	24	—	11.5	12.6	24.4
CL686-0061-0-52	30	32	28.4	14.2	17.6	32.4
CL686-0062-0-52	40	44	40.4	20.2	22.6	44.4
CL686-0054-0-52	50	44	40.4	20.2	27.6	44.4



- Notes
- 1 reel 1000 connectors.
 - At the beginning of the reel, 30 boxes shall be empty.
At the end of the reel, 20 boxes shall be empty.
 - When the tape width is 16 or 24mm, sprocket holes shall be only set on the upper side of reel.
 - Refer to 'Mating/Unmating Operation Manual' (ETAD-H0997-00) when operating this connector.

	DRAWING NO.	EDC-391811-52-00
	PART NO.	DF20EG-*DP-1V(52)
	CODE NO.	CL686-