

2-963214-1 ✓ ACTIVE

AMP | Junior Power Timer

TE Internal #: 2-963214-1

Housing for Female Terminals, Wire-to-Wire, 10 Position, 5 mm [.197 in] Centerline, Sealable, Gray, Wire & Cable, Power, Junior Power Timer

[View on TE.com >](#)



Connectors > Automotive Connectors > Automotive Housings > Timer Connector Housing



Connector System: **Wire-to-Wire**

Number of Positions: **10**

Connector & Housing Type: **Housing for Female Terminals**

Centerline (Pitch): **5 mm [.197 in]**

Sealable: **Yes**

[All Timer Connector Housing \(497\)](#)

## Features

### Product Type Features

Connector System	Wire-to-Wire
Connector & Housing Type	Housing for Female Terminals
Sealable	Yes
Connector & Contact Terminates To	Wire & Cable
Primary Locking Feature	On the Terminal
Mixed & Hybrid Connector	No
Connector Shape	Rectangular

### Configuration Features

Number of Positions	10
Number of Rows	2

### Housing Features

Centerline (Pitch)	5 mm [.197 in]
Housing Material	PBT GF

### Contact Features

Mating Tab Width	2.8 mm [.11 in]
Contact Current Rating (Max)	30 A
Contact Size	2.8mm



Contact Type	Receptacle
--------------	------------

### Body Features

Primary Product Color	Gray
Connector & Keying Code	B1

### Operation/Application

Circuit Application	Power
---------------------	-------

### Mechanical Attachment

Connector Mounting Type	Cable Mount (Free-Hanging)
Strain Relief	Without
Terminal Position Assurance	Yes
Mating Alignment Type	Keyed
Mating Alignment	With

### Usage Conditions

Operating Temperature (Max)	80 °C[176 °F]
Operating Temperature Range	-40 – 80 °C[-40 – 176 °F]

### Electrical Characteristics

Nominal Voltage Architecture	12 V
------------------------------	------

### Other

Connector Position Assurance Capable	No
EU RoHS Compliance	Compliant
EU ELV Compliance	Compliant
Serviceable	No

### Dimensions

Product Width	26.3 mm[1.035 in]
Row-to-Row Spacing	6 mm[.236 in]
Product Length	42.3 mm[1.665 in]
Connector Height	37.75 mm[1.486 in]

### Packaging Features

Packaging Method	Carton
Packaging Quantity	840



## Product Compliance

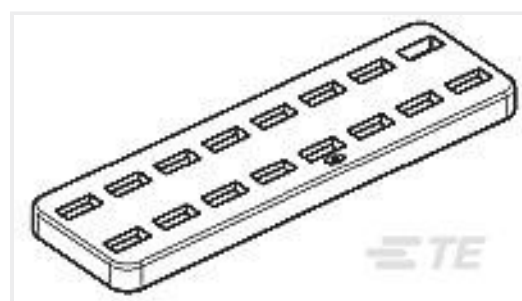
[For compliance documentation, visit the product page on TE.com>](#)

EU RoHS Directive 2011/65/EU	Compliant
EU ELV Directive 2000/53/EC	Compliant
China RoHS 2 Directive MIIT Order No 32, 2016	No Restricted Materials Above Threshold
EU REACH Regulation (EC) No. 1907/2006	Current ECHA Candidate List: JUNE 2024 (241) Candidate List Declared Against: JUNE 2024 (241) Does not contain REACH SVHC
Halogen Content	BFR/CFR/PVC Free, but Br/Cl >900 ppm in other sources.
Solder Process Capability	Not applicable for solder process capability

### Product Compliance Disclaimer

This information is provided based on reasonable inquiry of our suppliers and represents our current actual knowledge based on the information they provided. This information is subject to change. The part numbers that TE has identified as EU RoHS compliant have a maximum concentration of 0.1% by weight in homogenous materials for lead, hexavalent chromium, mercury, PBB, PBDE, DBP, BBP, DEHP, DIBP, and 0.01% for cadmium, or qualify for an exemption to these limits as defined in the Annexes of Directive 2011/65/EU (RoHS2). Finished electrical and electronic equipment products will be CE marked as required by Directive 2011/65/EU. Components may not be CE marked. Additionally, the part numbers that TE has identified as EU ELV compliant have a maximum concentration of 0.1% by weight in homogenous materials for lead, hexavalent chromium, and mercury, and 0.01% for cadmium, or qualify for an exemption to these limits as defined in the Annexes of Directive 2000/53/EC (ELV). Regarding the REACH Regulation, the information TE provides on SVHC in articles for this part number is based on the latest European Chemicals Agency (ECHA) 'Guidance on requirements for substances in articles' posted at this URL: <https://echa.europa.eu/guidance-documents/guidance-on-reach>

## Compatible Parts



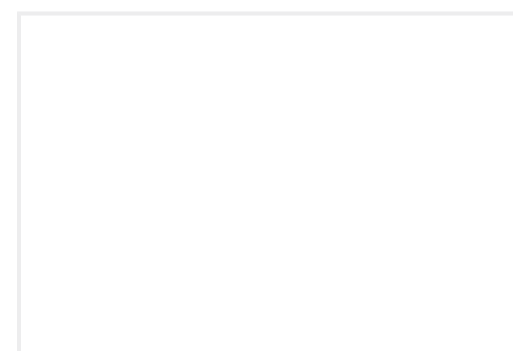
TE Part # 963213-1  
DICHTUNG F 962352



TE Part # CAT-T4827-CH8172  
Timer Connector Housing



TE Part # 1-967601-1  
MESSERLEISTE3,0 10P



TE Part # 962354-1  
SCHIEBER F963214

## Also in the Series | [Junior Power Timer](#)



Automotive Connector Caps & Covers (9)



Automotive Connector Locks & Position Assurance (8)



Automotive Housings (306)



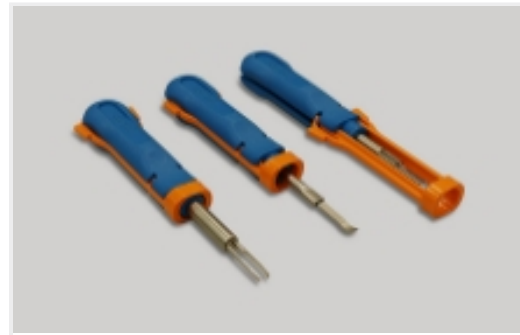
Automotive Terminals (153)



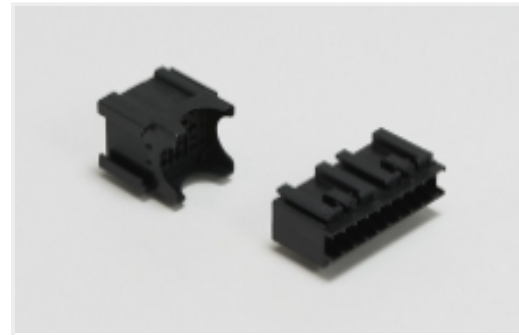
Busbars & Terminals (1)



Connector Seals & Cavity Plugs (8)



Insertion & Extraction Tools (8)



Module Components (1)



Other Automotive Connector Accessories (2)

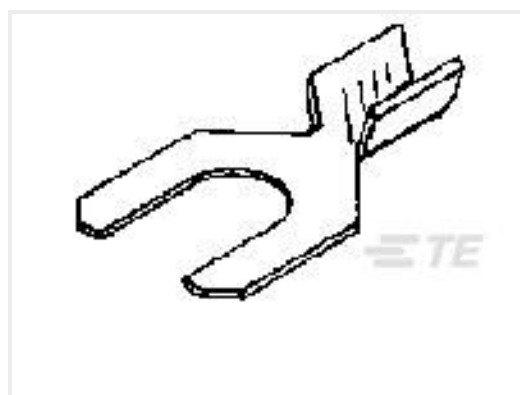


Special Purpose Terminals (2)

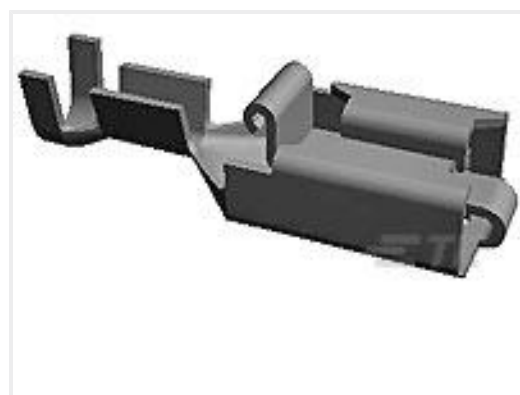
## Customers Also Bought



TE Part #1-967241-1  
Timer Connector Housing



TE Part #42113-2  
SPADE TERMINAL 12-10 AWG TPBR



TE Part #170233-2  
POSITIVE LOCK 250 REC 0.5-2.27  
MM2 TPBR



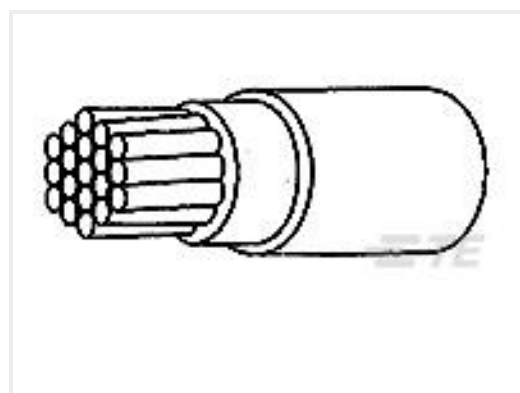
TE Part #160928-2  
FF 250 REC 0.5-1.0MM2 TPBR



TE Part #5748526-1  
KIT, PLUG, 9P, HDP-20, SHLD HDWRE



TE Part #1394277-1  
SCHUTZKAPPE F4+7P



TE Part #9070953001  
FLT0111-0.50-5



TE Part #3687213001  
FLT0111-1.00-0

## Documents



## Product Drawings

### 10P J-P-T GEH KOMPL

English

---

## CAD Files

### 3D PDF

English

### Customer View Model

[ENG\\_CVM\\_2-963214-1\\_D.2d\\_dxf.zip](#)

English

### Customer View Model

[ENG\\_CVM\\_2-963214-1\\_D.3d\\_igs.zip](#)

English

### Customer View Model

[ENG\\_CVM\\_2-963214-1\\_D.3d\\_stp.zip](#)

English

By downloading the CAD file I accept and agree to the [Terms and Conditions](#) of use.

---

## Product Specifications

### Application Specification

English