

1-962841-2 ✓ ACTIVE

AMP | Timer Connector System, Junior Power Timer

TE Internal #: 1-962841-2

Tab, Mating Tab Width 2.8 mm [.11 in], Tab Thickness .8 mm [.031 in], 20 – 17 AWG Wire Size, Timer Connector System, Automotive Terminals

[View on TE.com >](#)



Terminals & Splices > Automotive Terminals > TIMER, RECEPTACLE AND TAB



Terminal Type: **Tab**

Mating Tab Width: **2.8 mm [.11 in]**

Mating Tab Thickness: **.8 mm [.031 in]**

Terminal Transmits: **25 – 40 A (Power)**

Wire Size: **20 – 17 AWG**

[All TIMER, RECEPTACLE AND TAB \(278\)](#)

## Features

### Industry Standards

Compatible With Agency/Standards Products

IEC 664/664A (DIN VDE 0110)

### Operation/Application

Compatible With Wire Base Material

Copper

Conforms to Automation Guideline

Yes, KOMAX Automatic Component Insertion per Version 5.0 (March 2018)

### Packaging Features

Packaging Method

Reel

Packaging Quantity

4000

### Usage Conditions

Insulation Option

Uninsulated

Operating Temperature (Max)

140 °C[284 °F]

Operating Temperature Range

-40 – 140 °C[-40 – 284 °F]

### Termination Features

Termination Method to Wire & Cable

Crimp

Product Terminates To

Wire

### Dimensions



Compatible Insulation Diameter Range	1.4 – 2.1 mm [.055 – .083 in]
Wire Size	.5 – 1 mm <sup>2</sup>
Wire Size Search	1 mm <sup>2</sup> , .5 mm <sup>2</sup> , .75 mm <sup>2</sup> , .6 mm <sup>2</sup>
Tab Length	26.7 mm [1.05 in]

### Contact Features

Typical Current Rating	30 A
Crimp Type	F-Crimp
Contact Size	2.8mm
Contact Fabrication	Stamped & Formed
Wire Contact Termination Area Plating Material	Silver
Terminal Type	Tab
Mating Tab Width	2.8 mm [.11 in]
Mating Tab Thickness	.8 mm [.031 in]
Interface Plating	Silver (Ag)

### Product Type Features

Sealable	No
Primary Locking Feature	Locking Lance

### Other

Terminal Transmits	25 – 40 A (Power)
EU RoHS Compliance	Compliant
EU ELV Compliance	Compliant

### Product Compliance

[For compliance documentation, visit the product page on TE.com>](#)

EU RoHS Directive 2011/65/EU	Compliant
EU ELV Directive 2000/53/EC	Compliant
China RoHS 2 Directive MIIT Order No 32, 2016	No Restricted Materials Above Threshold
EU REACH Regulation (EC) No. 1907/2006	Current ECHA Candidate List: JUNE 2024 (241) Candidate List Declared Against: JUNE 2024 (241) Does not contain REACH SVHC
Halogen Content	Low Halogen - Br, Cl, F, I < 900 ppm per homogenous material. Also BFR/CFR/PVC Free

Solder Process Capability

Not applicable for solder process capability

Product Compliance Disclaimer

This information is provided based on reasonable inquiry of our suppliers and represents our current actual knowledge based on the information they provided. This information is subject to change. The part numbers that TE has identified as EU RoHS compliant have a maximum concentration of 0.1% by weight in homogenous materials for lead, hexavalent chromium, mercury, PBB, PBDE, DBP, BBP, DEHP, DIBP, and 0.01% for cadmium, or qualify for an exemption to these limits as defined in the Annexes of Directive 2011/65/EU (RoHS2). Finished electrical and electronic equipment products will be CE marked as required by Directive 2011/65/EU. Components may not be CE marked. Additionally, the part numbers that TE has identified as EU ELV compliant have a maximum concentration of 0.1% by weight in homogenous materials for lead, hexavalent chromium, and mercury, and 0.01% for cadmium, or qualify for an exemption to these limits as defined in the Annexes of Directive 2000/53/EC (ELV). Regarding the REACH Regulation, the information TE provides on SVHC in articles for this part number is based on the latest European Chemicals Agency (ECHA) 'Guidance on requirements for substances in articles' posted at this URL: <https://echa.europa.eu/guidance-documents/guidance-on-reach>

## Compatible Parts



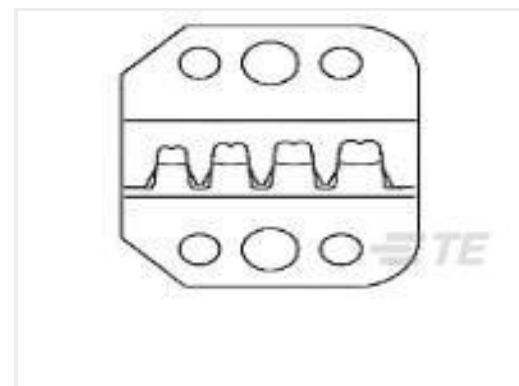
TE Part # CAT-AM705-CH8173  
AMP Unsealed Connector Housing



TE Part # 4-1579007-3  
EXTRACTION TOOL KIT



TE Part # 1-1579007-6  
EXTRACTION TOOL



TE Part # 58603-2  
PROCRIMP DIE JPT 2.8MM TAB



TE Part # 1-2322192-1  
18POS,2.8X0.8,TAB HSG,COD A



TE Part # 1-2383353-1  
95POS,LEAVYSEAL,TAB HSG ASSY,SLD,COD A



TE Part # 2-2322192-1  
18POS,2.8X0.8,TAB HSG,COD B



TE Part # 2-2383353-1  
95POS,LEAVYSEAL,TAB HSG ASSY,SLD,COD B



TE Part # 2151267-1  
OCEAN\_2.0\_APPLICATOR-S-080F100O-RSM



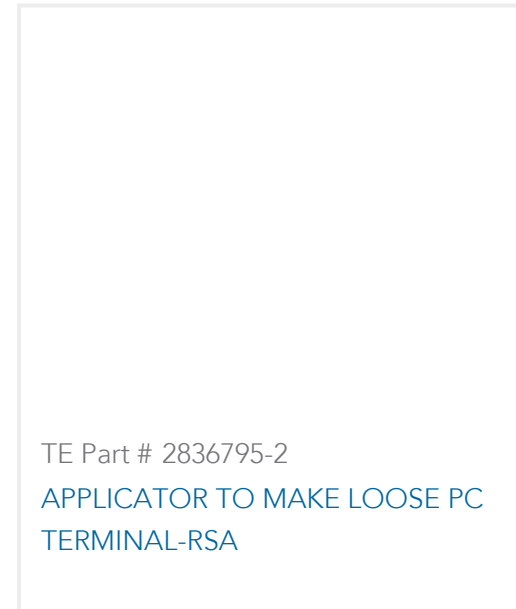
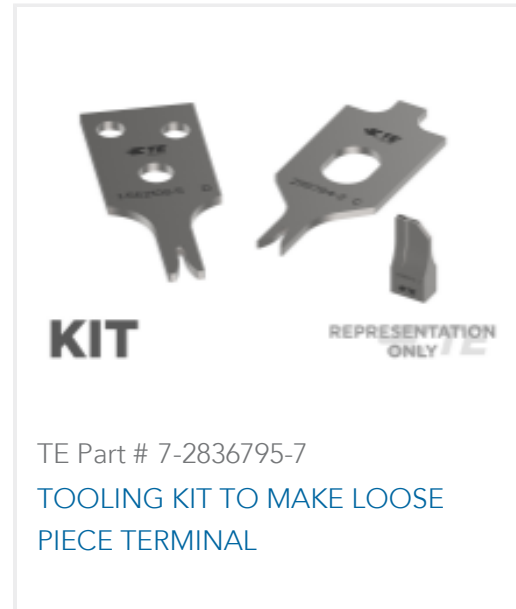
TE Part # 2151267-2  
OCEAN\_2.0\_APPLICATOR-S-080F100O-RSA



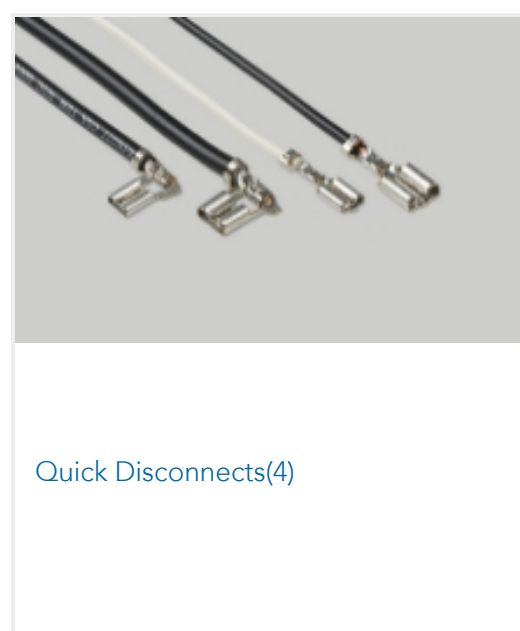
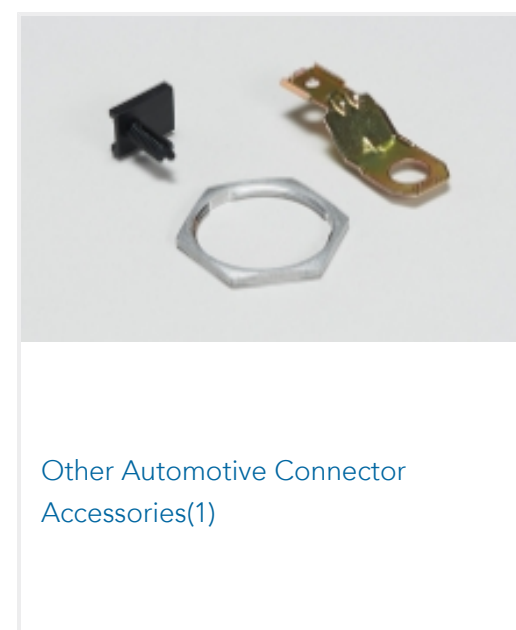
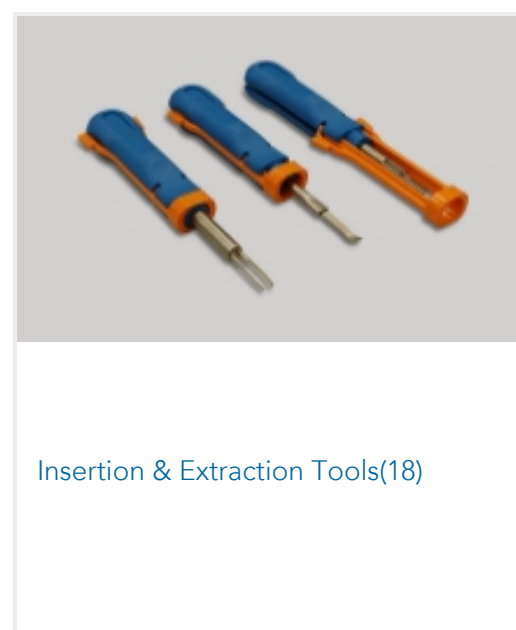
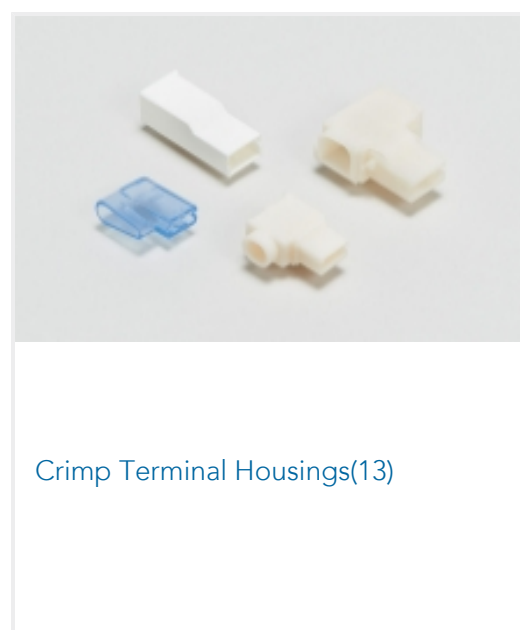
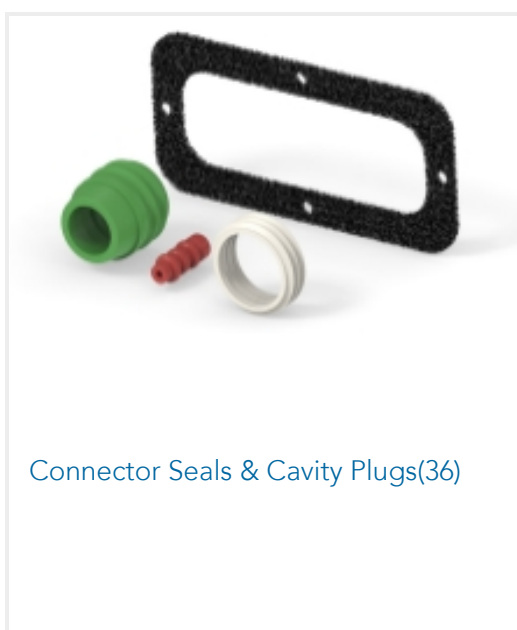
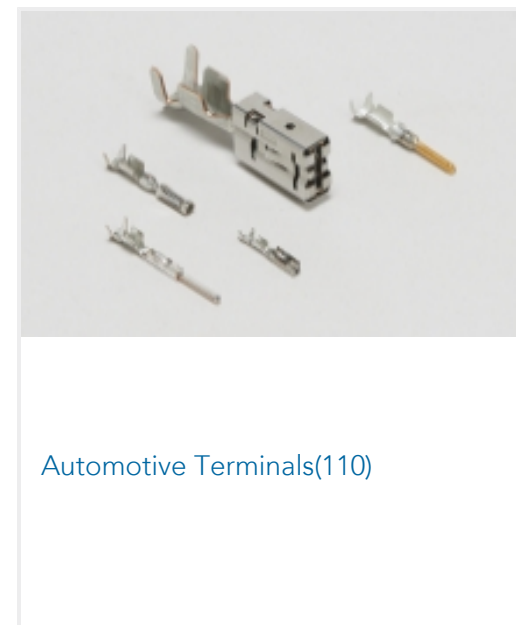
TE Part # 2305570-1  
Strip Terminal Cutter-Side Feed-No Crimp



TE Part # 2836795-1  
APPLICATOR TO MAKE LOOSE PC TERMINAL-RSM



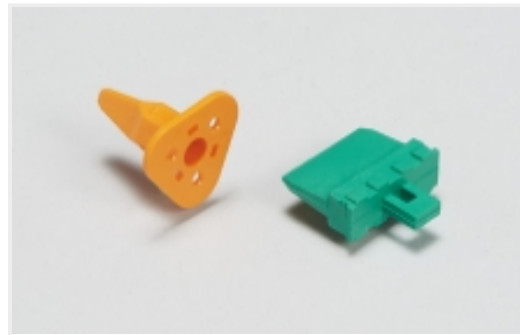
Also in the Series | **Timer Connector System**



Also in the Series | **Junior Power Timer**



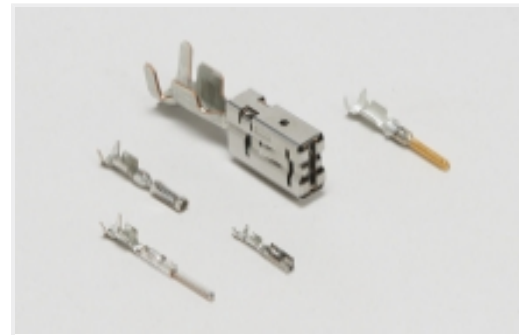
Automotive Connector Caps & Covers (9)



Automotive Connector Locks & Position Assurance(8)



Automotive Housings(306)



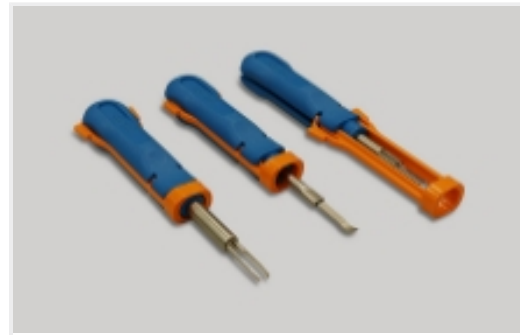
Automotive Terminals(153)



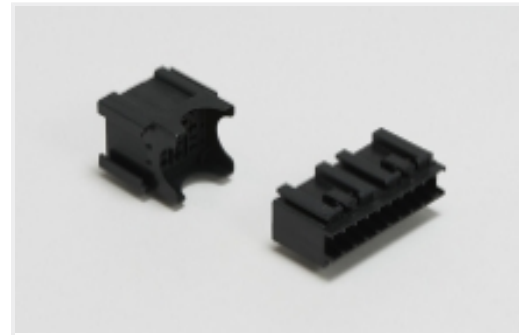
Busbars & Terminals(1)



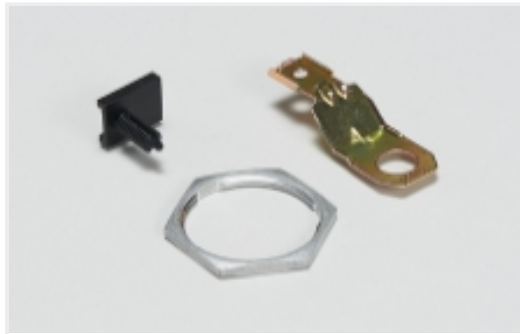
Connector Seals & Cavity Plugs(8)



Insertion & Extraction Tools(8)



Module Components(1)



Other Automotive Connector Accessories(2)

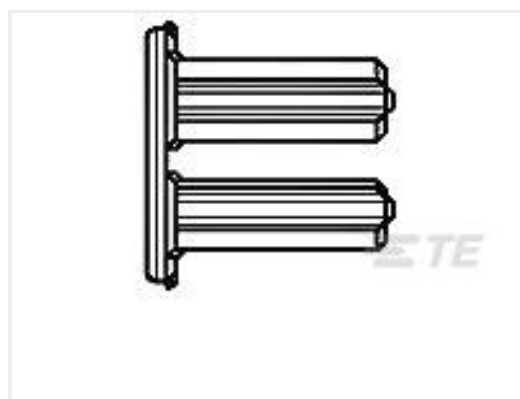


Special Purpose Terminals(2)

## Customers Also Bought



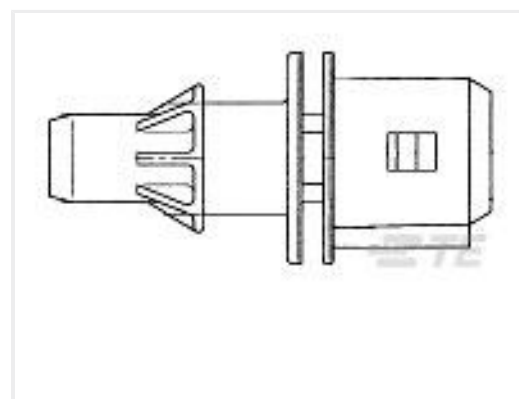
TE Part #1-967626-4  
Timer Connector Housing



TE Part #968271-1  
2. KONT-SICHERUNG 6P



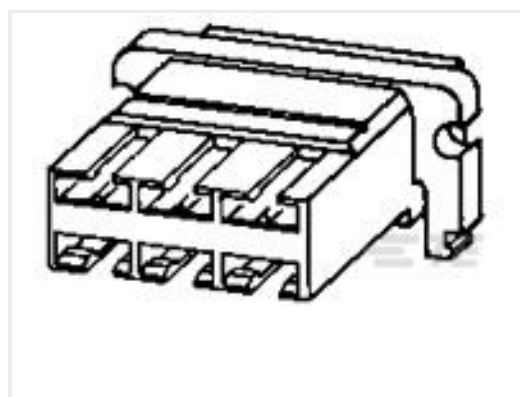
TE Part #927892-1  
FF 110 TAB 0.5-1 MM2 PTP CUSN30



TE Part #106462-1  
2P.FASTIN-ON HSG.



TE Part #928193-1  
FF 2.8MM TAB HSG 2P PBT BLACK



TE Part #962496  
FF 250 TAB HSG 1P NYLON CLEAR



TE Part #926986-2  
MNL BUCHSE 3,5 MM



TE Part #1-825437-5  
MOD 2 PINHDR 1X15P.

## Documents



### Product Drawings

[TAB 2.8x0.8 CONTACT CS SRC Ag](#)

English

[TAB 2.8x0.8 CONTACT CS SRC Ag](#)

English

---

### CAD Files

Customer View Model

[ENG\\_CVM\\_CVM\\_1-962841-2\\_F.2d\\_dxf.zip](#)

English

[3D PDF](#)

3D

Customer View Model

[ENG\\_CVM\\_CVM\\_1-962841-2\\_F.3d\\_igs.zip](#)

English

Customer View Model

[ENG\\_CVM\\_CVM\\_1-962841-2\\_F.3d\\_stp.zip](#)

English

By downloading the CAD file I accept and agree to the [Terms and Conditions](#) of use.

---

### Product Specifications

[Application Specification](#)

English

[Application Specification](#)

German

[Application Specification](#)

English

[Application Specification](#)

English