

1742188-1 ✓ ACTIVE

FASTON | FASTON 250

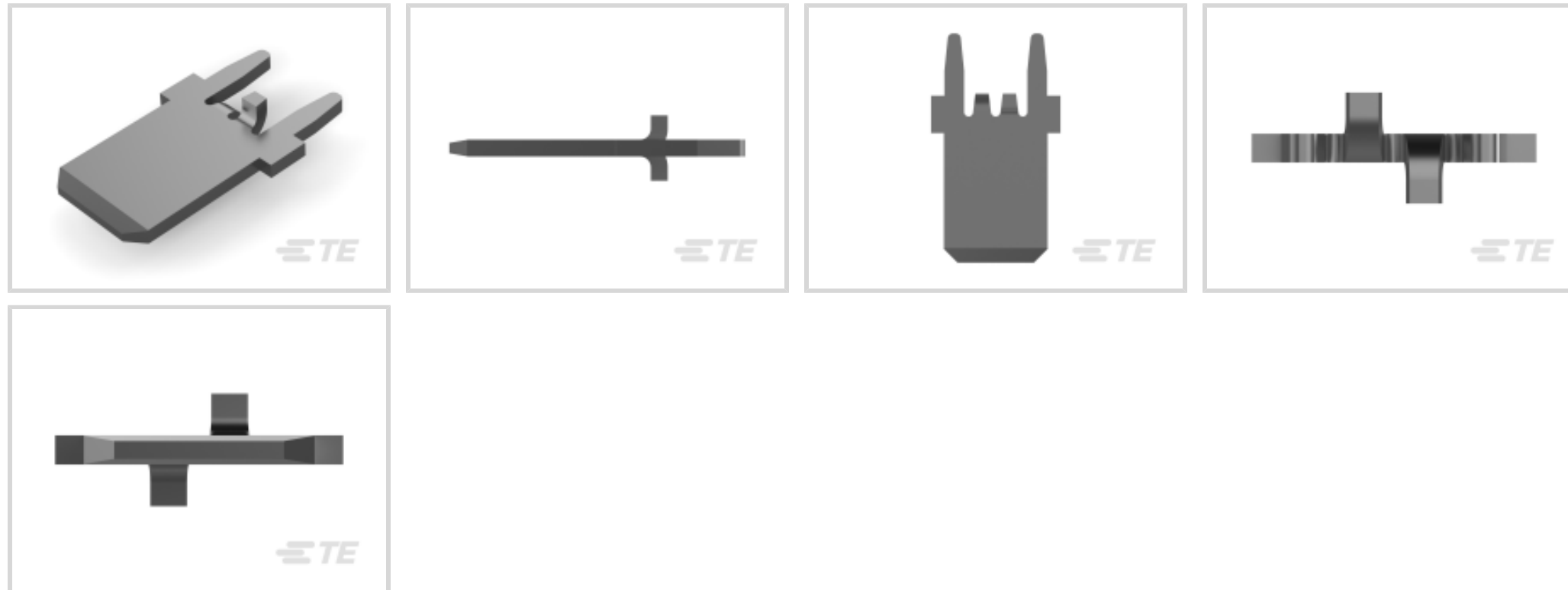
TE Internal #: 1742188-1

Tab, Mating Tab Width 6.35 mm [.25 in], PCB Hole Diameter 1.4 mm [.055 in], Through Hole - Solder, Tin Plating, Copper, Bag, FASTON 250, PCB Terminals

[View on TE.com >](#)



Terminals & Splices > PCB Terminals



PCB Terminal Type: **Tab**

PCB Thickness (Recommended): 1.57 mm [.062 in]

Mating Tab Width: 6.35 mm [.25 in]

Mating Tab Thickness: .8 mm [.031 in]

PCB Hole Diameter: 1.4 mm [.055 in]

Features

Configuration Features

Connection Capacity	Single
---------------------	--------

Usage Conditions

Insulation Option	Uninsulated
Operating Temperature Range	-30 – 110 °C[-22 – 230 °F]

Packaging Features

Packaging Quantity	500
Packaging Method	Bag

Dimensions

Extension Below Board	3.81 mm[.15 in]
Terminal Material Thickness	.8 mm[.031 in]
PCB Thickness (Recommended)	1.57 mm[.062 in]
PCB Hole Diameter	1.4 mm[.055 in]
Profile Height from PCB	10.21 mm[.402 in]



Contact Features

PCB Contact Termination Area Plating Material Thickness	3.81 μm [150 μin]
Contact Underplating Material Thickness	2.54 μm [100 μin]
Contact Mating Area Plating Material Thickness	3.81 μm [150 μin]
PCB Terminal Type	Tab
Mating Tab Width	6.35 mm[.25 in]
Mating Tab Thickness	.8 mm[.031 in]
Terminal Plating Material	Tin
Contact Underplating Material	Copper
Terminal Size	6.35
Terminal Orientation	Straight

Termination Features

Termination Method to PCB	Through Hole - Solder
Product Terminates To	Printed Circuit Board

Mechanical Attachment

Wire Insulation Support	Without
-------------------------	---------

Other

EU RoHS Compliance	Compliant
EU ELV Compliance	Compliant

Product Compliance

[For compliance documentation, visit the product page on TE.com>](#)

EU RoHS Directive 2011/65/EU	Compliant
EU ELV Directive 2000/53/EC	Compliant
China RoHS 2 Directive MIIT Order No 32, 2016	No Restricted Materials Above Threshold
EU REACH Regulation (EC) No. 1907/2006	Current ECHA Candidate List: JUNE 2024 (241) Candidate List Declared Against: JUNE 2024 (241) Does not contain REACH SVHC
Halogen Content	Low Halogen - Br, Cl, F, I < 900 ppm per homogenous material. Also BFR/CFR/PVC Free
Solder Process Capability	Wave solder capable to 265°C



Product Compliance Disclaimer

This information is provided based on reasonable inquiry of our suppliers and represents our current actual knowledge based on the information they provided. This information is subject to change. The part numbers that TE has identified as EU RoHS compliant have a maximum concentration of 0.1% by weight in homogenous materials for lead, hexavalent chromium, mercury, PBB, PBDE, DBP, BBP, DEHP, DIBP, and 0.01% for cadmium, or qualify for an exemption to these limits as defined in the Annexes of Directive 2011/65/EU (RoHS2). Finished electrical and electronic equipment products will be CE marked as required by Directive 2011/65/EU. Components may not be CE marked. Additionally, the part numbers that TE has identified as EU ELV compliant have a maximum concentration of 0.1% by weight in homogenous materials for lead, hexavalent chromium, and mercury, and 0.01% for cadmium, or qualify for an exemption to these limits as defined in the Annexes of Directive 2000/53/EC (ELV). Regarding the REACH Regulation, the information TE provides on SVHC in articles for this part number is based on the latest European Chemicals Agency (ECHA) 'Guidance on requirements for substances in articles' posted at this URL: <https://echa.europa.eu/guidance-documents/guidance-on-reach>

Compatible Parts



TE Part # 1217169-1
250 FASTON,PCB TAB,TCBR



TE Part # 1217167-1
250 FASTON,PCB TAB,TCBR



TE Part # 63849-1
250 FASTON TAB TPBR



TE Part # 1217156-1
187 FASTON,PCB TAB,TNBR



TE Part # 1742803-1
FASTON 312 PCB TAB TPBR



TE Part # 62747-1
FASTON 187 TAB STAKE TPBR



TE Part # 63900-1
250 FASTON TAB TPBR



TE Part # 60284-2
205 FASTON TAB TPBR



TE Part # 1742686-1
250 FASTON,PCB TAB,TCBR



TE Part # 1217754-1
250 FASTON,FLAG,PCB TAB,TNBR



TE Part # 1-725996-2
110 FASTON,FLAG,PCB TAB,TPBR



TE Part # 62262-1
250 FASTON TAB TPBR



TE Part # 62705-1
187 FASTON TAB TPBR



TE Part # 1-1217056-0
250 FASTON,PCB TAB,TPBR

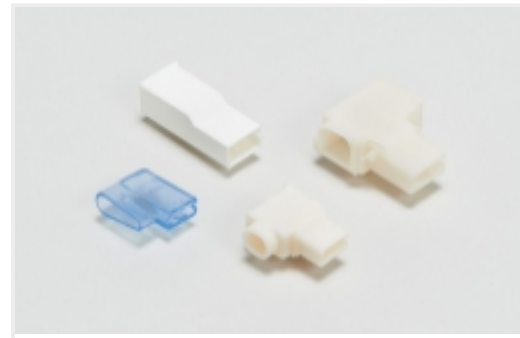


TE Part # 1217421-1
250 FASTON,PCB TAB,TNBR

Also in the Series | FASTON 250



Compression Connectors(4)



Crimp Terminal Housings(132)



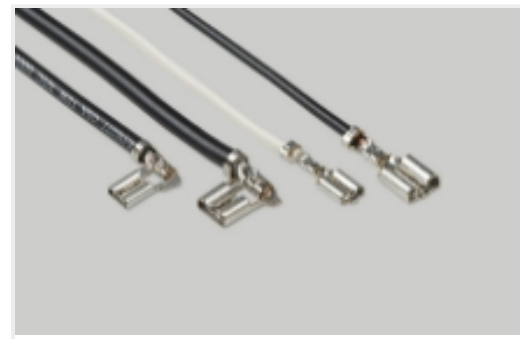
Insertion & Extraction Tools(6)



Magnet Wire Terminals(1)



PCB Terminals(134)

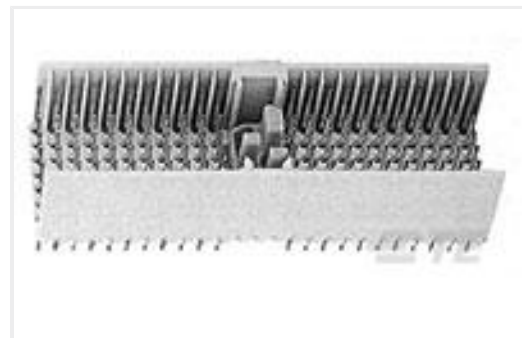


Quick Disconnects(425)



Splices(4)

Customers Also Bought



TE Part #5352332-1
2MM HM TYPE A MALE HDR 154 POS



TE Part #5120534-1
1FHP,64,30A/S,N,C,S10,12,13,15



TE Part #103414-1
03 MODII HDR SRST SHRD .100CL



TE Part #1410135-1
MULTIGIG RT T2 .8" BP FULL CNT



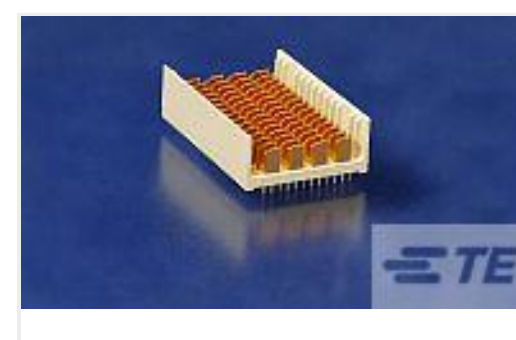
TE Part #5569263-1
STK MJ,8POS,2X6,SHLD,CAT5



TE Part #1410465-9
VITA 41 KEYED GUIDE MODULE



TE Part #5-146282-3
03 MODII HDR SRST B/A .100CL



TE Part #6469296-1
HM ZD 4 PAIR PIN ASSEMBLY, 5.3



TE Part #374385-E
STVTE 160 FI ABCDE VVVV 7-03 TL-S
** 1



TE Part #1410963-7
VITA 41 KEYED GUIDE PIN



Documents

Product Drawings

[250 FASTON,PCB TAB,TCBR](#)

English

CAD Files

[3D PDF](#)

3D

Customer View Model

[ENG_CVM_CVM_1742188-1_C_c-1742188-1-c.2d_dxf.zip](#)

English

Customer View Model

[ENG_CVM_CVM_1742188-1_C_c-1742188-1-c.3d_igs.zip](#)

English

Customer View Model

[ENG_CVM_CVM_1742188-1_C_c-1742188-1-c.3d_stp.zip](#)

English

By downloading the CAD file I accept and agree to the [Terms and Conditions](#) of use.

Datasheets & Catalog Pages

[FASTON PCB Tabs and Receptacles](#)

English

[PRINTED CIRCUIT BOARD TERMINALS AND DISCONNECTS](#)

English

Product Specifications

[Application Specification](#)

English

[Application Specification](#)

English