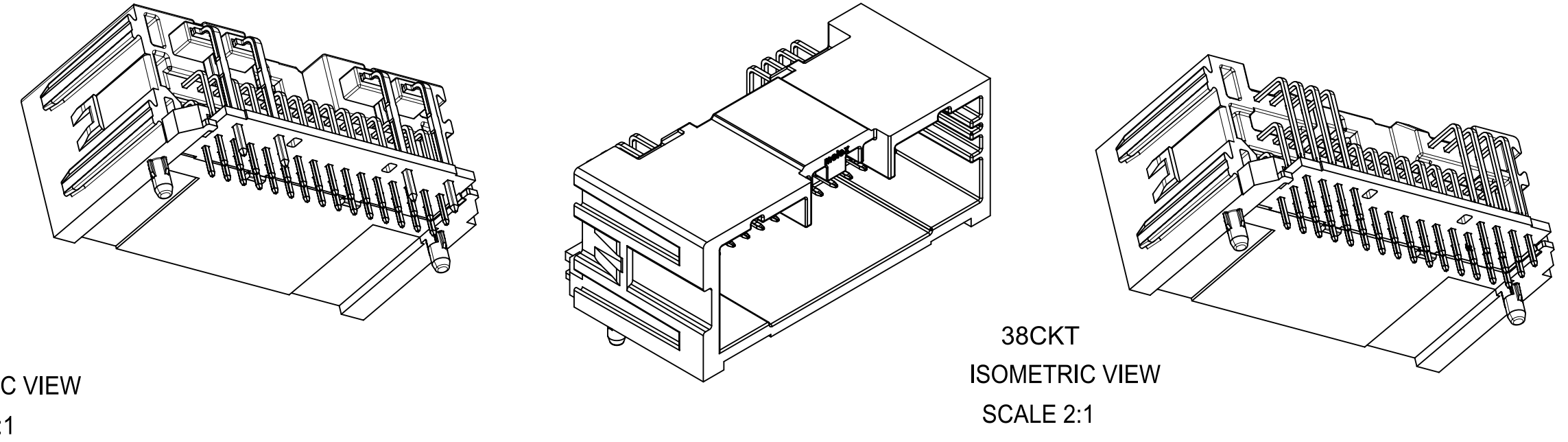
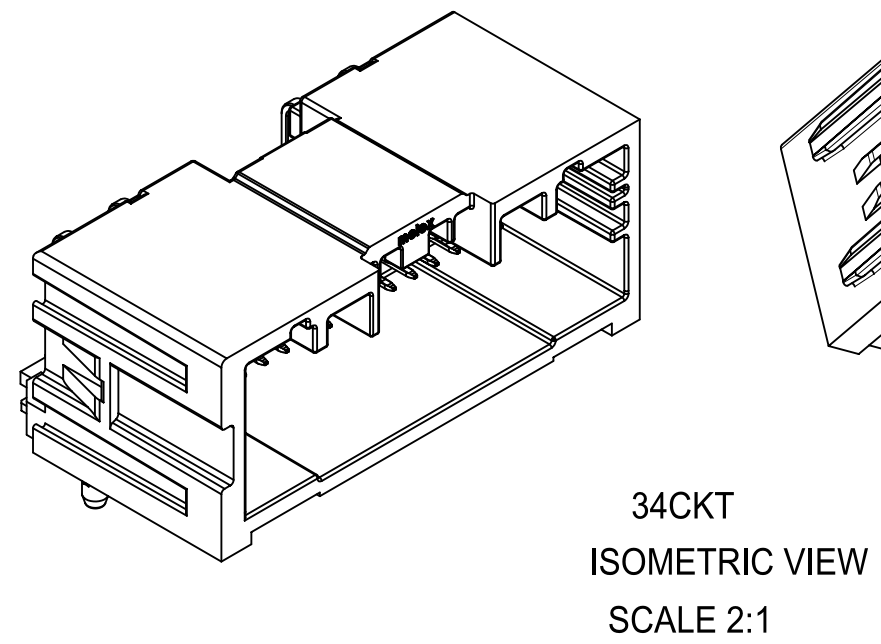


| TABLE OF CONTENTS | |
|-------------------|--|
| SHEET NO. | SHEET DESCRIPTION |
| 1 | NOTES, INSPECTION BALLOON NUMBER LOG, NOMINAL DIMENSION RANGE LIST, REV.COLUMN, HEADER ASSEMBLY LIST, ISOMETRIC VIEW |
| 2 | 34&38CKT POLARIZATION OPTION VIEW, HB/V0 HEADER DIFFERENCE VIEW |
| 3 | PIN INSERTION DIRECTION VIEW PAPER HOLE SHAPE VIEW |
| 4 | DETAIL DIMENSION VIEW |
| 5 | DETAIL DIMENSION VIEW |
| 6 | REFERENCE PCB LAYOUT |



MINI50 34/38CKT RIGHT ANGLE HEADER ASSEMBLY LIST

| MATERIAL NUMBER | | | CKT SIZE | PIN INSERTION DIRCTION | PAP HOLE SHAPE | FLAMMABILITY UL94 | POLARIZATION | COLOR | STATUS |
|-----------------------------|-----------------------------|-----------------------------|----------|------------------------|----------------|-------------------|--------------|---------|--------------------------|
| TRAY PACKAGING PK-31302-070 | TUBE PACKAGING PK-31301-688 | TAPE AND REEL PK-47799-0001 | | | | | | | |
| 34961-0340 | 34961-7340 | 34961-8340 | 34 | PCB TO MATING | ROUND | HB | A | BLACK | WILL BE OBSOLETE IN 2023 |
| 34961-0341 | 34961-7341 | 34961-8341 | 34 | PCB TO MATING | ROUND | HB | B | GREY | WILL BE OBSOLETE IN 2023 |
| 34961-0342 | 34961-7342 | 34961-8342 | 34 | PCB TO MATING | ROUND | HB | C | DK GREY | WILL BE OBSOLETE IN 2023 |
| 34961-0380 | 34961-7380 | 34961-8380 | 38 | PCB TO MATING | ROUND | HB | A | BLACK | OBSOLETE |
| 34961-0381 | 34961-7381 | 34961-8381 | 38 | PCB TO MATING | ROUND | HB | B | GREY | OBSOLETE |
| 34961-0382 | 34961-7382 | 34961-8382 | 38 | PCB TO MATING | ROUND | HB | C | DK GREY | OBSOLETE |
| 34961-0383 | 34961-7383 | 34961-8383 | 38 | PCB TO MATING | ROUND | HB | UPDATED A | BLACK | WILL BE OBSOLETE IN 2023 |
| 34961-0384 | 34961-7384 | 34961-8384 | 38 | PCB TO MATING | ROUND | HB | UPDATED B | GREY | WILL BE OBSOLETE IN 2023 |
| 34961-0385 | 34961-7385 | 34961-8385 | 38 | PCB TO MATING | ROUND | HB | UPDATED C | DK GREY | WILL BE OBSOLETE IN 2023 |
| 34961-0343 | 34961-7343 | 34961-8343 | 34 | MATING TO PCB | SQUARE | HB | A | BLACK | SALEABLE |
| 34961-0344 | 34961-7344 | 34961-8344 | 34 | MATING TO PCB | SQUARE | HB | B | GREY | SALEABLE |
| 34961-0345 | 34961-7345 | 34961-8345 | 34 | MATING TO PCB | SQUARE | HB | C | DK GREY | SALEABLE |
| 34961-0386 | 34961-7386 | 34961-8386 | 38 | MATING TO PCB | SQUARE | HB | UPDATED A | BLACK | SALEABLE |
| 34961-0387 | 34961-7387 | 34961-8387 | 38 | MATING TO PCB | SQUARE | HB | UPDATED B | GREY | SALEABLE |
| 34961-0388 | 34961-7388 | 34961-8388 | 38 | MATING TO PCB | SQUARE | HB | UPDATED C | DK GREY | SALEABLE |
| 2133550340 | 2133557340 | 2133558340 | 34 | PCB TO MATING | ROUND | V0 | A | BLACK | WILL BE OBSOLETE IN 2023 |
| 2133550341 | 2133557341 | 2133558341 | 34 | PCB TO MATING | ROUND | V0 | B | GREY | WILL BE OBSOLETE IN 2023 |
| 2133550342 | 2133557342 | 2133558342 | 34 | PCB TO MATING | ROUND | V0 | C | DK GREY | WILL BE OBSOLETE IN 2023 |
| 2133550380 | 2133557380 | 2133558380 | 38 | PCB TO MATING | ROUND | V0 | UPDATED A | BLACK | WILL BE OBSOLETE IN 2023 |
| 2133550381 | 2133557381 | 2133558381 | 38 | PCB TO MATING | ROUND | V0 | UPDATED B | GREY | WILL BE OBSOLETE IN 2023 |
| 2133550382 | 2133557382 | 2133558382 | 38 | PCB TO MATING | ROUND | V0 | UPDATED C | DK GREY | WILL BE OBSOLETE IN 2023 |
| 2133550343 | 2133557343 | 2133558343 | 34 | MATING TO PCB | SQUARE | V0 | A | BLACK | SALEABLE |
| 2133550344 | 2133557344 | 2133558344 | 34 | MATING TO PCB | SQUARE | V0 | B | GREY | SALEABLE |
| 2133550345 | 2133557345 | 2133558345 | 34 | MATING TO PCB | SQUARE | V0 | C | DK GREY | SALEABLE |
| 2133550383 | 2133557383 | 2133558383 | 38 | MATING TO PCB | SQUARE | V0 | UPDATED A | BLACK | SALEABLE |
| 2133550384 | 2133557384 | 2133558384 | 38 | MATING TO PCB | SQUARE | V0 | UPDATED B | GREY | SALEABLE |
| 2133550385 | 2133557385 | 2133558385 | 38 | MATING TO PCB | SQUARE | V0 | UPDATED C | DK GREY | SALEABLE |

NOTES: VALID UNLESS OTHERWISE SPECIFIED
1. GENERAL:

a. CONNECTOR HEADER MUST BE VALIDATED TO THE FOLLOWING FUNCTIONAL REQUIREMENTS:
HB VALIDATION SPECIFICATION: GMW3191 JUNE 2012
V0 VALIDATION SPECIFICATION: USCAR-2 REV6
SOLDERABILITY: SMES-152

b. APPLICATION SPECIFICATION: AS-34959-001
TEST SUMMARY:
HB: TS-34961-001
V0: 2133550000-TS
PRODUCT SPECIFICATION:
HB: PS-34959-001
V0: 2133550000-PS
COSMETIC SPECIFICATION: PS-45499-002 Class B
GEOMETRIC TOLERANCING: SEE DIN 16901 TABLE
MATES WITH: SD-34959-030
PACKAGING SPECIFICATION: SEE TABLE.

2. DESIGN: MATERIALS:

a. SHROUD (PLASTIC HOUSING):
HB RESIN - SPS
V0 RESIN - SPS

b. PIN ALIGNMENT PLATE:
HB RESIN - SPS
V0 RESIN - SPS

c. 0.50MM BLADES:
BASE MATERIAL: BRASS
PLATING TYPE: AS NOTED

d. 1.20MM BLADES:
BASE MATERIAL: BRASS
PLATING TYPE: AS NOTED

3. PLATING REQUIREMENTS:

a. UNDERPLATING - OVERALL NICKEL

b. OVERPLATING - OVERALL REFLOWED TIN

4. CROSS-HATCHED AREAS MAKE CONTACT WITH PCB

| REV | REV DESCRIPTION | ECN SAP NO. |
|-----|--|--------------|
| K | SHEET 5: ADDED DIM28 TO DIM37 ALL SHEET: UPDATED PRODUCT VIEWS | CO-000000686 |
| J6 | CREATED NEW REVISION TO UPLOAD DRAWING IN MDS SYSTEM | CO-000000910 |
| J5 | SHEET 1: ADDED NEW PART NUMBER IN TABLE SHEET 1: ADDED NOTE 4 SHEET 3: ADDED SHEET TO SHOW PIN INSERTION DIRECTION VIEW AND PAPER HOLE SHAPE VIEW | CO-000000910 |
| J4 | SHEET 3: UPDATED BALLOON NUMBER | 668374 |
| J3 | 1. SHEET 1: UPDATED NOTES INFORMATION 2. SHEET 3: ADDED "BEFORE SOLDERING" NOTE TO DIM 3 3. SHEET 3: ADDED DIM 3A | 663659 |
| J2 | 1. SHEET 1: UPDATED NOTES INFORMATION 2. SHEET 1: UPDATED V0 PRODUCT STATUS 3. SHEET 4: DIM 3: 10.77±0.18 WAS 10.77(+0.13/-0.08) 4. SHEET 5: REMOVED BALLOON NUMBER FOR DIMENSION OF PCB LAYOUT | 658910 |
| J1 | 1. UPDATED BELOW PART NUMBER STATUS TO OBSOLETE: 34961-0380, 34961-7380, 34961-8380 34961-0381, 34961-7381, 34961-8381 34961-0382, 34961-7382, 34961-8382 2. UPDATED BELOW V0 PART NUMBER STATUS TO SALEABLE: 2133550340, 2133557340, 2133558340 3. ADDED V0 VALIDATION SPECIFICATION & V0 PRODUCT SPECIFICATION INFORMATION IN NOTES | 631858 |
| J | 1. ADDED V0 NEW PART NUMBER IN SHEET 1: 2133550340, 2133550341, 2133550342, 2133550380, 2133550381, 2133550382 2133557340, 2133557341, 2133557342, 2133557380, 2133557381, 2133557382 2133558340, 2133558341, 2133558342, 2133558380, 2133558381, 2133558382 2. ADDED SHEET 2 TO SHOW 34&38CKT POLARIZATION OPTION & HB / V0 VERSION DIFFERENCE 3. ADDED V0 PLASTIC MATERIAL INFORMATION IN NOTES | 626237 |
| H1 | 1. UPDATED NEWEST VIEW OF THE POLARIZATION OPTION UPDATED A & B C. 2. ADDED DIM1A, DIM 3A, DIM 6A, DIM 7A. 3. UPDATED PRODUCT STATUS. 4. UPDATED DIM 26: 0.4±0.03 WAS 0.4±0.10 | 609559 |
| H | ADDED THE FOLLOW ITEMS TO CUSTOMER DRAWING: 1. ADDED DATUM F, DATUM G AND DATUM H, SEE SHEET 2 AND SHEET 3. 2. ADDED NEW UPWARD VIEW FOR 38WAY HEADER ASSEM, SEE SHEET 2. 3. ADDED NEW VIEW SECTION X-X, SECTION Y-Y, SECTION Z-Z AND SECTION W-W, SEE SHEET 3. | 10904363 |
| G | ADDED NEW VIEW OF UPDATED POL A & B C, SEE SHEET 1. ADDED NEW P/N: 34961-0383 \ 34961-0384 \ 34961-0385 \ 34961-7383 \ 34961-7384 \ 34961-7385 \ 34961-8383 \ 34961-8384 \ 34961-8385 IN THE BOM ON SHEET 1. ADDED PRODUCT STATUS IN BOM. | 10885609 |

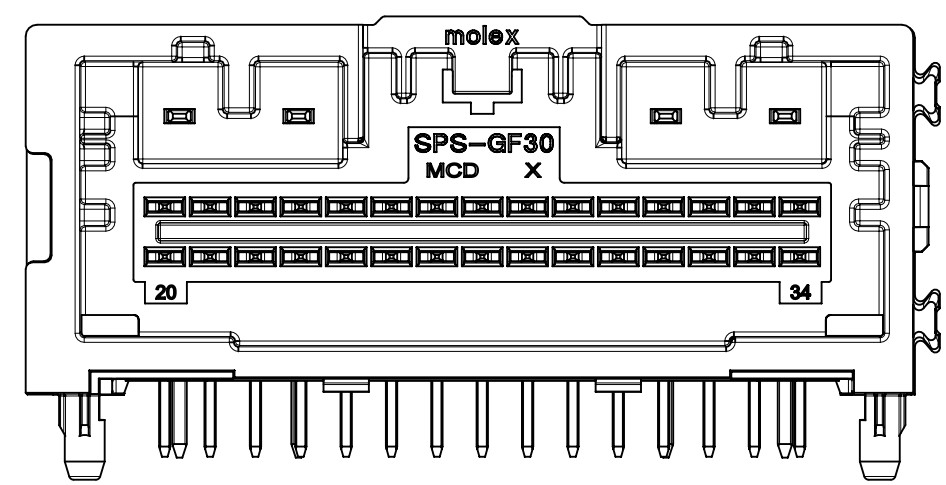
INSPECTION BALLOON NUMBER LOG
PER DRAWING REVISION: K
LAST BALLOON NUMBER USED: 37
ADDED BALLOON NUMBERS: 28-37
REMOVED BALLOON NUMBERS:

| DIN 16901 | CODE LETTER | NOMINAL DIMENSION RANGE | | | | | | | | | | | | | |
|-----------------------|-------------|-------------------------|-------|-------|-------|-------|-------|-------|-------|-------|-------|-------|-------|-------|-------|
| | | OVER UP TO | 0 | 1 | 3 | 6 | 10 | 15 | 22 | 30 | 40 | 53 | 70 | 90 | 120 |
| PRECISION ENGINEERING | A | | ±0.10 | ±0.12 | ±0.14 | ±0.16 | ±0.20 | ±0.22 | ±0.24 | ±0.26 | ±0.28 | ±0.31 | ±0.35 | ±0.40 | ±0.50 |
| | B | | ±0.05 | ±0.06 | ±0.07 | ±0.08 | ±0.10 | ±0.12 | ±0.14 | ±0.16 | ±0.18 | ±0.21 | ±0.25 | ±0.30 | ±0.40 |

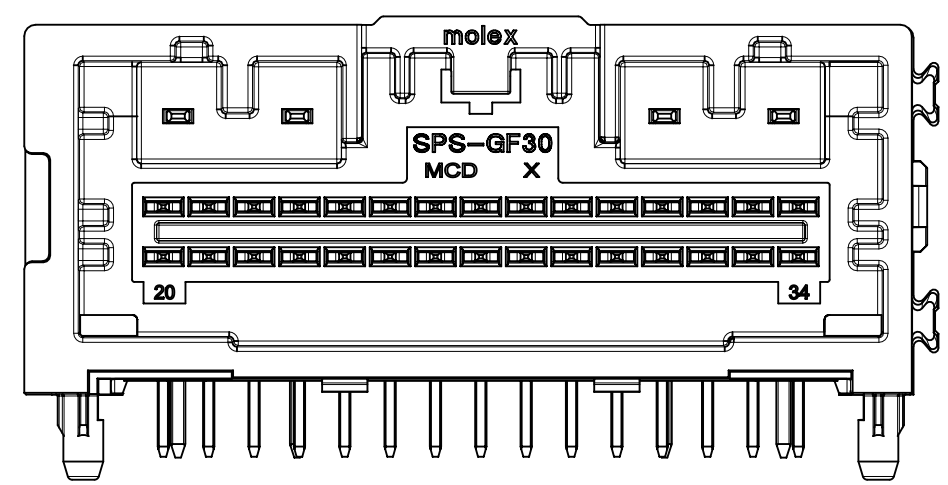
A: FOR NON-MOLD RELATED DIMENSIONS (ACROSS PARTING LINE)
B: FOR MOLD RELATED DIMENSIONS (WITHIN MOLD COMPONENTS)

| | | | | | |
|--|---|--|-----------------|---|---|
| FUNCTIONAL SYMBOLS FA = 0 FE = 0 FP = 0 | THIS DRAWING CONTAINS INFORMATION THAT IS PROPRIETARY TO MOLEX ELECTRONIC TECHNOLOGIES, LLC AND SHOULD NOT BE USED WITHOUT WRITTEN PERMISSION | DIMENSION UNITS: mm | SCALE: 2:1 | CURRENT REV DESC: REFER TO REVISION COLUMN | |
| | GENERAL TOLERANCES (UNLESS SPECIFIED) | ANGULAR TOL ± 0.5° | | PHASE: Design Production CO NO: CO-000000686 | |
| DIVISIONAL SYMBOLS | 4 PLACES ± | 3 PLACES ± | | DRWN: Shanks Wu 2022-09-14 | |
| | 2 PLACES ± | 1 PLACE ± | | CHK'D: Ringo Hu 2022-09-27 | |
| | 0 PLACES ± | DRAFT WHERE APPLICABLE MUST REMAIN WITHIN DIMENSIONS | | APPR: Colin Zhang 2022-09-29 | |
| | | THIRD ANGLE PROJECTION | DRAWING: D-SIZE | SERIES: 34961 | INITIAL REVISION: DRWN: Shanks Wu 2022-04-25 APPR: Colin Zhang 2022-05-05 |
| | | | | MATERIAL NUMBER: SD-34961-030 | DOCUMENT NUMBER: PSD 001 K |
| | | | | CUSTOMER: GENERAL MARKET | DOC TYPE: DOC PART REVISION |
| | | | | | SHEET NUMBER: 1 OF 6 |

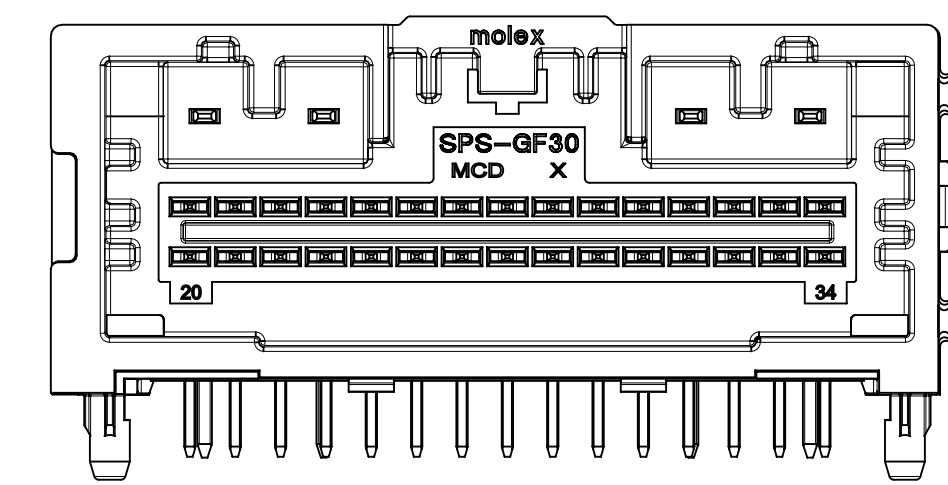
| TABLE OF CONTENTS | |
|-------------------|---|
| SHEET NO. | SHEET DESCRIPTION |
| 2 | 34&38CKT POLARIZATION OPTION VIEW HB/V0 HEADER DIFFERENCE VIEW |



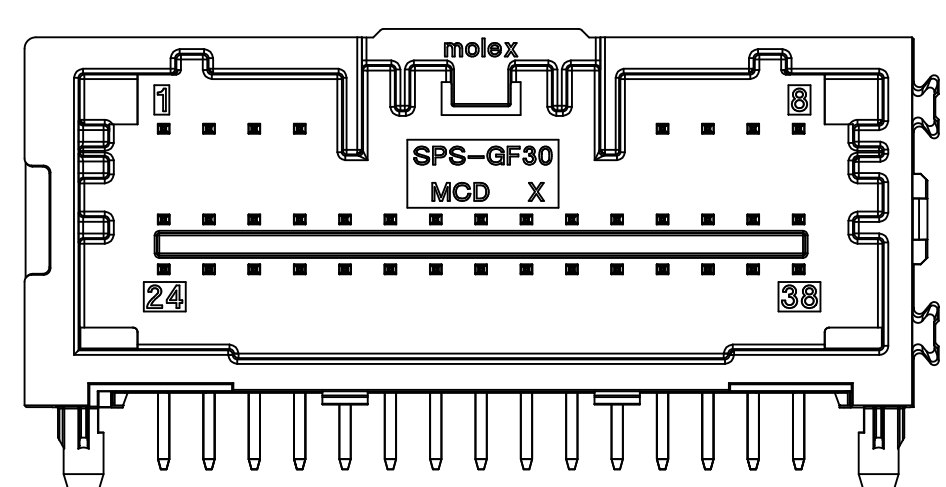
34CKT POLARIZATION OPTION A



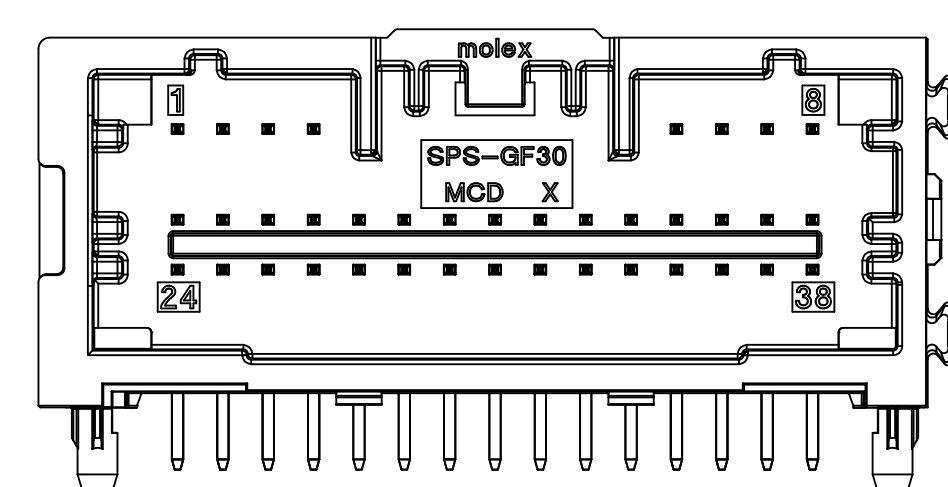
34CKT POLARIZATION OPTION B



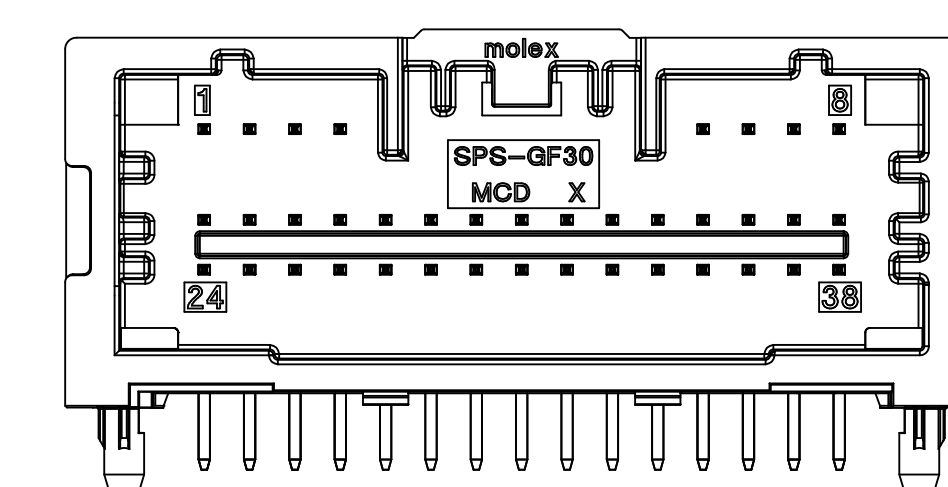
34CKT POLARIZATION OPTION C



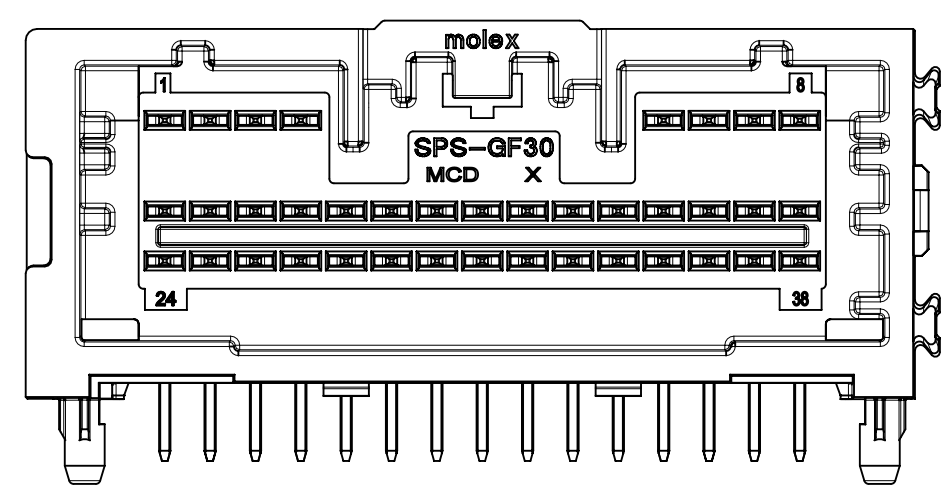
38CKT POLARIZATION OPTION A
(OBSOLETE)



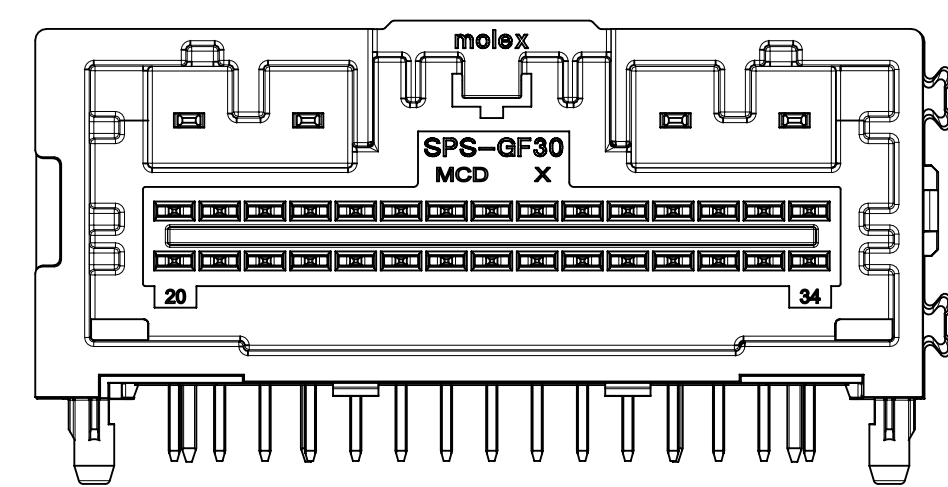
38CKT POLARIZATION OPTION B
(OBSOLETE)



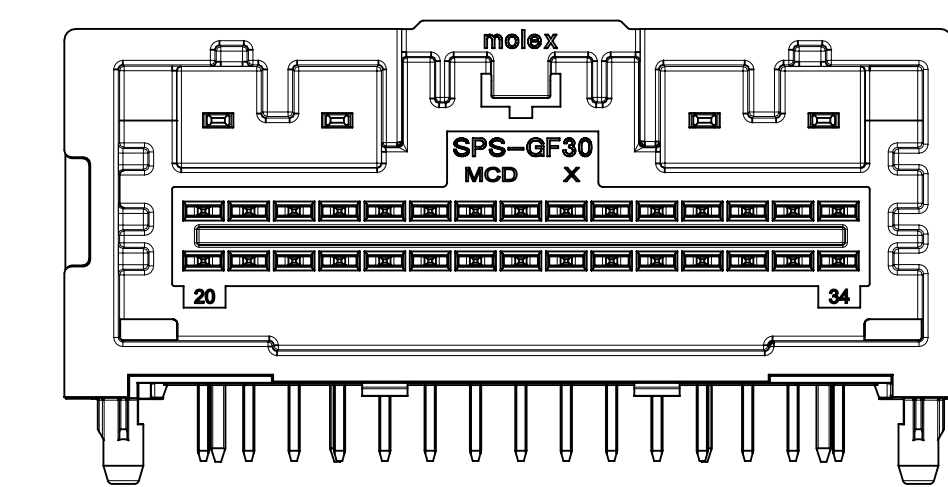
38CKT POLARIZATION OPTION C
(OBSOLETE)



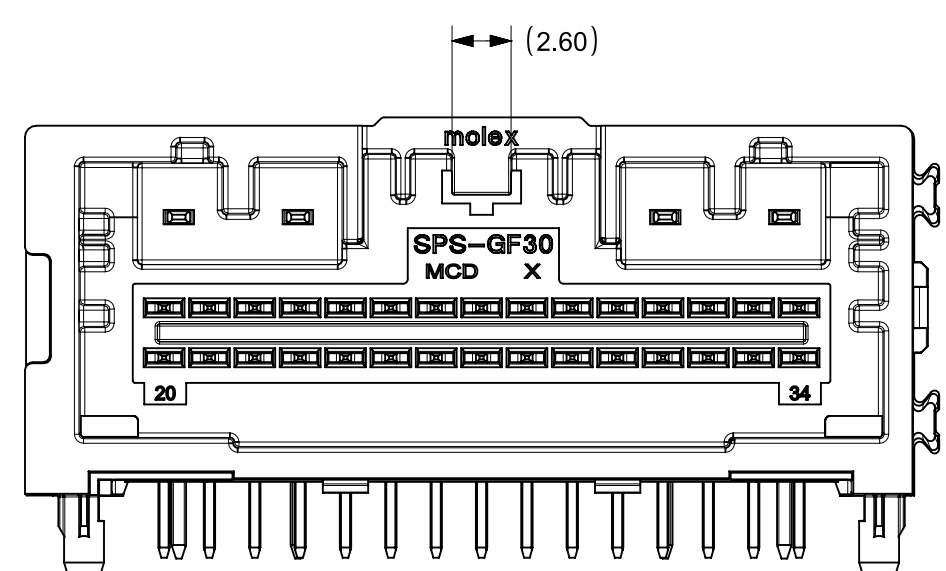
38CKT POLARIZATION OPTION UPDATED A



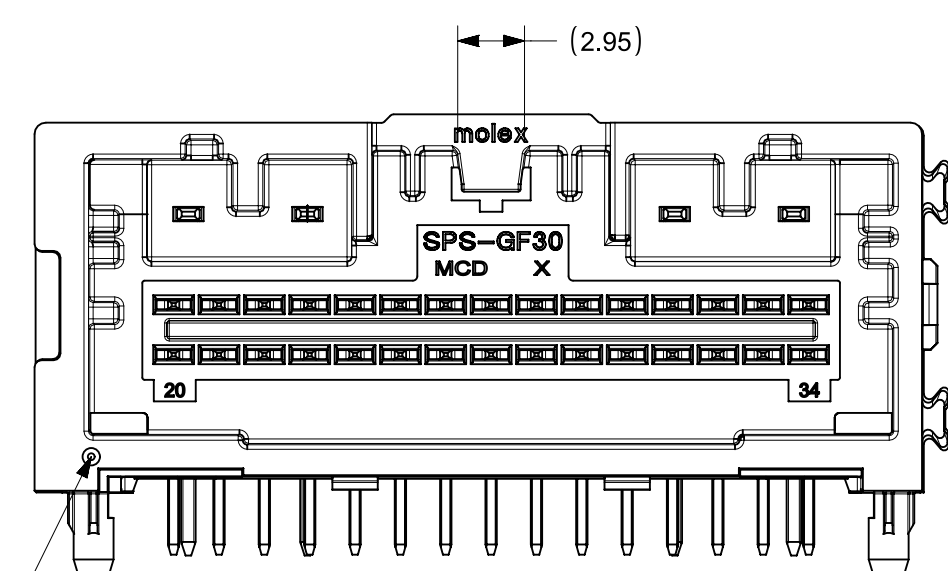
38CKT POLARIZATION OPTION UPDATED B



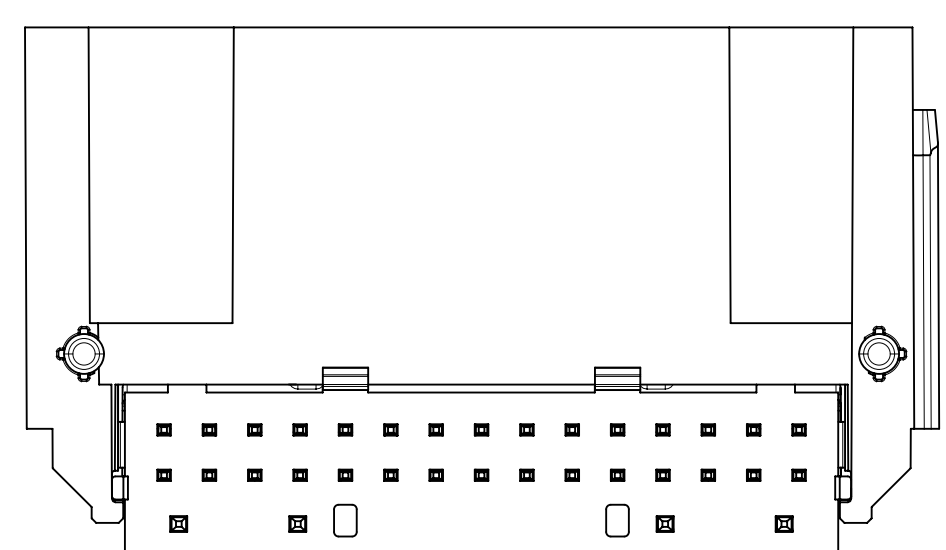
38CKT POLARIZATION OPTION UPDATED C



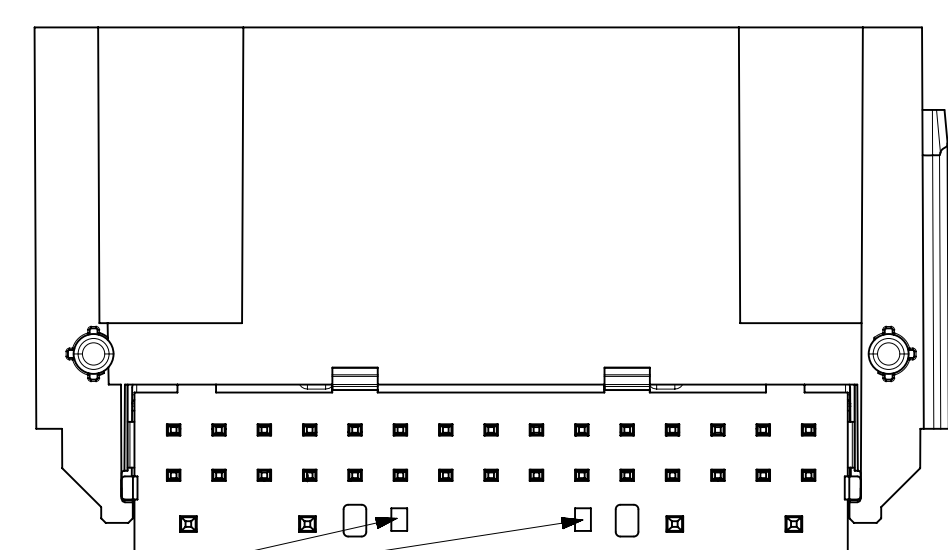
HB / V0 VERSION DIFFERENCE



DEPRESSION FEATURE ADDED TO V0 PART TO DISTINGUISH FROM HB PART



HB P/Ns: 34961XXXX
APPLIES TO ALL CKT SIZES, USE 34CKT AS SHOWN



HOLE FEATURE ADDED TO V0 PART TO DISTINGUISH FROM HB PART
V0 P/Ns: 213355XXXX
APPLIES TO ALL CKT SIZES, USE 34CKT AS SHOWN

| | | | | |
|--|---|--------------------|--|----------------|
| FUNCTIONAL SYMBOLS | THIS DRAWING CONTAINS INFORMATION THAT IS PROPRIETARY TO MOLEX ELECTRONIC TECHNOLOGIES, LLC AND SHOULD NOT BE USED WITHOUT WRITTEN PERMISSION | | CURRENT REV DESC: REFER TO REVISION COLUMN | |
| | FA = 0 | mm | SCALE | 3:1 |
| DIVISIONAL SYMBOLS | GENERAL TOLERANCES (UNLESS SPECIFIED) | | PHASE: Design Production | |
| | FC = 0 | ANGULAR TOL ± 0.5° | CO NO: CO-00000686 | |
| DIVISIONAL SYMBOLS | 4 PLACES | ± | DRWN: Shanks Wu | 2022-09-14 |
| | 3 PLACES | ± | CHK'D: Ringo Hu | 2022-09-27 |
| | 2 PLACES | ± | APPR: Colin Zhang | 2022-09-29 |
| | 1 PLACE | ± | INITIAL REVISION: | |
| DRAFT WHERE APPLICABLE MUST REMAIN WITHIN DIMENSIONS | 0 PLACES | ± | DRWN: Shanks Wu | 2022-04-25 |
| | THIRD ANGLE PROJECTION | | APPR: Colin Zhang | 2022-05-05 |
| DRAWING | | SERIES | MATERIAL NUMBER | CUSTOMER |
| D-SIZE | | 34961 | SD-34961-030 | GENERAL MARKET |
| SHEET NUMBER | | 2 OF 6 | | |

molex

34 & 38CKT MINI50
RIGHT ANGLE HEADER ASSEMBLY SALES DRAWING

PRODUCT SALES DRAWING

DOCUMENT NUMBER: SD-34961-030 | DOC TYPE: PSD | DOC PART: 001 | REVISION: K

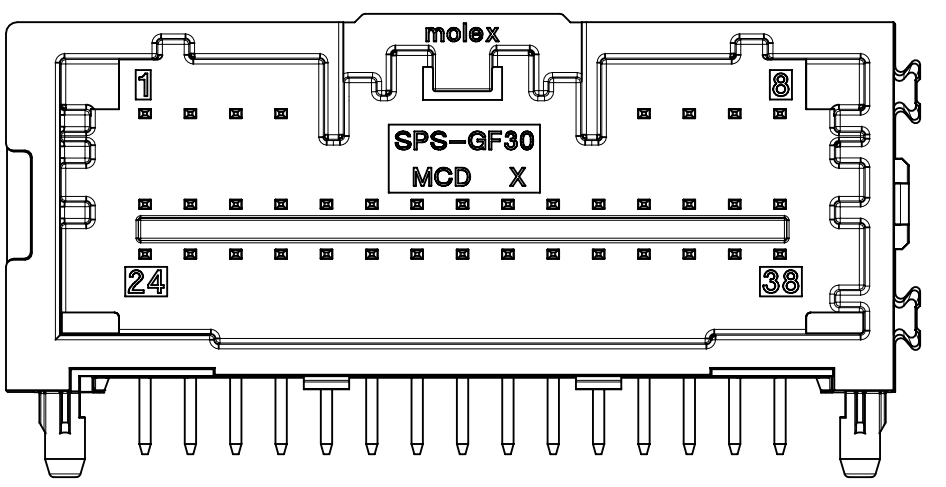
INITIAL REVISION: DRWN: Shanks Wu | 2022-04-25 | APPR: Colin Zhang | 2022-05-05

THIRD ANGLE PROJECTION

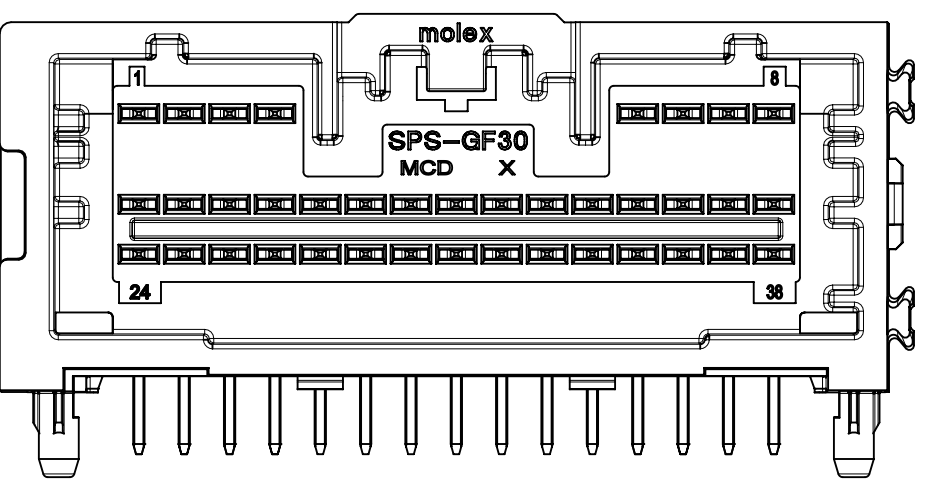
SHEET NUMBER: 2 OF 6

| TABLE OF CONTENTS | |
|-------------------|---|
| SHEET NO. | SHEET DESCRIPTION |
| 3 | PIN INSERTION DIRECTION VIEW PAP HOLE SHAPE VIEW |

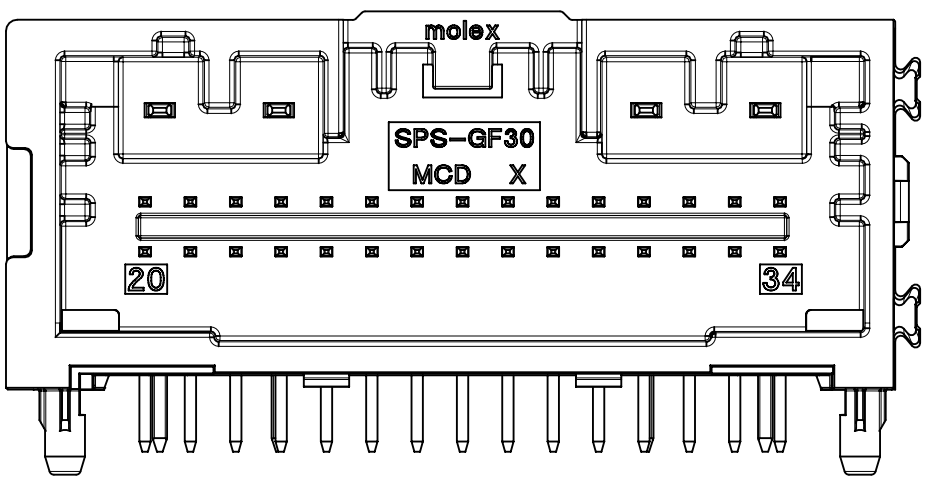
PIN INSERTION DIRECTION VIEW



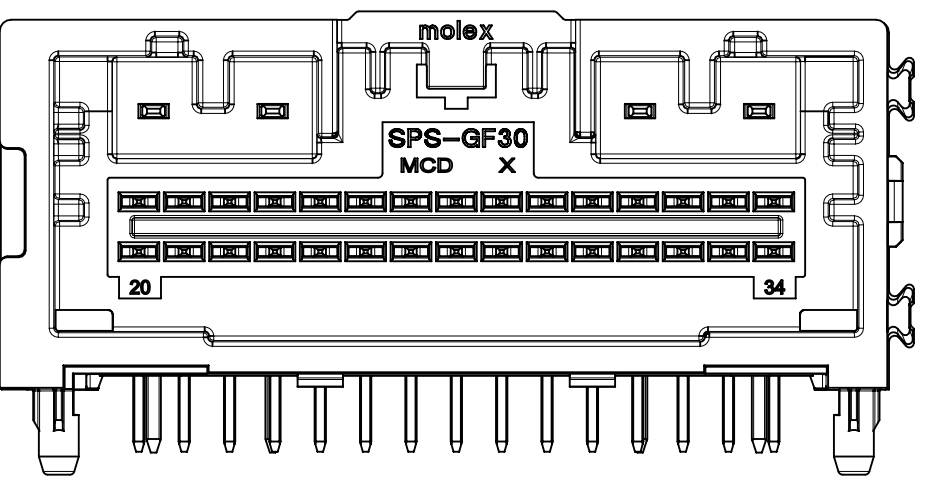
38CKT PIN INSERTION DIRECTION
PCB SIDE TO MATING SIDE



38CKT PIN INSERTION DIRECTION
MATING SIDE TO PCB SIDE

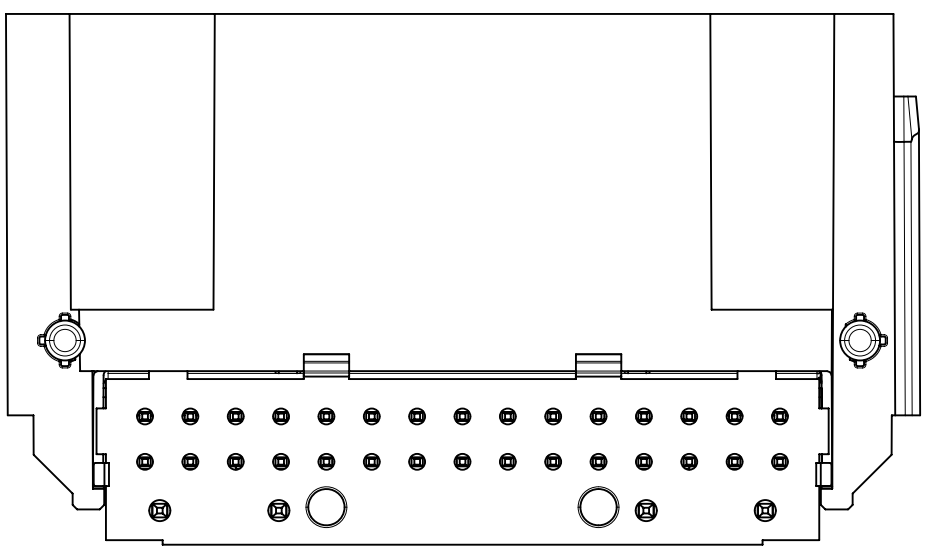


34CKT PIN INSERTION DIRECTION
PCB SIDE TO MATING SIDE

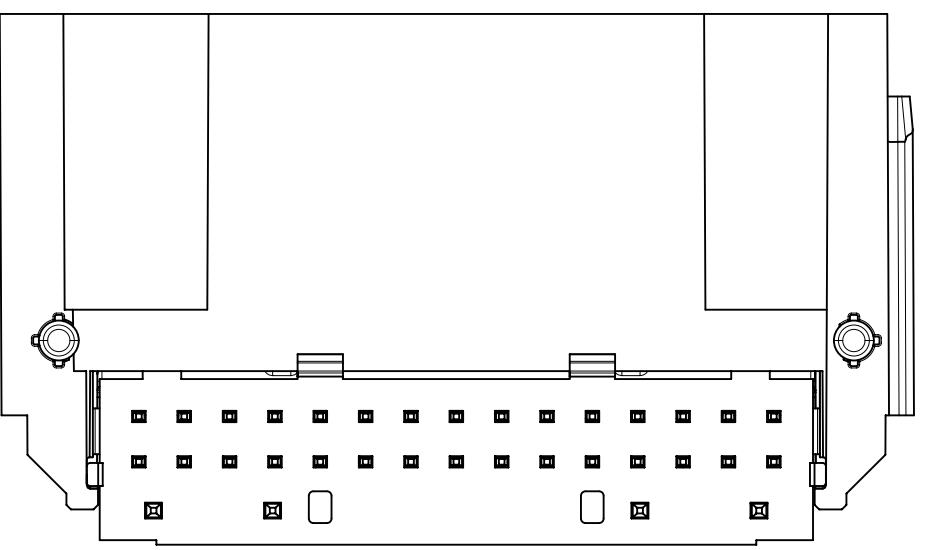


34CKT PIN INSERTION DIRECTION
MATING SIDE TO PCB SIDE

PAP HOLE SHAPE VIEW



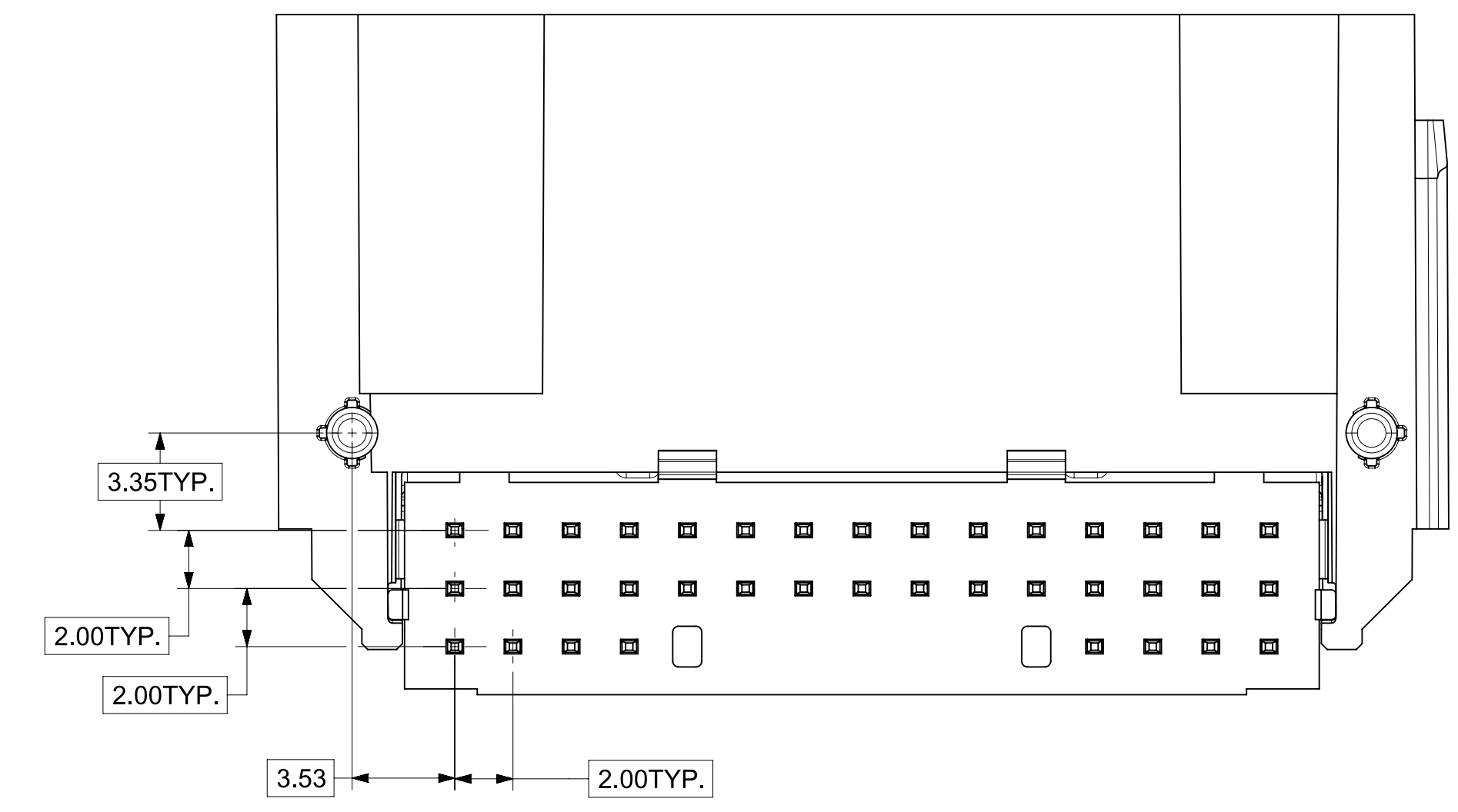
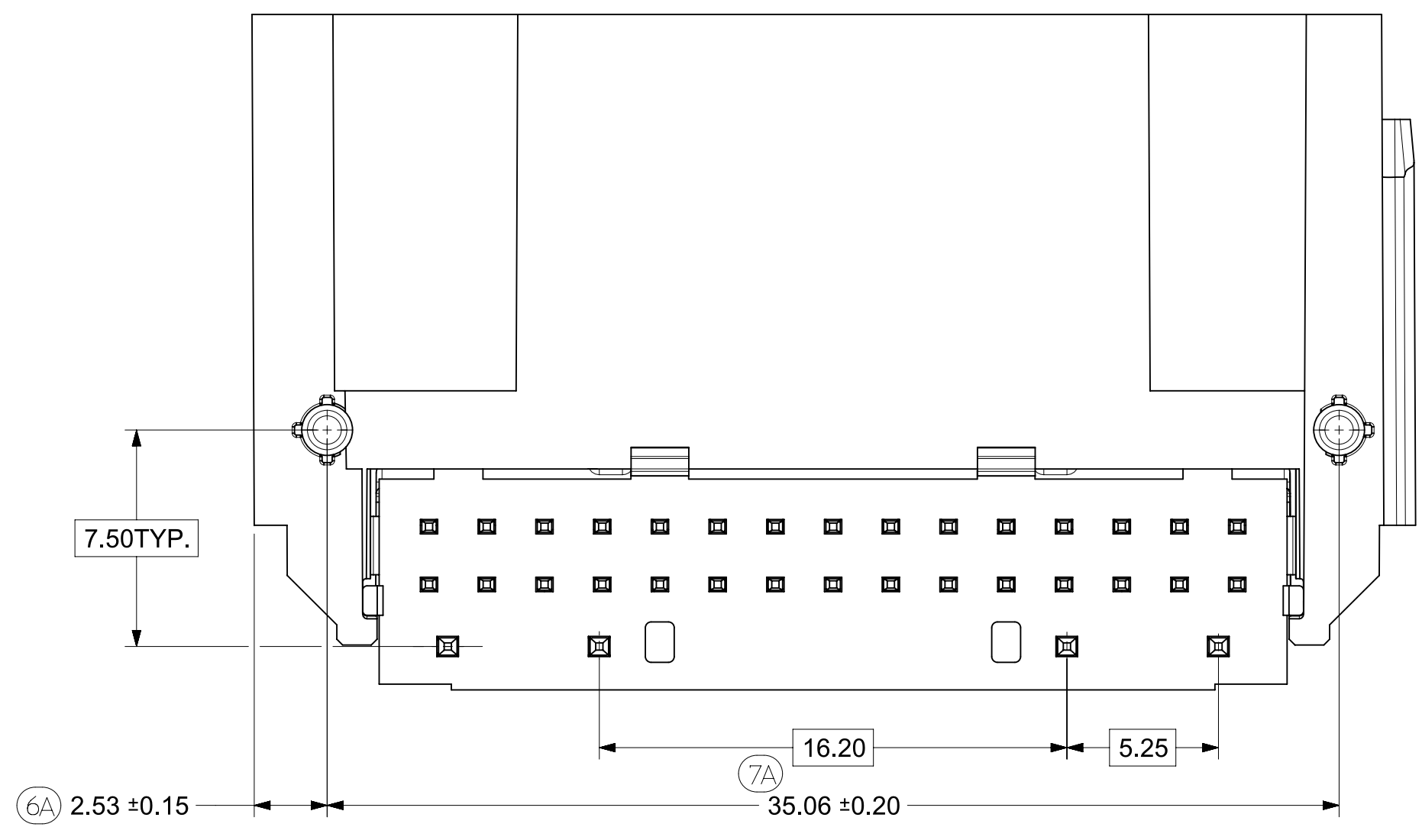
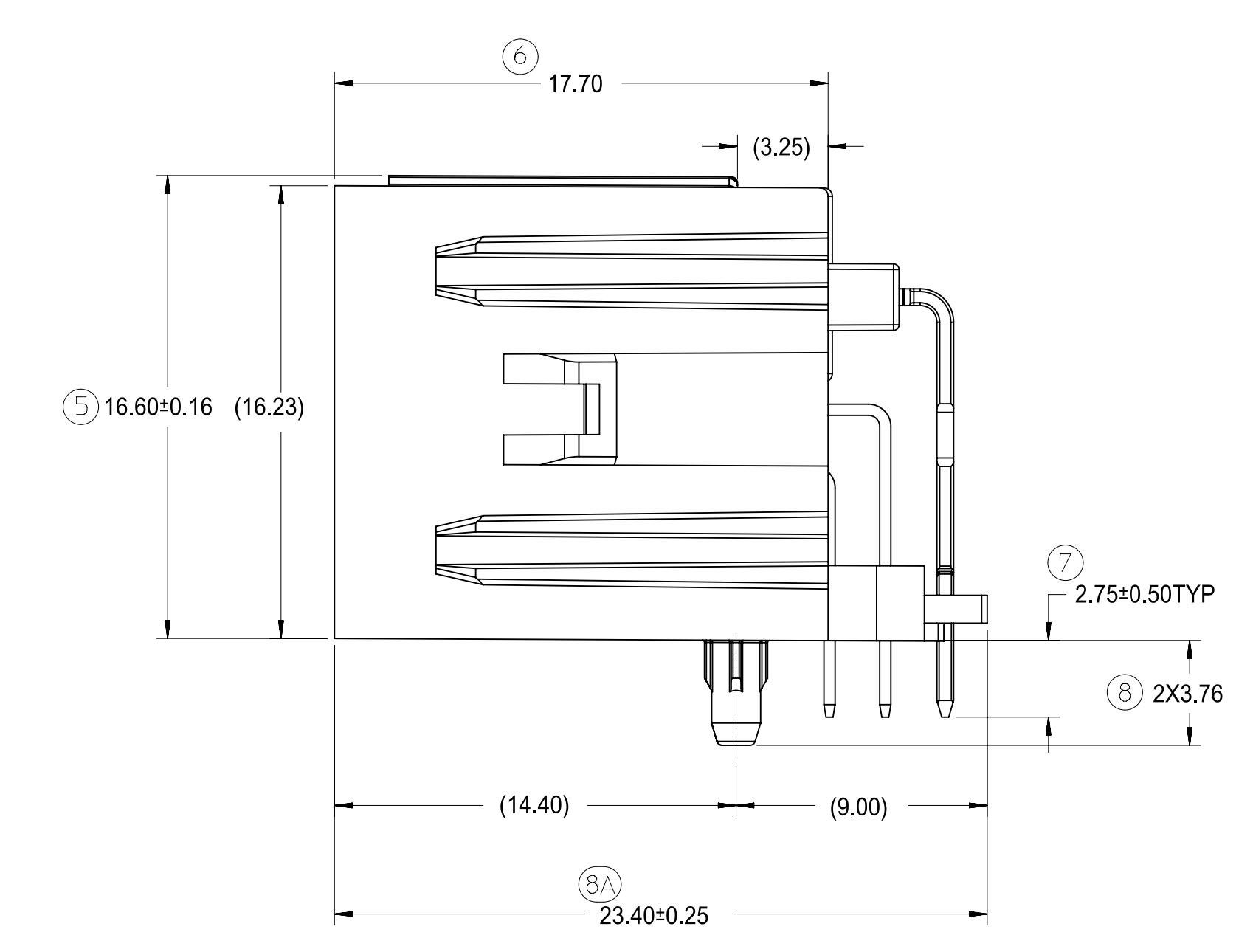
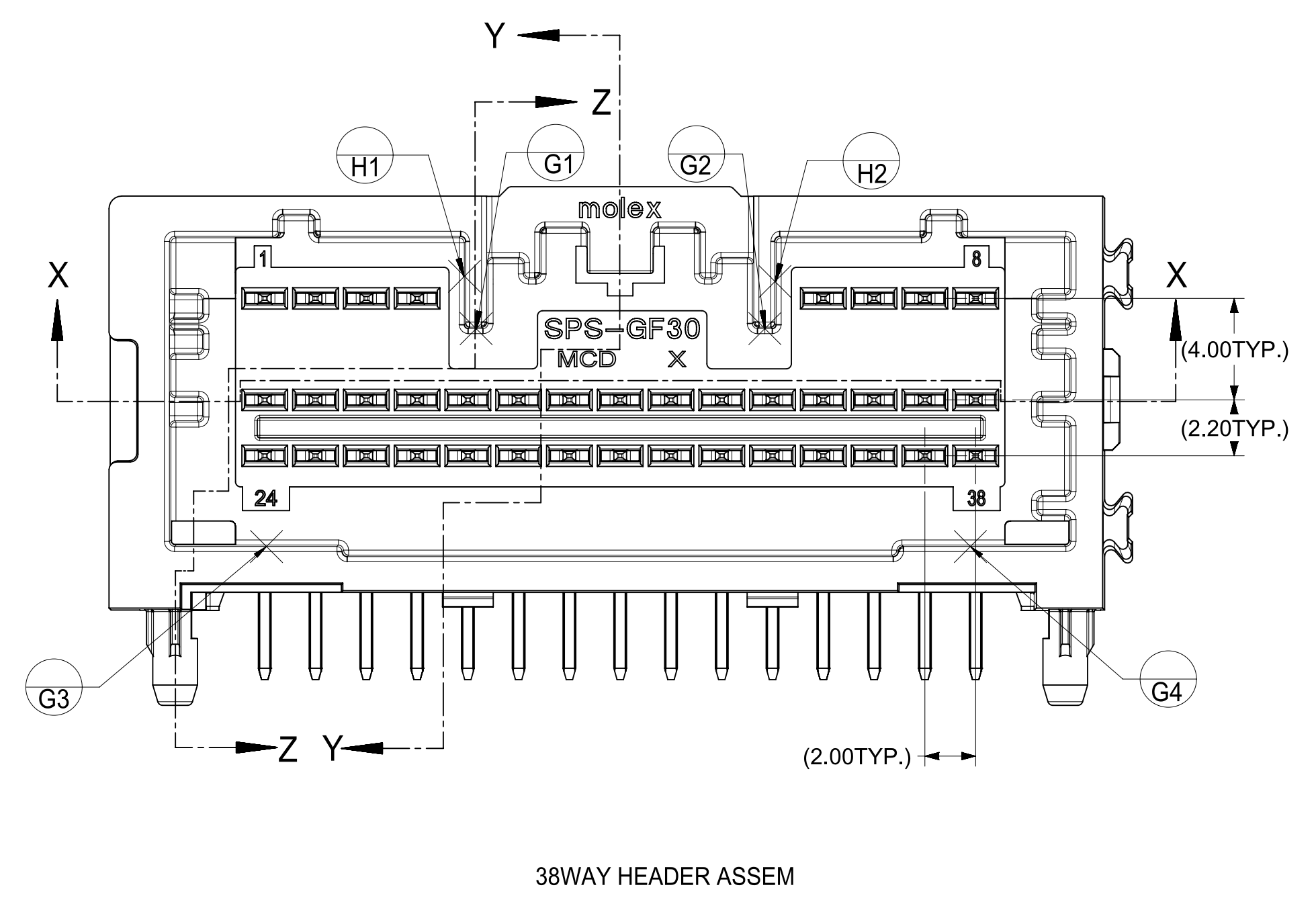
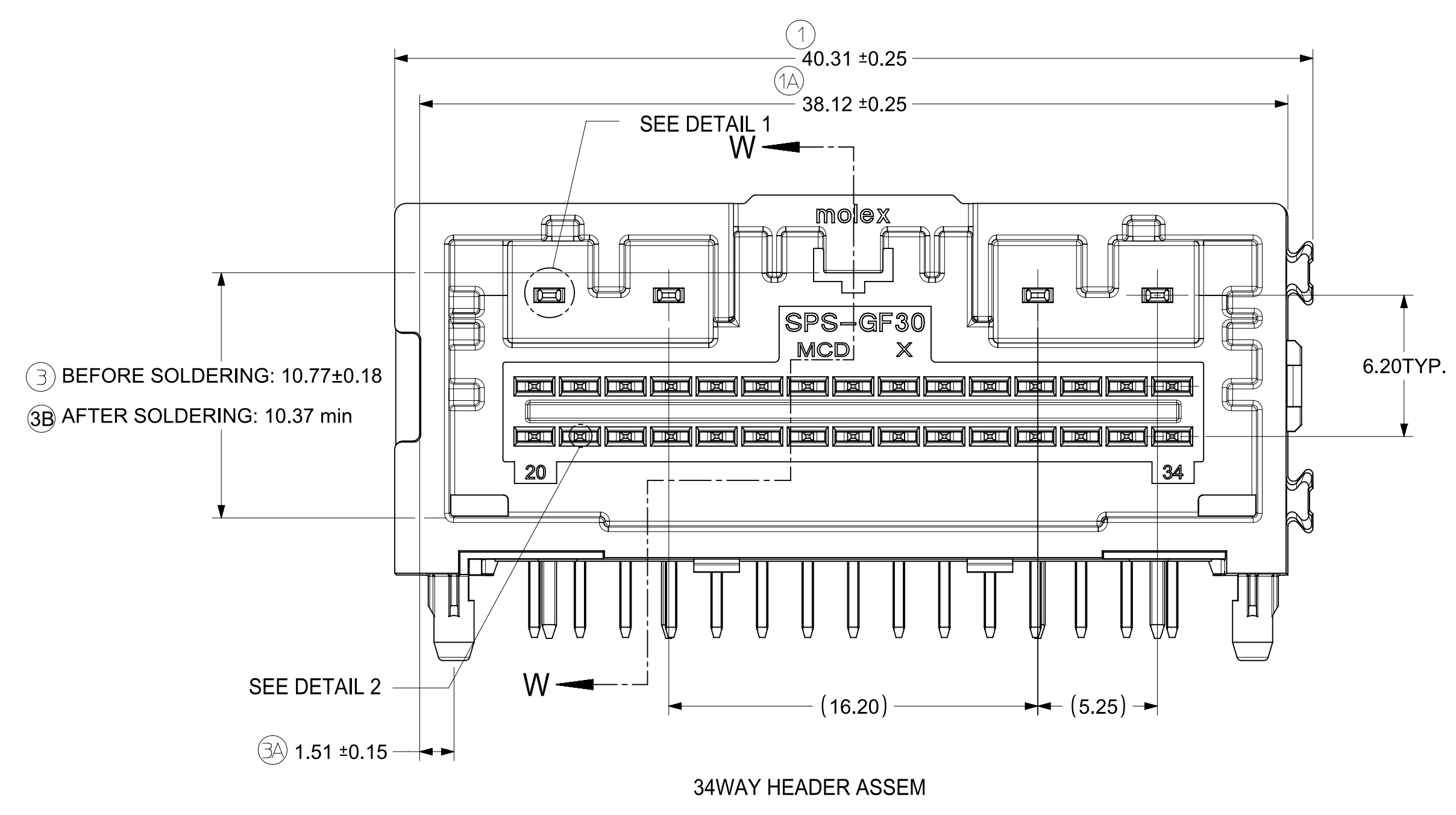
PAP HOLE SHAPE
ROUND



PAP HOLE SHAPE
SQUARE

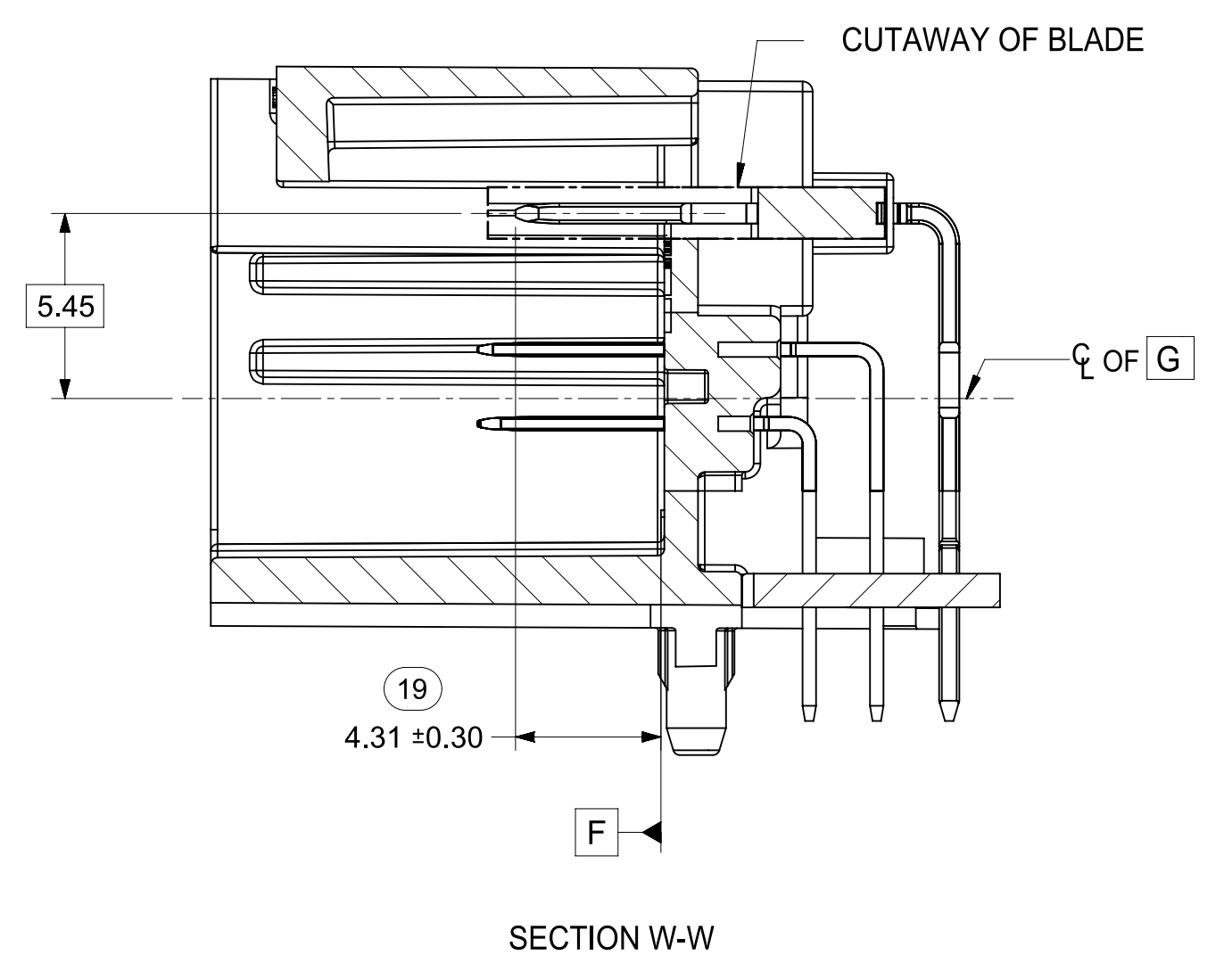
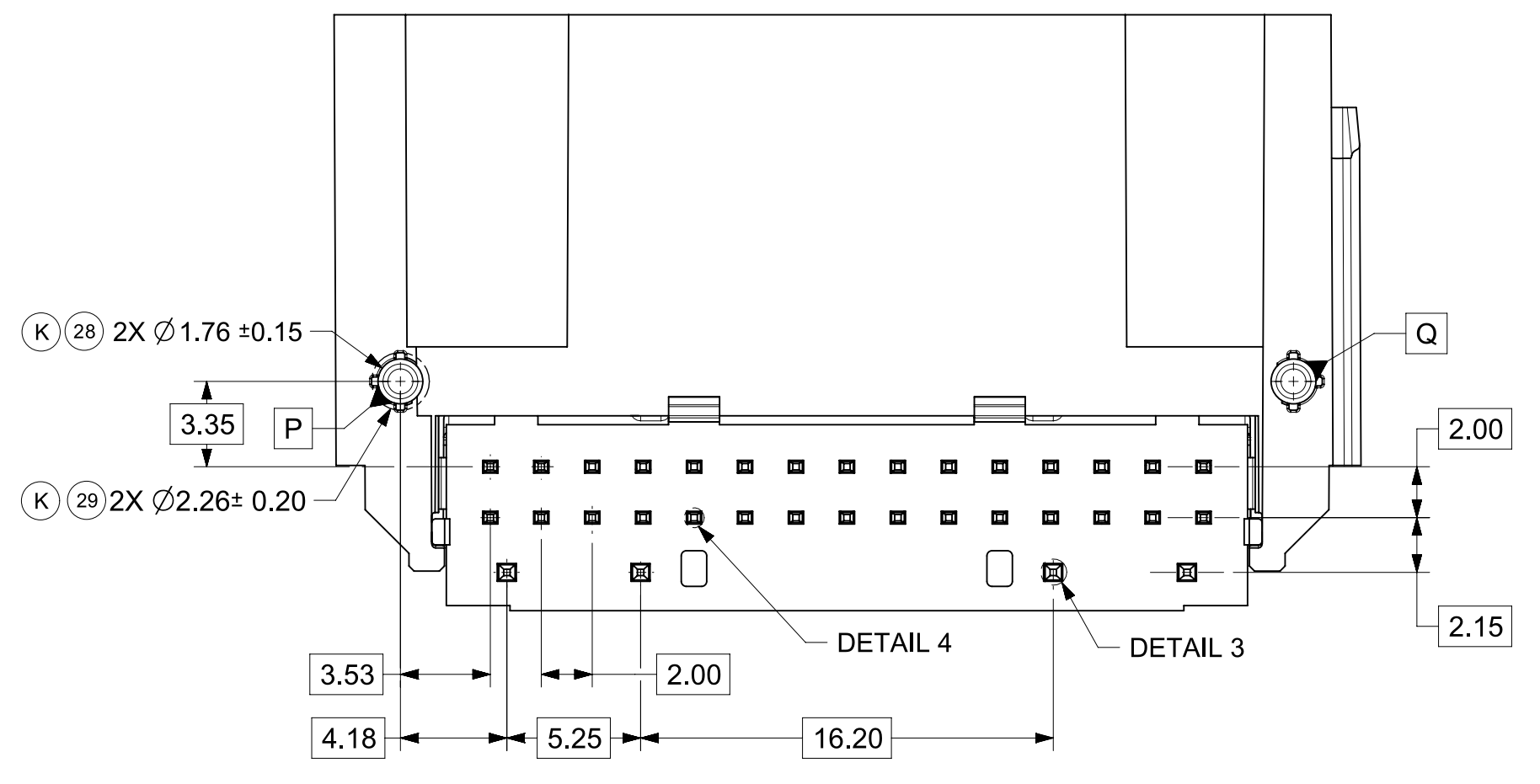
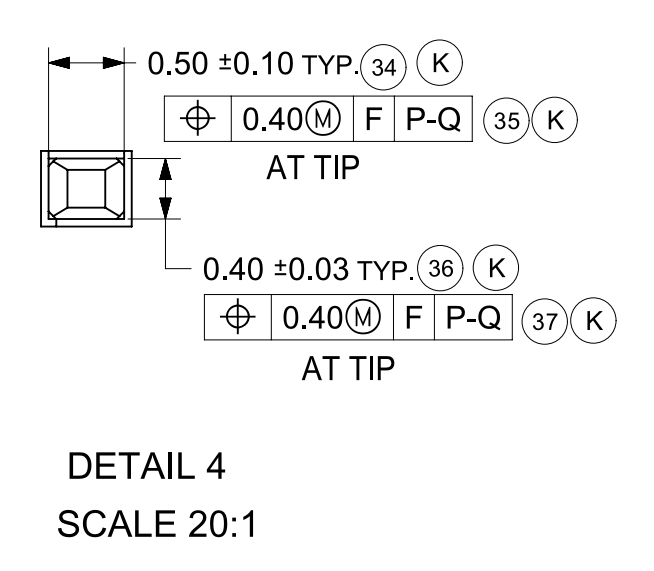
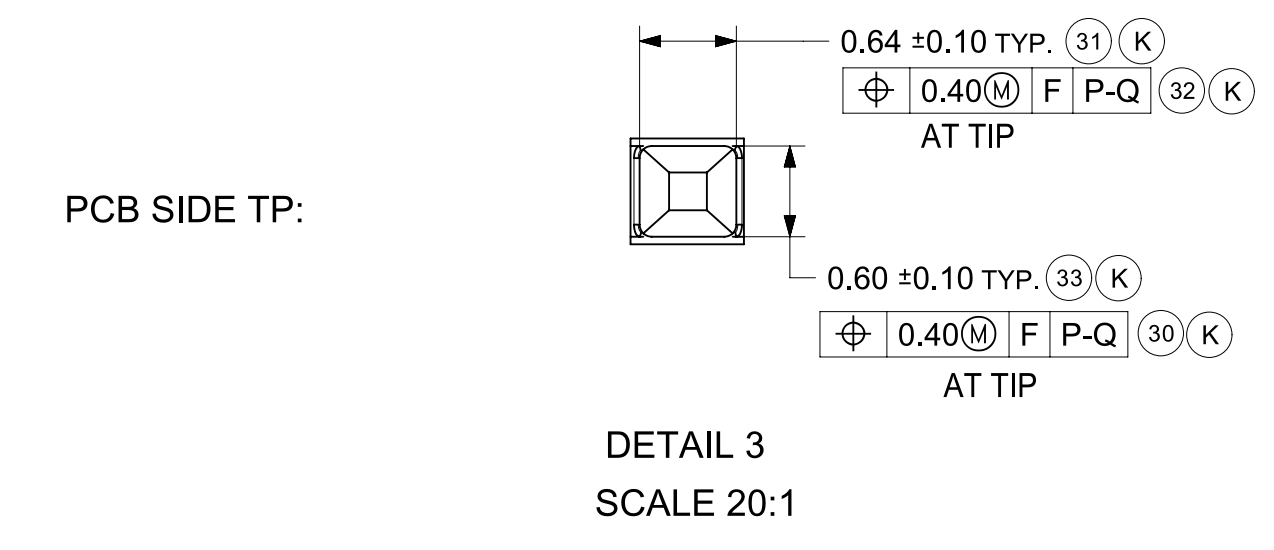
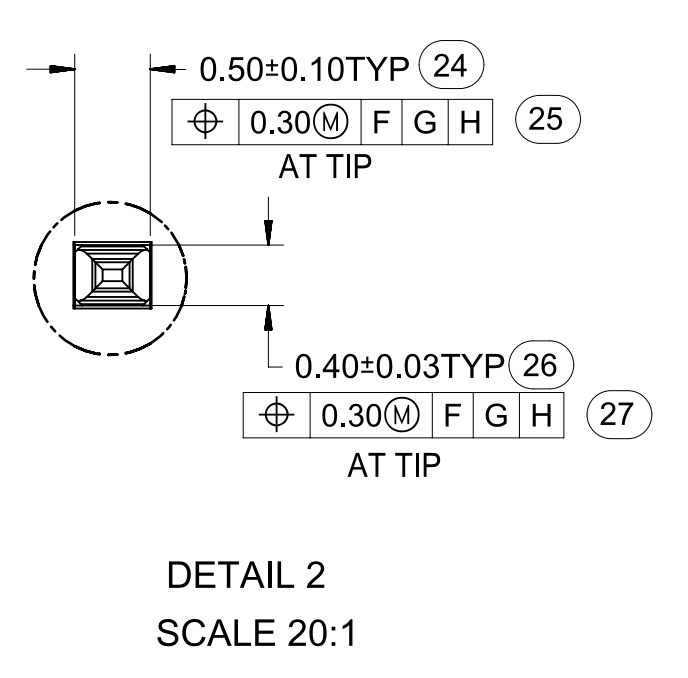
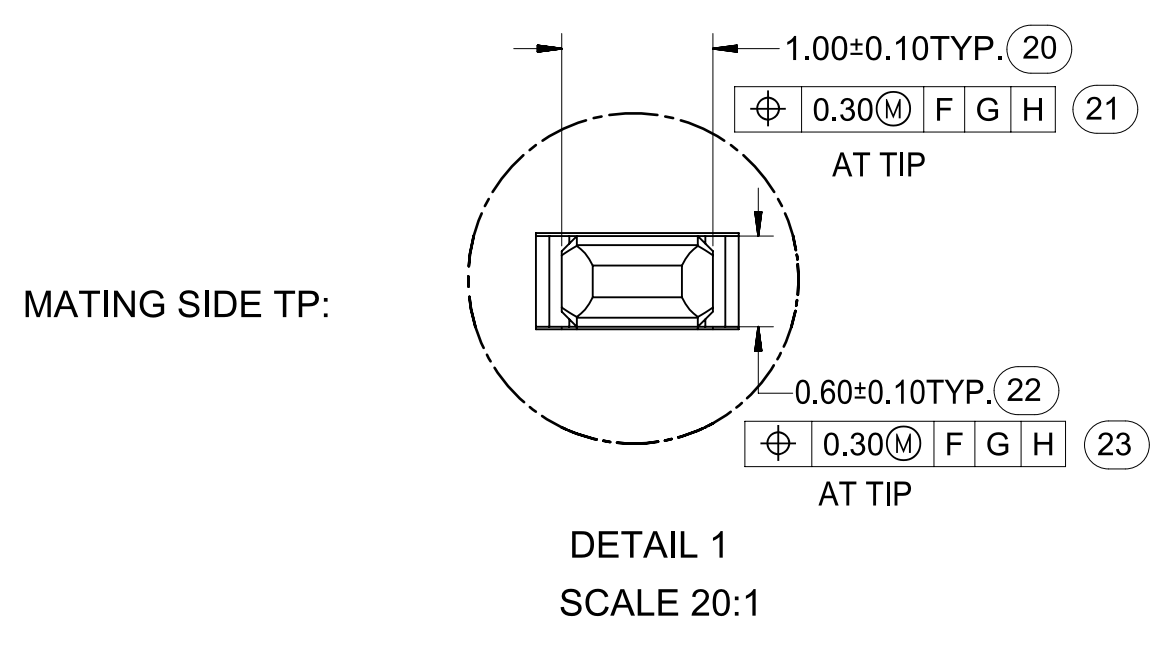
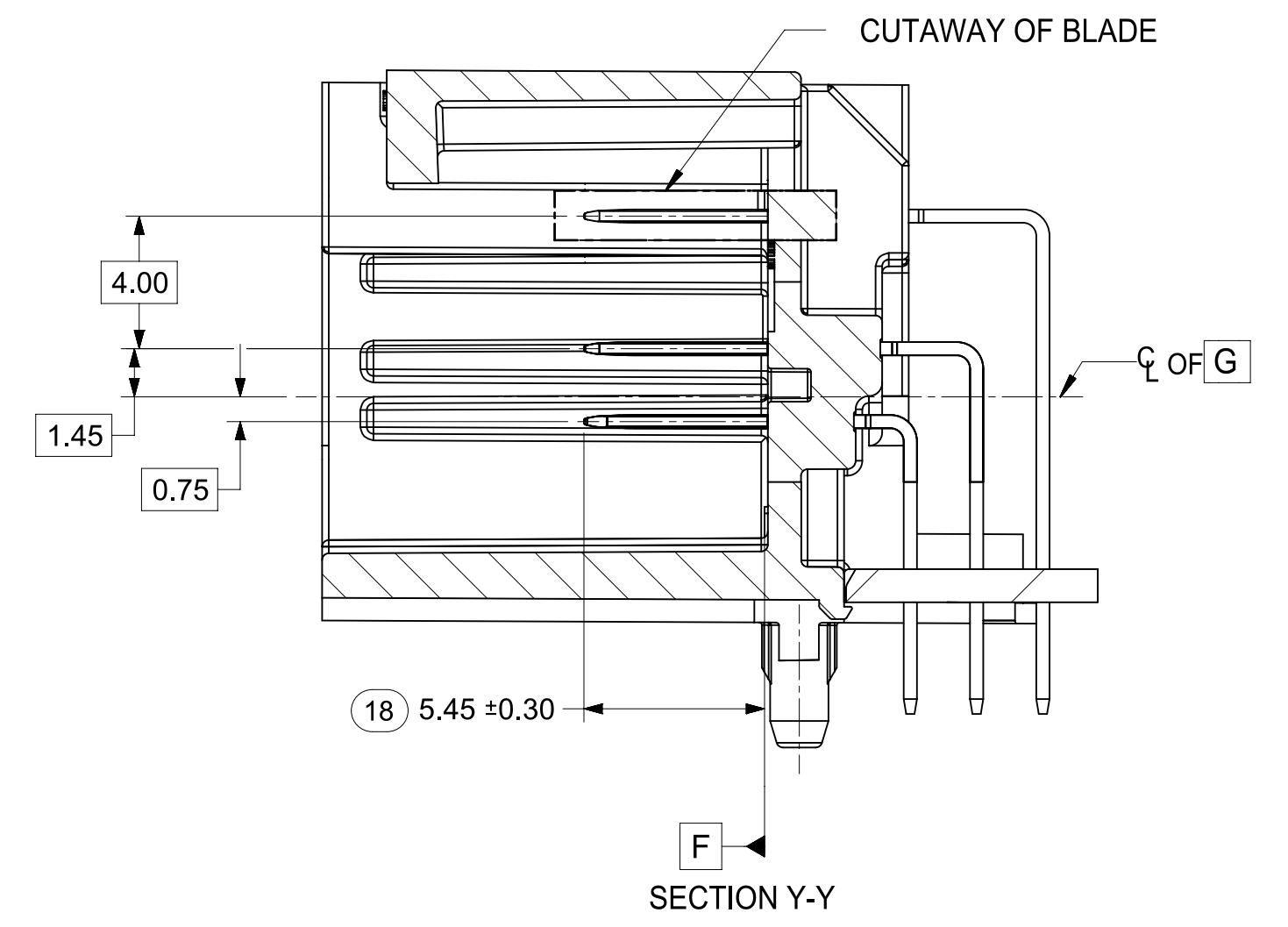
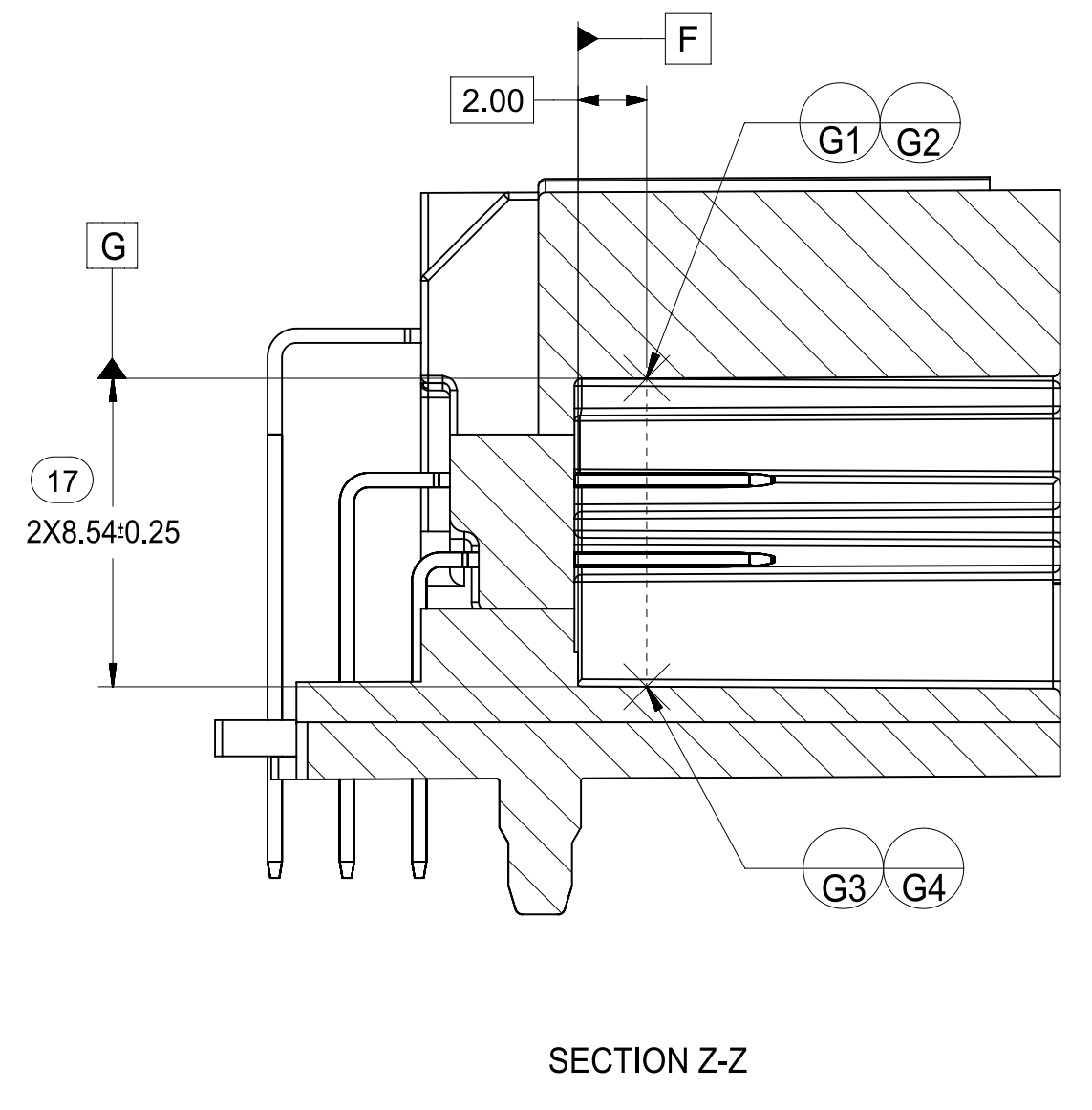
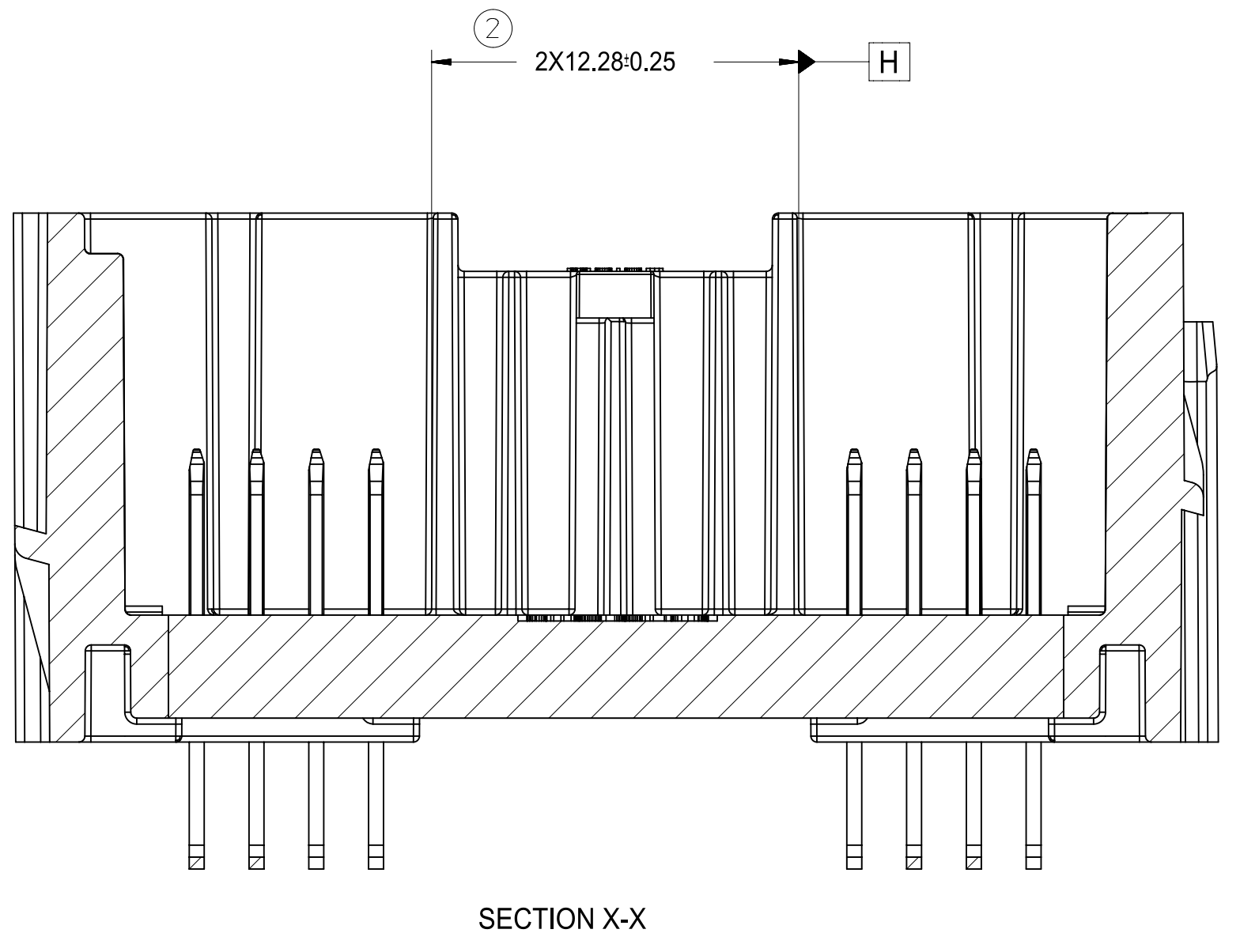
| | | | | | |
|--|---|---|--|---|--|
| FUNCTIONAL SYMBOLS FA = 0 FC = 0 FP = 0 DIVISIONAL SYMBOLS | THIS DRAWING CONTAINS INFORMATION THAT IS PROPRIETARY TO MOLEX ELECTRONIC TECHNOLOGIES, LLC AND SHOULD NOT BE USED WITHOUT WRITTEN PERMISSION DIMENSION UNITS: mm SCALE: 3:1 | | CURRENT REV DESC: REFER TO REVISION COLUMN | | |
| | GENERAL TOLERANCES (UNLESS SPECIFIED) ANGULAR TOL ± 0.5° | | PHASE: Design Production CO NO: CO-000000686 DRWN: Shanks Wu 2022-09-14 CHK'D: Ringo Hu 2022-09-27 APPR: Colin Zhang 2022-09-29 | | |
| DRAFT WHERE APPLICABLE MUST REMAIN WITHIN DIMENSIONS | | THIRD ANGLE PROJECTION | | PRODUCT SALES DRAWING | |
| MATERIAL NUMBER: SD-34961-030 | | CUSTOMER: GENERAL MARKET | | DOC TYPE: PSD DOC PART: 001 REVISION: K | |
| SHEET NUMBER: 3 OF 6 | | DRAWING: D-SIZE SERIES: 34961 | | SHEET NUMBER: 3 OF 6 | |

| TABLE OF CONTENTS | |
|-------------------|-----------------------|
| SHEET NO. | SHEET DESCRIPTION |
| 4 | DETAIL DIMENSION VIEW |



| | | | | |
|---|---|--------------------------|--|--|
| FUNCTIONAL SYMBOLS $F_A = 0$ $F_C = 0$ $F_P = 0$ DIVISIONAL SYMBOLS | THIS DRAWING CONTAINS INFORMATION THAT IS PROPRIETARY TO MOLEX ELECTRONIC TECHNOLOGIES, LLC AND SHOULD NOT BE USED WITHOUT WRITTEN PERMISSION | | CURRENT REV DESC: REFER TO REVISION COLUMN | |
| | DIMENSION UNITS | SCALE | | |
| | mm | 5:1 | | |
| | GENERAL TOLERANCES (UNLESS SPECIFIED) | | | |
| ANGULAR TOL ± 0.5° | | PHASE: Design Production | | |
| 4 PLACES ± | | CO NO: CO-00000686 | 2022-09-14 | |
| 3 PLACES ± | | DRWN: Shanks Wu | 2022-09-27 | |
| 2 PLACES ± | | CHK'D: Ringo Hu | 2022-09-29 | |
| 1 PLACE ± | | APPR: Colin Zhang | | |
| 0 PLACES ± | | INITIAL REVISION: | | |
| DRAFT WHERE APPLICABLE MUST REMAIN WITHIN DIMENSIONS | | DRWN: Shanks Wu | 2022-04-25 | |
| | | APPR: Colin Zhang | 2022-05-05 | |
| THIRD ANGLE PROJECTION | | DRAWING | SERIES | |
| | | D-SIZE | 34961 | |
| | | MATERIAL NUMBER | CUSTOMER | |
| | | SD-34961-030 | GENERAL MARKET | |
| | | DOC TYPE | DOC PART | |
| | | PSD | 001 | |
| | | REVISION | K | |
| | | SHEET NUMBER | | |
| | | 4 OF 6 | | |

| SHEET NO. | SHEET DESCRIPTION |
|-----------|-----------------------|
| 5 | DETAIL DIMENSION VIEW |



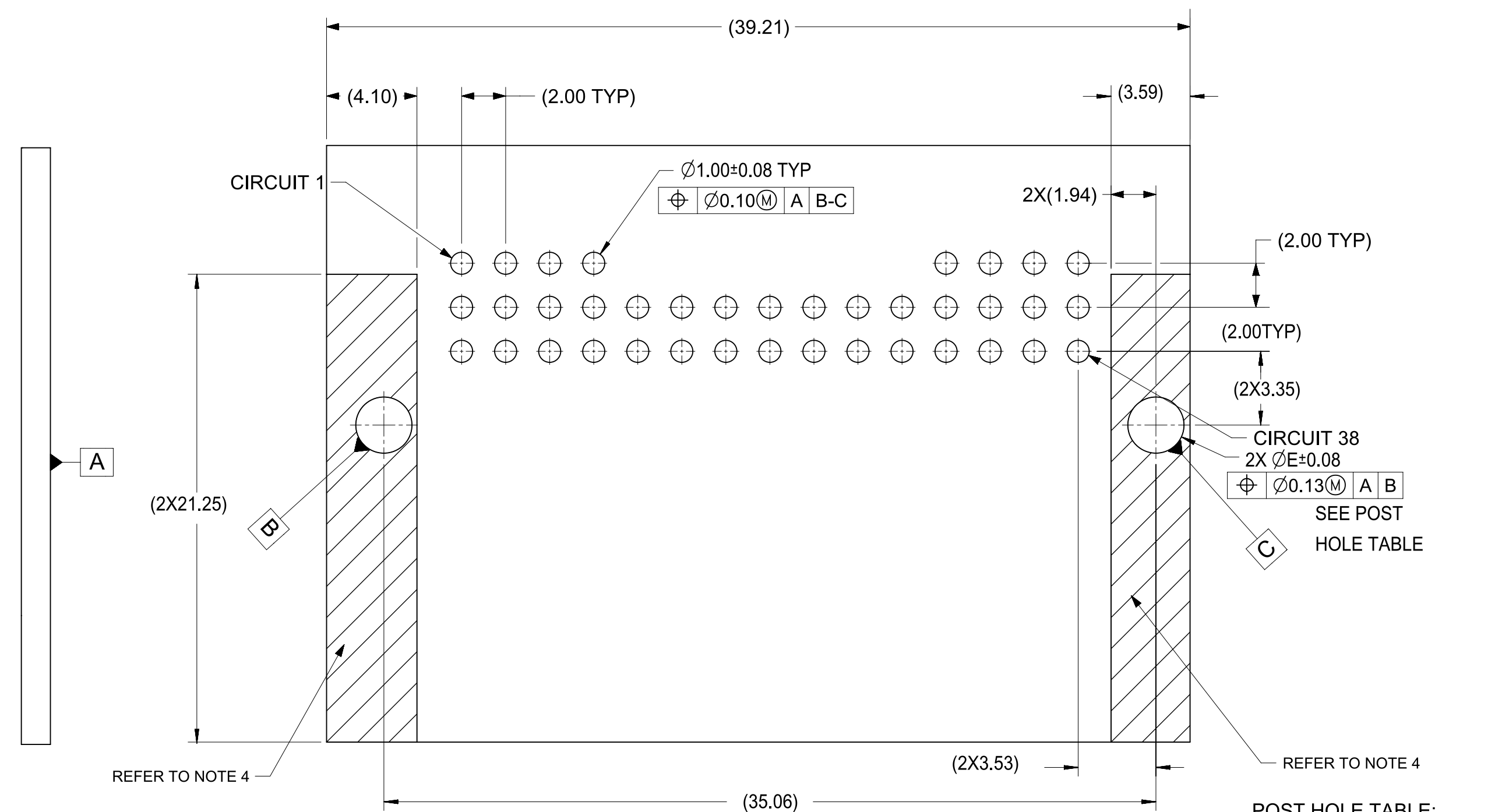
| | | |
|--|---|--------------------------------|
| FUNCTIONAL SYMBOLS | THIS DRAWING CONTAINS INFORMATION THAT IS PROPRIETARY TO MOLEX ELECTRONIC TECHNOLOGIES, LLC AND SHOULD NOT BE USED WITHOUT WRITTEN PERMISSION | |
| | DIMENSION UNITS | SCALE |
| $F_A = 0$ | mm | 5:1 |
| GENERAL TOLERANCES (UNLESS SPECIFIED) | CURRENT REV DESC: REFER TO REVISION COLUMN | |
| | ANGULAR TOL | ± 0.5° |
| DIVISIONAL SYMBOLS | 4 PLACES | ± |
| | 3 PLACES | ± |
| | 2 PLACES | ± |
| | 1 PLACE | ± |
| | 0 PLACES | ± |
| DRAFT WHERE APPLICABLE MUST REMAIN WITHIN DIMENSIONS | THIRD ANGLE PROJECTION | DRAWING |
| | | SERIES |
| | | D-SIZE |
| | | 34961 |
| PHASE: Design Production | | DOCUMENT NUMBER |
| CO NO: CO-00000686 | | DOC TYPE DOC PART REVISION |
| DRWN: Shanks Wu 2022-09-14 | | SD-34961-030 |
| CHK'D: Ringo Hu 2022-09-27 | | PSD 001 K |
| APPR: Colin Zhang 2022-09-29 | | GENERAL MARKET |
| INITIAL REVISION: | | SHEET NUMBER |
| DRWN: Shanks Wu 2022-04-25 | | 5 OF 6 |
| APPR: Colin Zhang 2022-05-05 | | |

molex

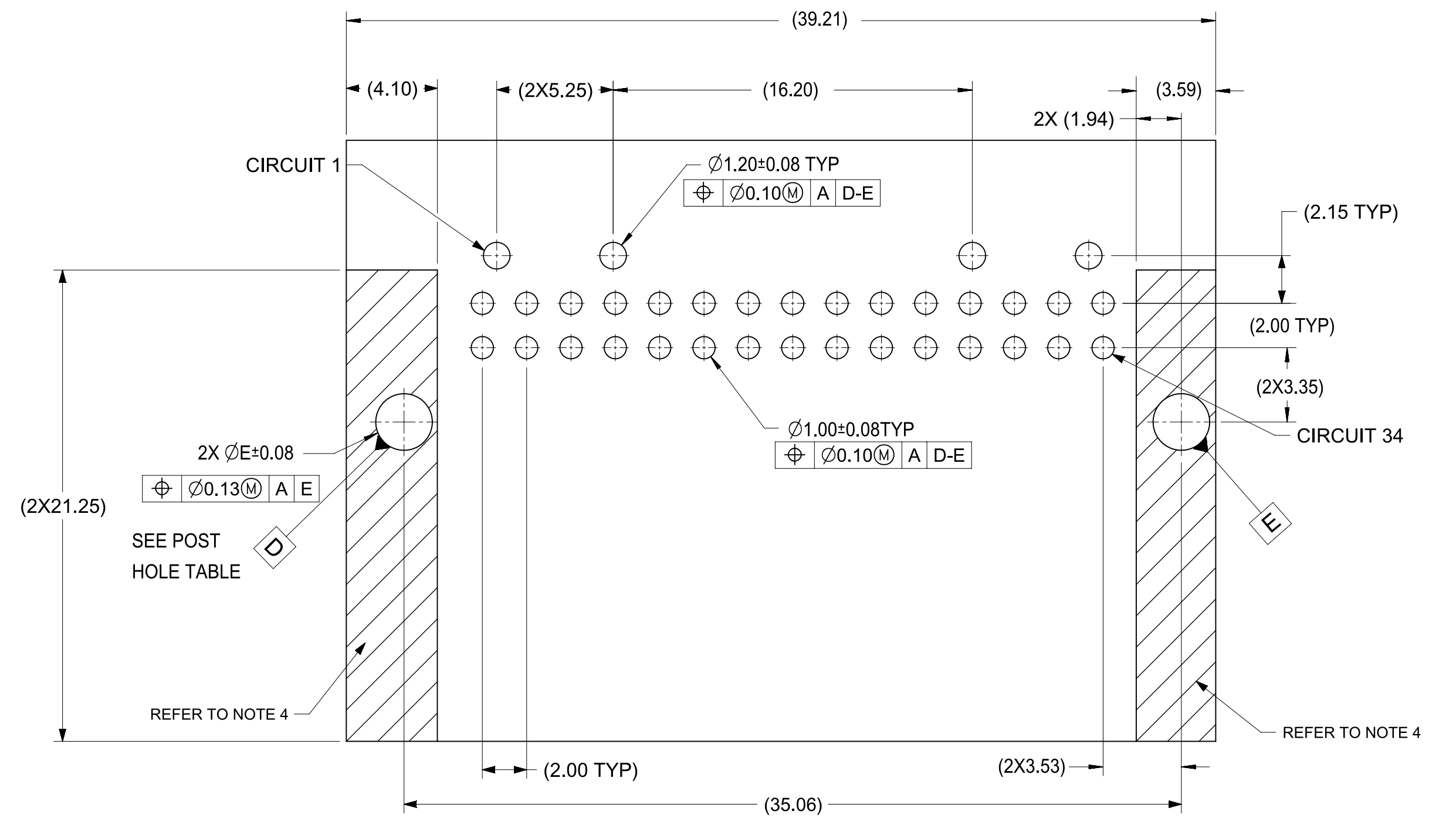
34 & 38CKT MINI50
RIGHT ANGLE HEADER ASSEMBLY SALES DRAWING

PRODUCT SALES DRAWING

| | |
|-------------------|----------------------|
| TABLE OF CONTENTS | |
| SHEET NO. | SHEET DESCRIPTION |
| 6 | REFERENCE PCB LAYOUT |



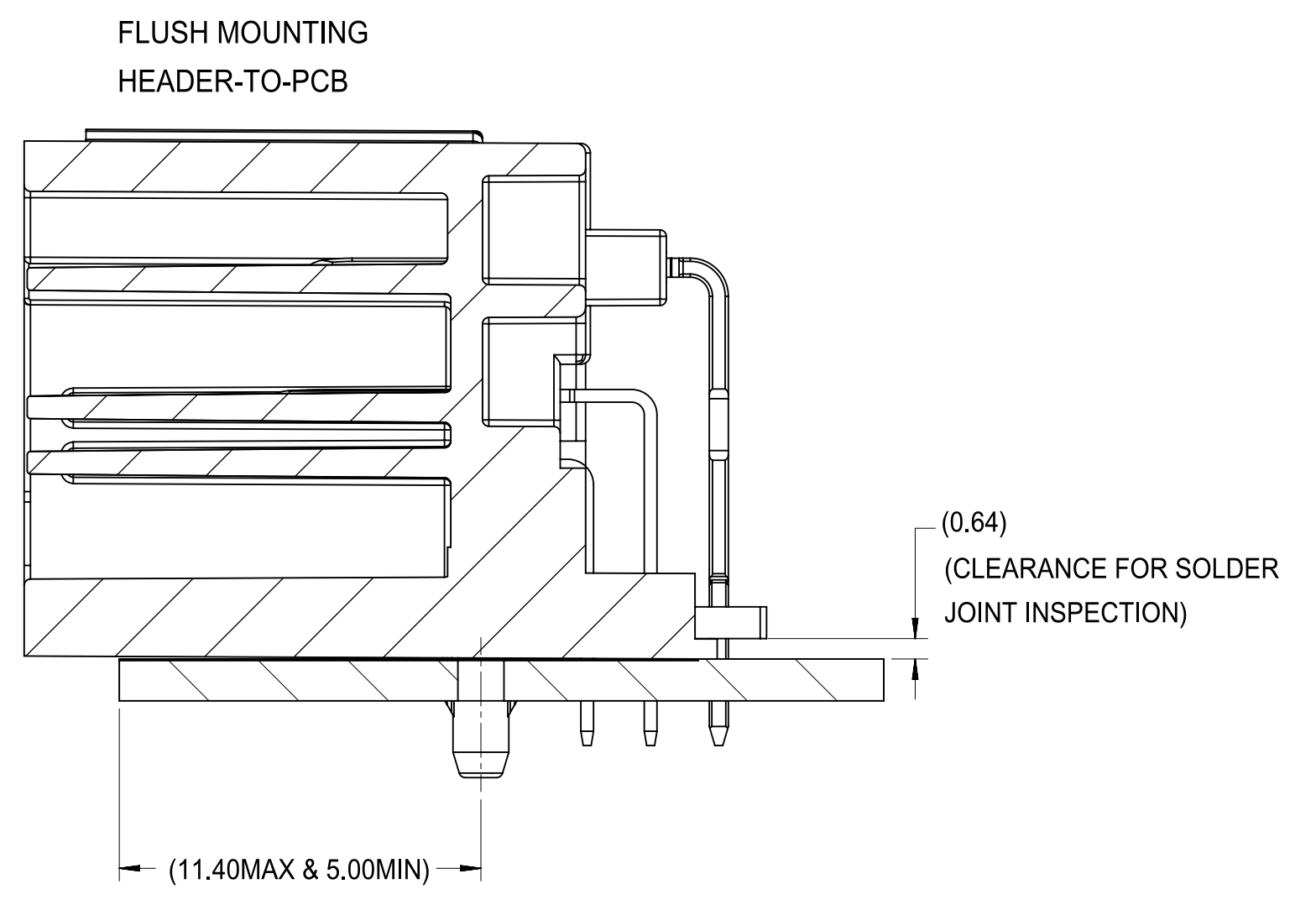
REFERENCE 38WAY PCB LAYOUT



REFERENCE 34WAY PCB LAYOUT

POST HOLE TABLE:

| | |
|------------|------|
| FOR DIM E: | |
| PRESS FIT: | 2.15 |
| DROP IN: | 2.55 |



| | | | | | |
|---|--|--|--|---|-----------------------------|
| FUNCTIONAL SYMBOLS $F_A = 0$ $F_C = 0$ $F_P = 0$ | THIS DRAWING CONTAINS INFORMATION THAT IS PROPRIETARY TO MOLEX ELECTRONIC TECHNOLOGIES, LLC AND SHOULD NOT BE USED WITHOUT WRITTEN PERMISSION DIMENSION UNITS: mm SCALE: 5:1 | CURRENT REV DESC: REFER TO REVISION COLUMN PHASE: Design Production CO NO: CO-00000686 DRWN: Shanks Wu 2022-09-14 CHK'D: Ringo Hu 2022-09-27 APPR: Colin Zhang 2022-09-29 | | | |
| | GENERAL TOLERANCES (UNLESS SPECIFIED) ANGULAR TOL $\pm 0.5^\circ$ 4 PLACES \pm 3 PLACES \pm 2 PLACES \pm 1 PLACE \pm 0 PLACES \pm | INITIAL REVISION: DRWN: Shanks Wu 2022-04-25 APPR: Colin Zhang 2022-05-05 | PRODUCT SALES DRAWING DOCUMENT NUMBER: SD-34961-030 DOC TYPE: PSD DOC PART: 001 REVISION: K | MATERIAL NUMBER: 34961 SERIES: D-SIZE CUSTOMER: GENERAL MARKET | SHEET NUMBER: 6 OF 6 |