



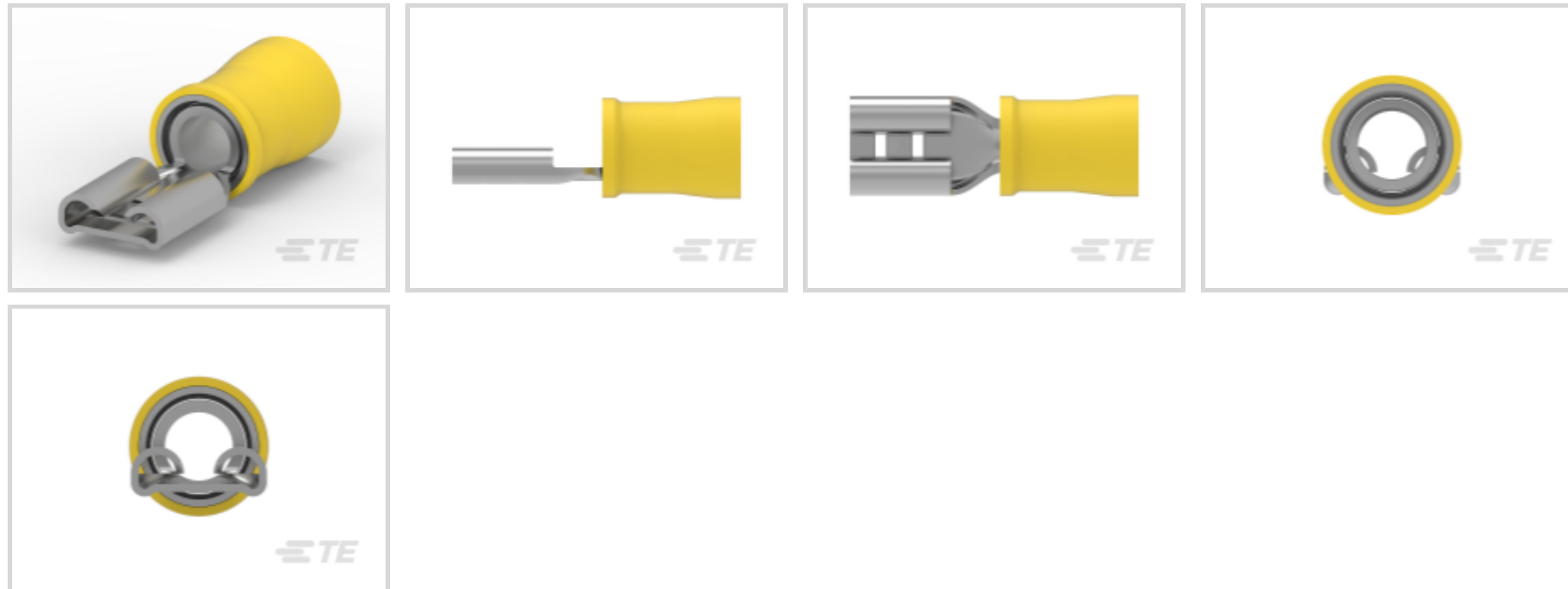
**PIDG**

TE Internal #: 160314-2

Receptacle, 11 – 10 AWG Wire Size, 4 – 6 mm<sup>2</sup> Wire Size, 8226 – 12066 CMA Wire Size, Mating Tab Width 6.35 mm [.25 in], PIDG, Quick Disconnects

[View on TE.com >](#)

Terminals & Splices > Quick Disconnects > PIDG FASTON Receptacle Quick Disconnects



Quick Disconnect Terminal Type: **Receptacle**

Wire Size: **8226 – 12066 CMA**

Mating Tab Width: **6.35 mm [.25 in]**

[All PIDG FASTON Receptacle Quick Disconnects \(21\)](#)

**Features**

**Contact Features**

Quick Disconnect Terminal Type	Receptacle
Mating Tab Width	6.35 mm[.25 in]
Mating Tab Thickness	.81 mm[.032 in]
Terminal Orientation	Straight
Contact Base Material	Brass
Terminal Plating Material	Tin
Crimp Type	Compression
Barrel Type	Closed

**Dimensions**

Wire Size	8226 – 12066 CMA
Product Length	26 mm[1.024 in]
Compatible Insulation Diameter Range	6.35 mm[.25 in]
Terminal Material Thickness	.45 mm[.018 in]

**Packaging Features**



Packaging Method	Bag
------------------	-----

Packaging Quantity	500
--------------------	-----

### Product Type Features

Insertion Force	Normal
-----------------	--------

Compatible With Discrete Wire Type	Stranded
------------------------------------	----------

### Usage Conditions

Insulation Option	Partially Insulated
-------------------	---------------------

Operating Temperature Range	105 °C[221 °F]
-----------------------------	----------------

### Other

EU RoHS Compliance	Compliant
--------------------	-----------

EU ELV Compliance	Compliant
-------------------	-----------

Barrel Color	Yellow
--------------	--------

### Configuration Features

Connection Capacity	Single
---------------------	--------

### Electrical Characteristics

Voltage Rating	300 V
----------------	-------

### Body Features

Insulation Material	Nylon
---------------------	-------

### Termination Features

Product Terminates To	Wire & Cable
-----------------------	--------------

### Mechanical Attachment

Wire Insulation Support	With
-------------------------	------

Mating Retention Type	Dimple
-----------------------	--------

### Product Compliance

[For compliance documentation, visit the product page on TE.com>](#)

EU RoHS Directive 2011/65/EU	Compliant
------------------------------	-----------

EU ELV Directive 2000/53/EC	Compliant
-----------------------------	-----------

China RoHS 2 Directive MIIT Order No 32, 2016	No Restricted Materials Above Threshold
---	---

EU REACH Regulation (EC) No. 1907/2006	Current ECHA Candidate List: JUNE 2024 (241) Candidate List Declared Against: JUNE 2024 (241)
--	--



Does not contain REACH SVHC

Halogen Content

Low Halogen - Br, Cl, F, I < 900 ppm per homogenous material. Also BFR/CFR/PVC Free

Solder Process Capability

Not applicable for solder process capability

Product Compliance Disclaimer

This information is provided based on reasonable inquiry of our suppliers and represents our current actual knowledge based on the information they provided. This information is subject to change. The part numbers that TE has identified as EU RoHS compliant have a maximum concentration of 0.1% by weight in homogenous materials for lead, hexavalent chromium, mercury, PBB, PBDE, DBP, BBP, DEHP, DIBP, and 0.01% for cadmium, or qualify for an exemption to these limits as defined in the Annexes of Directive 2011/65/EU (RoHS2). Finished electrical and electronic equipment products will be CE marked as required by Directive 2011/65/EU. Components may not be CE marked. Additionally, the part numbers that TE has identified as EU ELV compliant have a maximum concentration of 0.1% by weight in homogenous materials for lead, hexavalent chromium, and mercury, and 0.01% for cadmium, or qualify for an exemption to these limits as defined in the Annexes of Directive 2000/53/EC (ELV). Regarding the REACH Regulation, the information TE provides on SVHC in articles for this part number is based on the latest European Chemicals Agency (ECHA) 'Guidance on requirements for substances in articles' posted at this URL: <https://echa.europa.eu/guidance-documents/guidance-on-reach>

### Compatible Parts

TE Part # 58433-3  
PRO CR ASSY, RBY IS9252

TE Part # 58423-1  
DIE, RBY IS9252

TE Part # 1377175-9  
SMP 0-0160314-2

TE Part # 169404  
CERTI-LOK DIE

### Also in the Series | PIDG

Compression Connectors(17)

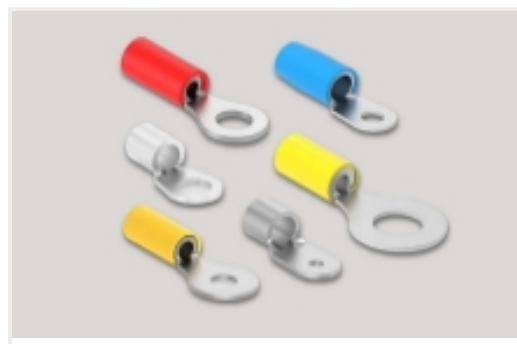
Crimp Wire Pins, Tabs & Ferrules(41)

Hand Crimping Tools(2)

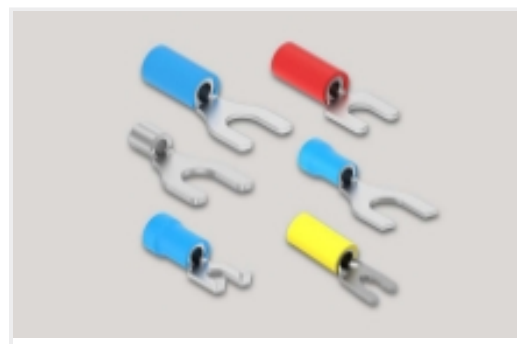
Knife Disconnects(11)



Quick Disconnects(32)



Ring Terminals(588)



Spade Terminals(228)



Special Purpose Terminals(1)



Splices(39)

## Customers Also Bought



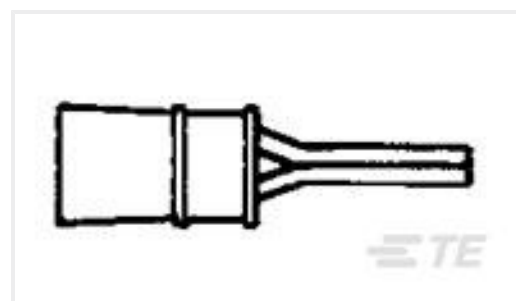
TE Part #5646489-1  
2MM H.M. A/B-22 RECEPT. ASSY.



TE Part #2-179958-4  
DYNAMIC 5000 REC AND TAB HSG



TE Part #794194-1  
09P MINI UMNL2 PLUG HSG UL94V0



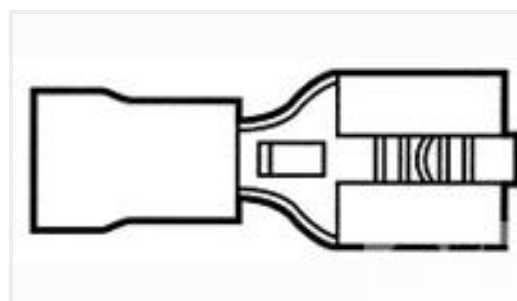
TE Part #342166-1  
16-14 F.E.P.G. WIRE PIN



TE Part #794190-1  
06P MINI UMNL2 PLUG HSG UL94V0



TE Part #1318696-6  
DYNAMIC D-5 REC CONT L



TE Part #42599-2  
RECEPT,PIDG FASTON 22-18 250



TE Part #D247293001  
LHCS15-4.0-45



TE Part #A553673001  
99M1131-20-0/2/6-0CK0500

## Documents



## Product Drawings

### 250 FASTON

English

---

## CAD Files

### 3D PDF

3D

#### Customer View Model

[ENG\\_CVM\\_CVM\\_160314-2\\_AG.2d\\_dxf.zip](#)

English

#### Customer View Model

[ENG\\_CVM\\_CVM\\_160314-2\\_AG.3d\\_igs.zip](#)

English

#### Customer View Model

[ENG\\_CVM\\_CVM\\_160314-2\\_AG.3d\\_stp.zip](#)

English

### 3D PDF

English

#### Customer View Model

[ENG\\_CVM\\_160314-2\\_K1.2d\\_dxf.zip](#)

English

#### Customer View Model

[ENG\\_CVM\\_160314-2\\_K1.3d\\_igs.zip](#)

English

#### Customer View Model

[ENG\\_CVM\\_160314-2\\_K1.3d\\_stp.zip](#)

English

By downloading the CAD file I accept and agree to the [Terms and Conditions](#) of use.

---

## Datasheets & Catalog Pages

### PIDG TERMINALS & SPLICES Quick Reference Guide

English

---

## Product Specifications

### Application Specification

English