

160173-2 ✓ ACTIVE

FASTIN-FASTON | FASTIN-FASTON 110

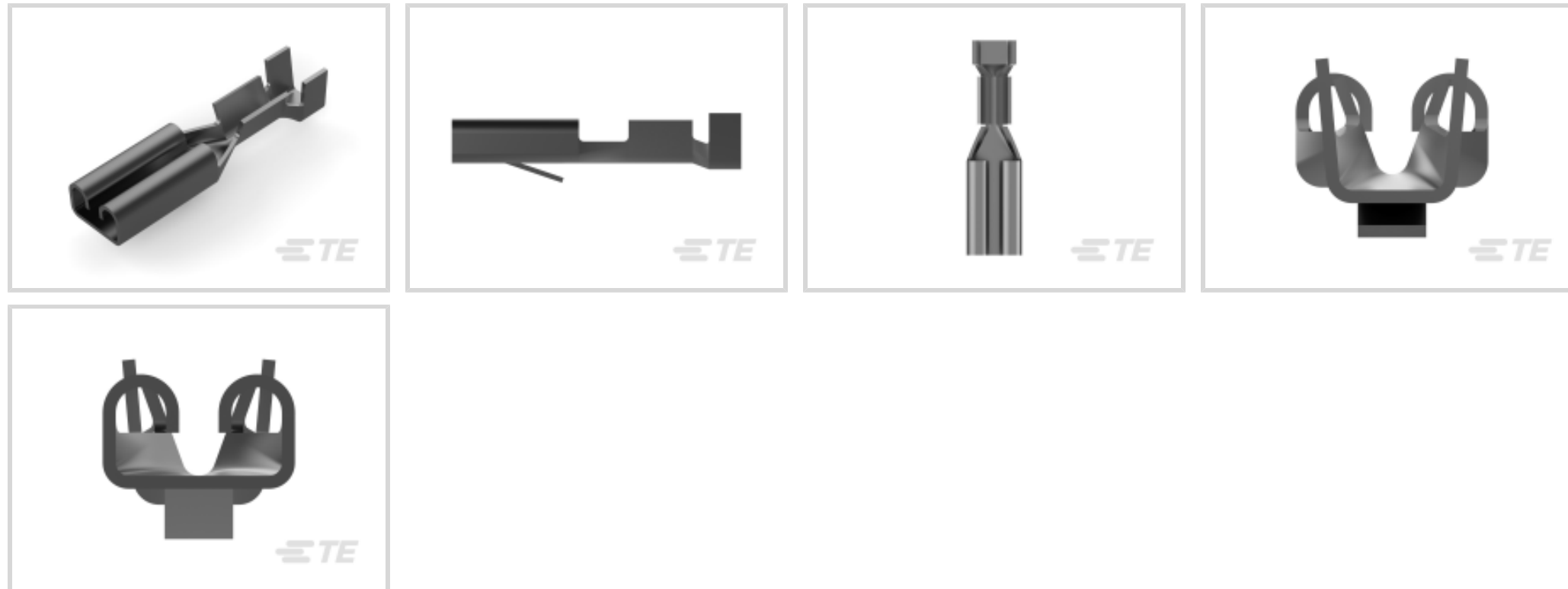
TE Internal #: 160173-2

Receptacle, 22 – 20 AWG Wire Size, .32 – .51 mm² Wire Size,
Mating Tab Width 2.8 mm [.11 in], Straight, Brass, FASTIN-FASTON
110, Quick Disconnects

[View on TE.com >](#)



Terminals & Splices > Quick Disconnects



Quick Disconnect Terminal Type: **Receptacle**

Wire Size: .32 – .51 mm²

Mating Tab Width: 2.8 mm [.11 in]

Mating Tab Thickness: .81 mm [.032 in]

Features

Contact Features

Quick Disconnect Terminal Type	Receptacle
Mating Tab Width	2.8 mm [.11 in]
Mating Tab Thickness	.81 mm [.032 in]
Terminal Orientation	Straight
Contact Base Material	Brass
Terminal Plating Material	Tin
Crimp Type	F-Crimp
Barrel Type	Open

Dimensions

Wire Size	.32 – .51 mm ²
Product Length	14 mm [.551 in]
Compatible Insulation Diameter Range	1.3 – 2 mm [.051 – .078 in]
Terminal Material Thickness	.25 mm [.01 in]

Packaging Features

Packaging Method	Strip/Reel
------------------	------------



Packaging Quantity	10000
--------------------	-------

Product Type Features

Insertion Force	Normal
-----------------	--------

Usage Conditions

Insulation Option	Uninsulated
-------------------	-------------

Operating Temperature Range	-40 – 110 °C[-40 – 230 °F]
-----------------------------	----------------------------

Other

EU RoHS Compliance	Compliant
--------------------	-----------

EU ELV Compliance	Compliant
-------------------	-----------

Configuration Features

Compatible With Wire & Cable Type	Discrete Wire
-----------------------------------	---------------

Connection Capacity	Single
---------------------	--------

Termination Features

Product Terminates To	Wire & Cable
-----------------------	--------------

Mechanical Attachment

Wire Insulation Support	With
-------------------------	------

Mating Retention Type	Locking Lance
-----------------------	---------------

Product Compliance

[For compliance documentation, visit the product page on TE.com>](#)

EU RoHS Directive 2011/65/EU	Compliant
------------------------------	-----------

EU ELV Directive 2000/53/EC	Compliant
-----------------------------	-----------

China RoHS 2 Directive MIIT Order No 32, 2016	No Restricted Materials Above Threshold
-----------------------------------------------	-----------------------------------------

EU REACH Regulation (EC) No. 1907/2006	Current ECHA Candidate List: JUNE 2024 (241) Candidate List Declared Against: JUNE 2024 (241) Does not contain REACH SVHC
----------------------------------------	---------------------------------------------------------------------------------------------------------------------------------

Halogen Content	Low Halogen - Br, Cl, F, I < 900 ppm per homogenous material. Also BFR/CFR/PVC Free
-----------------	-------------------------------------------------------------------------------------

Solder Process Capability	Not applicable for solder process capability
---------------------------	----------------------------------------------

Product Compliance Disclaimer



This information is provided based on reasonable inquiry of our suppliers and represents our current actual knowledge based on the information they provided. This information is subject to change. The part numbers that TE has identified as EU RoHS compliant have a maximum concentration of 0.1% by weight in homogenous materials for lead, hexavalent chromium, mercury, PBB, PBDE, DBP, BBP, DEHP, DIBP, and 0.01% for cadmium, or qualify for an exemption to these limits as defined in the Annexes of Directive 2011/65/EU (RoHS2). Finished electrical and electronic equipment products will be CE marked as required by Directive 2011/65/EU. Components may not be CE marked. Additionally, the part numbers that TE has identified as EU ELV compliant have a maximum concentration of 0.1% by weight in homogenous materials for lead, hexavalent chromium, and mercury, and 0.01% for cadmium, or qualify for an exemption to these limits as defined in the Annexes of Directive 2000/53/EC (ELV). Regarding the REACH Regulation, the information TE provides on SVHC in articles for this part number is based on the latest European Chemicals Agency (ECHA) 'Guidance on requirements for substances in articles' posted at this URL: <https://echa.europa.eu/guidance-documents/guidance-on-reach>

Compatible Parts



TE Part # 150571-2
FF 110 REC 0.2-0.56MM2 TPBR



TE Part # 2150182-1
OCEAN_2.0_Applicator-E-055F090F-REM



TE Part # 2150182-2
OCEAN_2.0_Applicator-E-055F090F-REA



TE Part # 7-2150182-7
OCEAN_2.0_SPARE_PART_KIT-055F090F



TE Part # 734520-1
.110 FAST.HANDTOOL

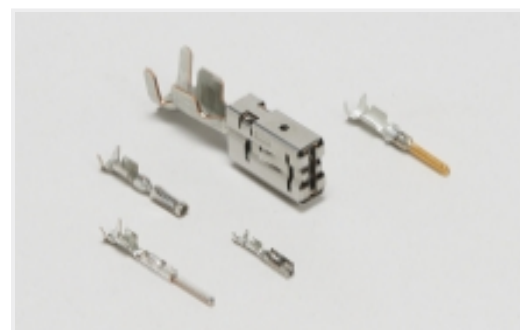


TE Part # 737255-5
FF 110 REC 0.5-1.0MM2 TPBR

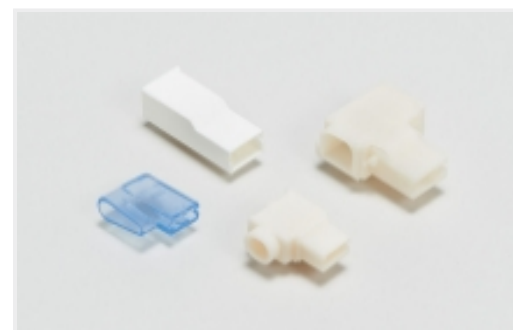
Also in the Series | FASTIN-FASTON 110



Automotive Housings(6)



Automotive Terminals(5)



Crimp Terminal Housings(34)

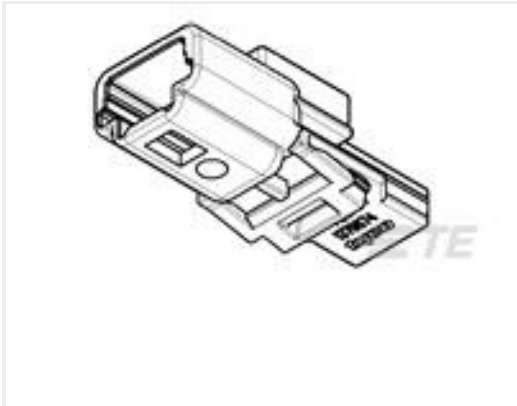


Insertion & Extraction Tools(3)



Quick Disconnects(83)

Customers Also Bought



TE Part #1379674-1
4W TAB HSG CODING 1 BLACK



TE Part #2005248-1
PDL 2P CAP 3.96 F/H(GWT) NAT



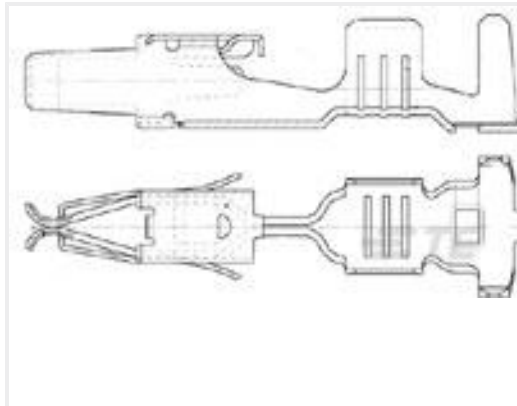
TE Part #1-2177909-1
MCON 0.5 CB, CONTACT



TE Part #CQ50393001
RAY-101-3.0(10)



TE Part #150572-2
MINI FASTON 110 REC 20-16 AWG
TPBR



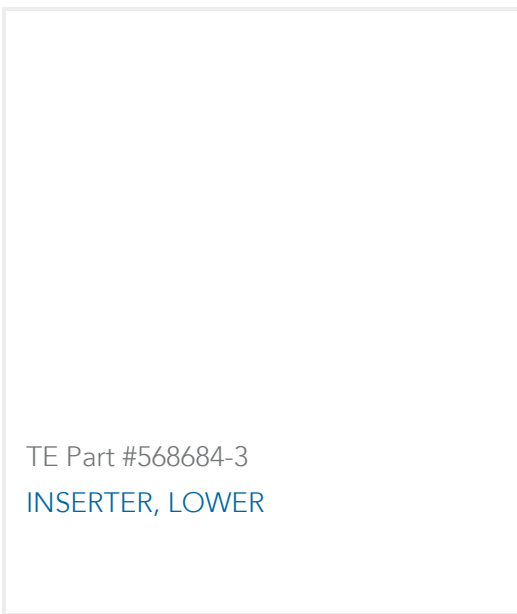
TE Part #185027-1
JPT F REC 2.8 Contact SWS Sn



TE Part #1802190-1
TAB0.64X0.64, TERMINAL



TE Part #279328-1
MOTOR TERMINAL II



TE Part #568684-3
INSERTER, LOWER



TE Part #7-659667-3
BLADE TRIM, SINGLE

Documents

Product Drawings

[FF 110 REC 22-20AWG TPBR](#)

English

CAD Files

[3D PDF](#)

3D

Customer View Model

[ENG_CVM_CVM_160173-2_AT_c-160173-2-at.2d_dxf.zip](#)



English

Customer View Model

[ENG_CVM_CVM_160173-2_AT_c-160173-2-at.3d_igs.zip](#)

English

Customer View Model

[ENG_CVM_CVM_160173-2_AT_c-160173-2-at.3d_stp.zip](#)

English

By downloading the CAD file I accept and agree to the [Terms and Conditions](#) of use.

Product Specifications

Application Specification

English

EBGeneral Application Specification for Open Barrel Terminals**

English

Application Specification

English