

Solder Termination Type Miniature Circular Connector CONNECTOR

SRCN Series

MB-0420-1E

Mar.2026

RoHS Compliant

Overview

The SRCN Series is a solder termination type circular connector complying with JIS C 5432 (Japanese Industrial Standard for circular connectors for electronic equipment).

This lightweight and robust miniature circular connector features high-reliability press-fit contacts, an insulator with excellent solder heat resistance, and an aluminum shell.

The lineup includes panel-mount receptacles, cable-to-cable receptacles, and straight plugs, making it suitable for a wide range of applications.

Note: In 2026, the insulator color was changed from blue-green to black. There are no changes to performance or compatibility between the old and new versions.

Application

Broadcast equipment, audio equipment, communication devices, measuring instruments, office automation equipment, machine tools, factory automation equipment, vending machines, electronic entertainment devices, various other electronic and electrical equipment.

Features

- Compliant with JIS C 5432 standard
- Lightweight and low-cost type employing press contacts
- Secure fitting and easy disengagement with coupling nut threads
- Closed-entry insulator on the socket side ensures precise pin guidance
- Wide variety of connector types and contact counts
- Smooth and reliable mating achieved by five guide keys

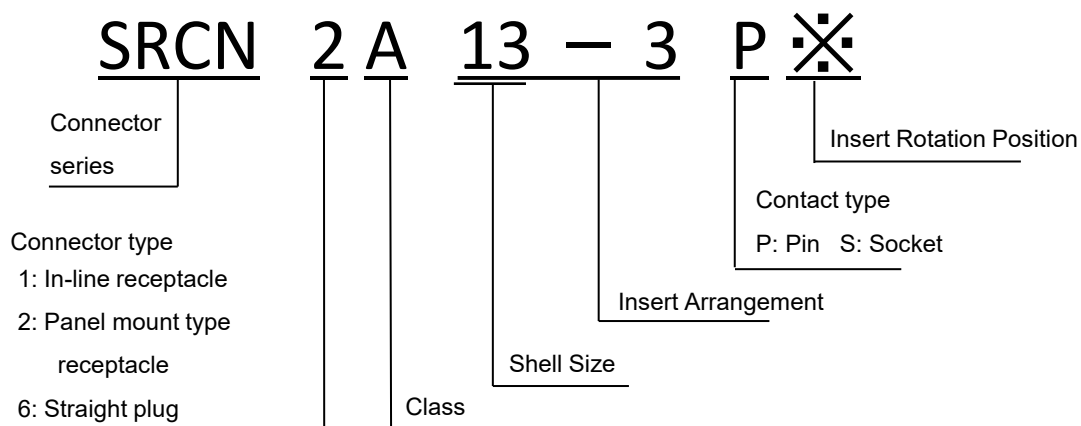
General Specifications

Number of positions	3,5,7,10,16,24 pos.
Rated current (per position)	Contact size #20 : up to 5 A / pos. Contact size #16 : up to 10 A / pos.
Dielectric withstanding voltage	AC 1000 V (per minute)
Insulation resistance	1000MΩ min. (DC 500 V energized)
Applicable wires	Contact size #20 : up to AWG20 (0.5mm ²) Contact size #16 : up to AWG16 (1.25mm ²)
Operating temperature range	-25 deg.C to +85 deg.C (including temperature rise)

Materials and Finishes

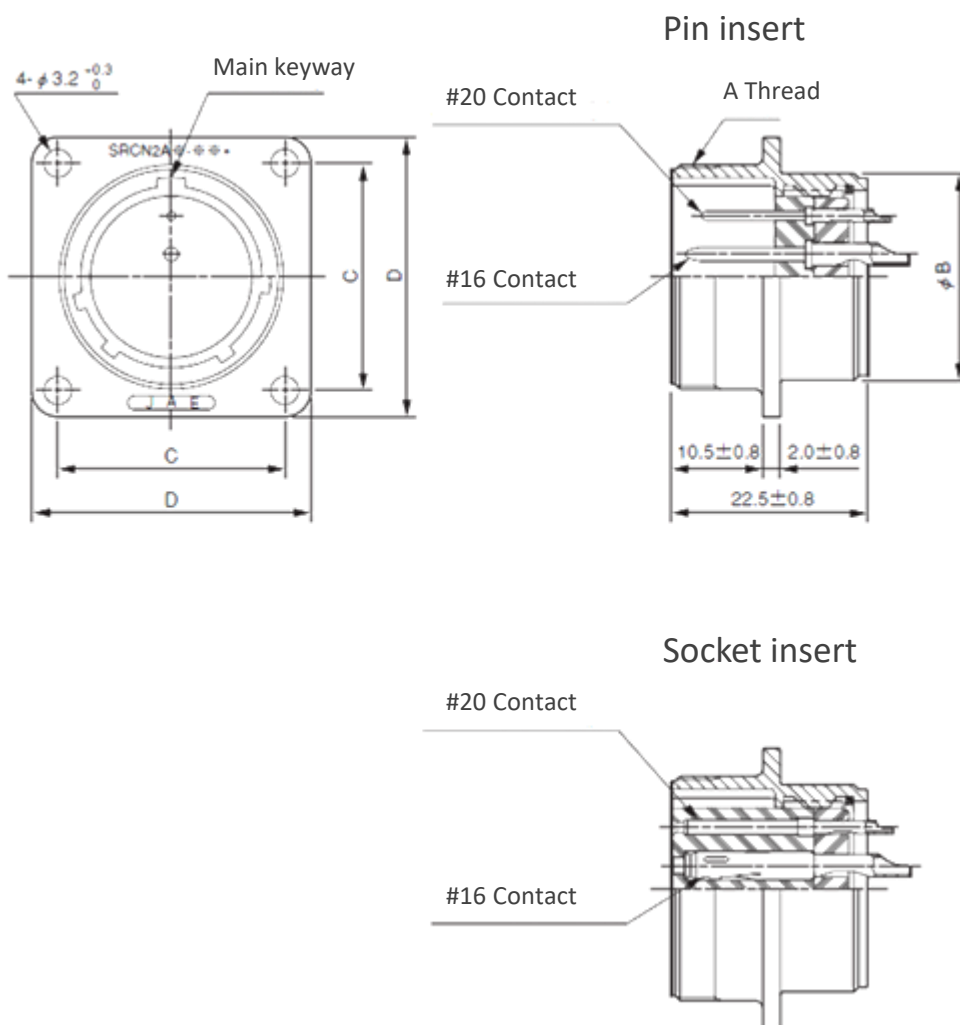
Components	Materials / Finishes
Contact	Copper alloy / Silver plating
Insulator	Synthetic resin
Shell	Stainless steel
Barrel	Aluminum alloy / Nickel plating
Coupling nut	Aluminum alloy / Nickel plating
End bell	Aluminum alloy / Nickel plating
Clamp saddle	Aluminum alloy / Nickel plating
Retaining ring	Copper alloy / Nickel plating
Set screw	Steel / Nickel plating (Black)
Clamp Screw	Steel / Nickel plating

Ordering Information



Outer Dimensions

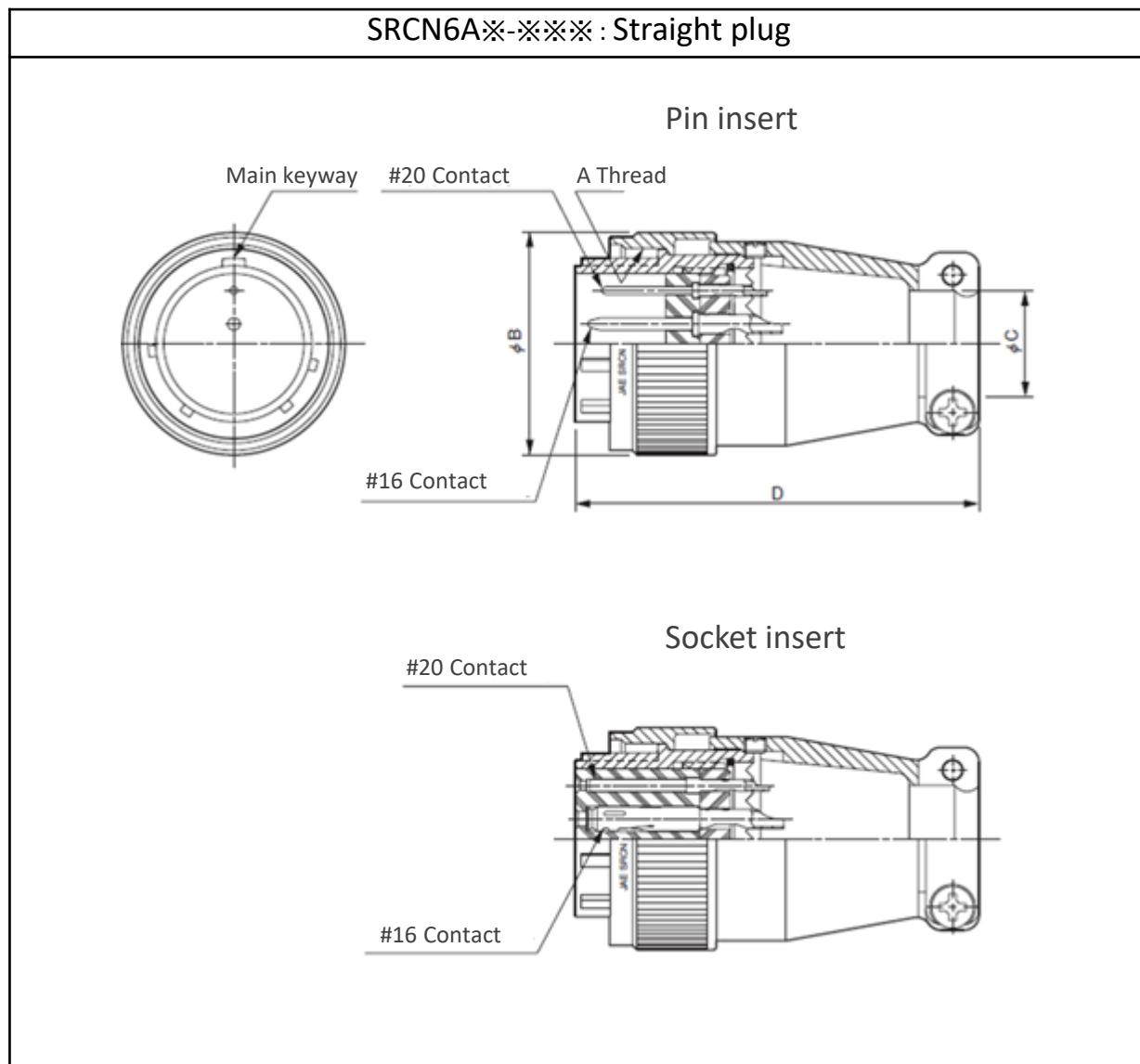
SRCN2A※-※※※ : Panel mount type receptacle



Part number / Dimensions

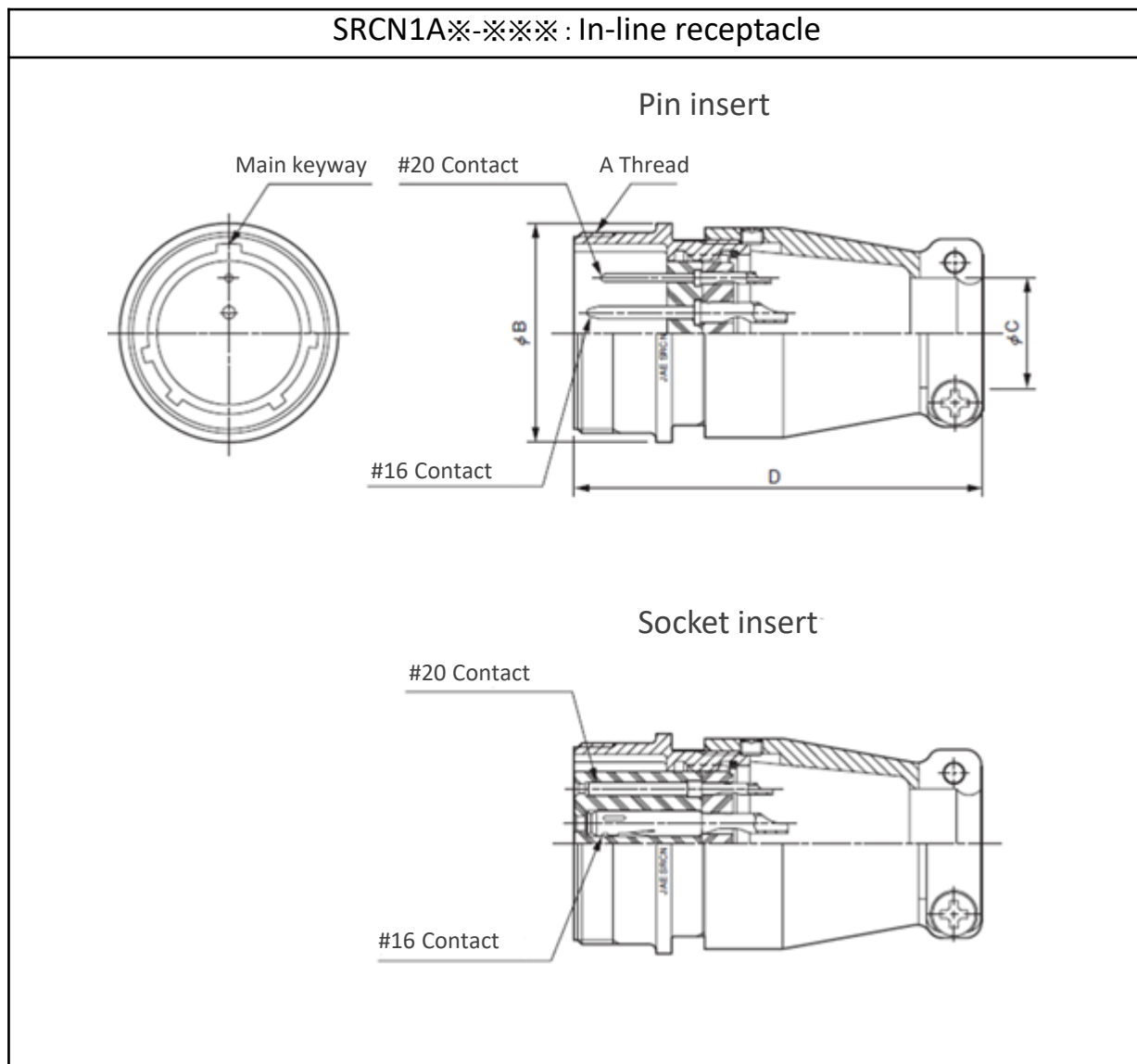
Part number		Shell Size	Number of contacts and size	A Thread	$\phi B \pm 0.3$	C ± 0.2	D ± 0.5	Ref.: JIS standards P/N Top: Pin Bottom: Socket
Pin insert	Socket insert							
SRCN2A13-3P	SRCN2A13-3S	13	#16×3	M18×1	16	20.00	26	CNR01SRM013003 CNR01SRF013003
SRCN2A13-5P	SRCN2A13-5S	13	#20×5	M18×1	16	20.00	26	CNR01SRM013005 CNR01SRF013005
SRCN2A16-7P	SRCN2A16-7S	16	#16×7	M22×1	20	23.00	29	CNR01SRM016007 CNR01SRF016007
SRCN2A16-10P	SRCN2A16-10S	16	#20×10	M22×1	20	23.00	29	CNR01SRM016010 CNR01SRF016010
SRCN2A21-10P	SRCN2A21-10S	21	#16×10	M26×1	24	26.00	32	CNR01SRM021010 CNR01SRF021010
SRCN2A21-16P	SRCN2A21-16S	21	#20×16	M26×1	24	26.00	32	CNR01SRM021016 CNR01SRF021016
SRCN2A25-16P	SRCN2A25-16S	25	#16×16	M30×1	28	29.00	35	CNR01SRM025016 CNR01SRF025016
SRCN2A25-24P	SRCN2A25-24S	25	#20×24	M30×1	28	29.00	35	CNR01SRM025024 CNR01SRF025024

SRCN6A※-※※※ : Straight plug



Part number / Dimensions

Part number		Shell Size	Number of contacts and size	A Thread	ϕB ± 0.3	C ± 0.2	D ± 0.5	Ref.: JIS standards P/N Top: Pin Bottom: Socket
Pin insert	Socket insert							
SRCN6A13-3P	SRCN6A13-3S	13	#16×3	M18×1	21.2	8.50	47	CNR01SRM013003 CNR01SRF013003
SRCN6A13-5P	SRCN6A13-5S	13	#20×5	M18×1	21.2	8.50	47	CNR01SRM013005 CNR01SRF013005
SRCN6A16-7P	SRCN6A16-7S	16	#16×7	M22×1	25.2	11.5	50	CNR01SRM016007 CNR01SRF016007
SRCN6A16-10P	SRCN6A16-10S	16	#20×10	M22×1	25.2	11.5	50	CNR01SRM016010 CNR01SRF016010
SRCN6A21-10P	SRCN6A21-10S	21	#16×10	M26×1	29.2	14	54	CNR01SRM021010 CNR01SRF021010
SRCN6A21-16P	SRCN6A21-16S	21	#20×16	M26×1	29.2	14	54	CNR01SRM021016 CNR01SRF021016
SRCN6A25-16P	SRCN6A25-16S	25	#16×16	M30×1	33.2	17	57	CNR01SRM025016 CNR01SRF025016
SRCN6A25-24P	SRCN6A25-24S	25	#20×24	M30×1	33.2	17	57	CNR01SRM025024 CNR01SRF025024



Part number / Dimensions

Part number		Shell Size	Number of contacts and size	A Thread	$\phi B \pm 2$	$\phi C \pm 0.5$	D ± 2
Pin insert	Socket insert						
SRCN1A13-3P	SRCN1A13-3S	13	#16×3	M18×1	20	8.50	46
SRCN1A13-5P	SRCN1A13-5S	13	#20×5	M18×1	20	8.50	46
SRCN1A16-7P	SRCN1A16-7S	16	#16×7	M22×1	24	11.5	49
SRCN1A16-10P	SRCN1A16-10S	16	#20×10	M22×1	24	11.5	49
SRCN1A21-10P	SRCN1A21-10S	21	#16×10	M26×1	28	14	53
SRCN1A21-16P	SRCN1A21-16S	21	#20×16	M26×1	28	14	53
SRCN1A25-16P	SRCN1A25-16S	25	#16×16	M30×1	32	17	56
SRCN1A25-24P	SRCN1A25-24S	25	#20×24	M30×1	32	17	56

Technical documents

Specifications	JACS-5047
Handling manual	-

Notice:

1. The specifications provided in this brochure are for reference purpose only. The products and their specifications are subject to change without notice. Please contact our sales representatives for further information before considering or placing an order. A formal product specification must be agreed upon prior to purchase.
2. Users are responsible for implementing appropriate protection and redundancy circuits to ensure safety of the equipment and sufficiently review the suitability of JAE's products to the equipment.
3. The products presented in this brochure are designed for the uses recommended below. We strongly suggest you contact our sales staff when considering use of any of the products in any other way than the recommended applications or for a specific use that requires an extremely high reliability.
 - (1) Applications that require consultation:
 - (i) Please contact us if you are considering use involving a quality assurance program that you specify or that is peculiar to the industry, such as:
Automotive electrical components, train control, telecommunications devices (mainline), traffic light control, electric power, combustion control, fire prevention or security systems, disaster prevention equipment, etc.
 - (ii) We may provide separate support based on your specified quality assurance program, when you think of a use such as :
Aviation or space equipment, submarine repeaters, nuclear power control systems, medical equipment for life support, etc.
 - (2) Recommended applications include:
Computers, office appliances, telecommunications devices (terminals, mobile units), measuring equipment, audiovisual equipment, home electric appliances, factory automation equipment, etc.

Japan Aviation Electronics Industry, Limited

* The specifications in this brochure are subject to change without notice. Please contact JAE for information.