

60752-2 ✓ ACTIVE

AMPLIVAR

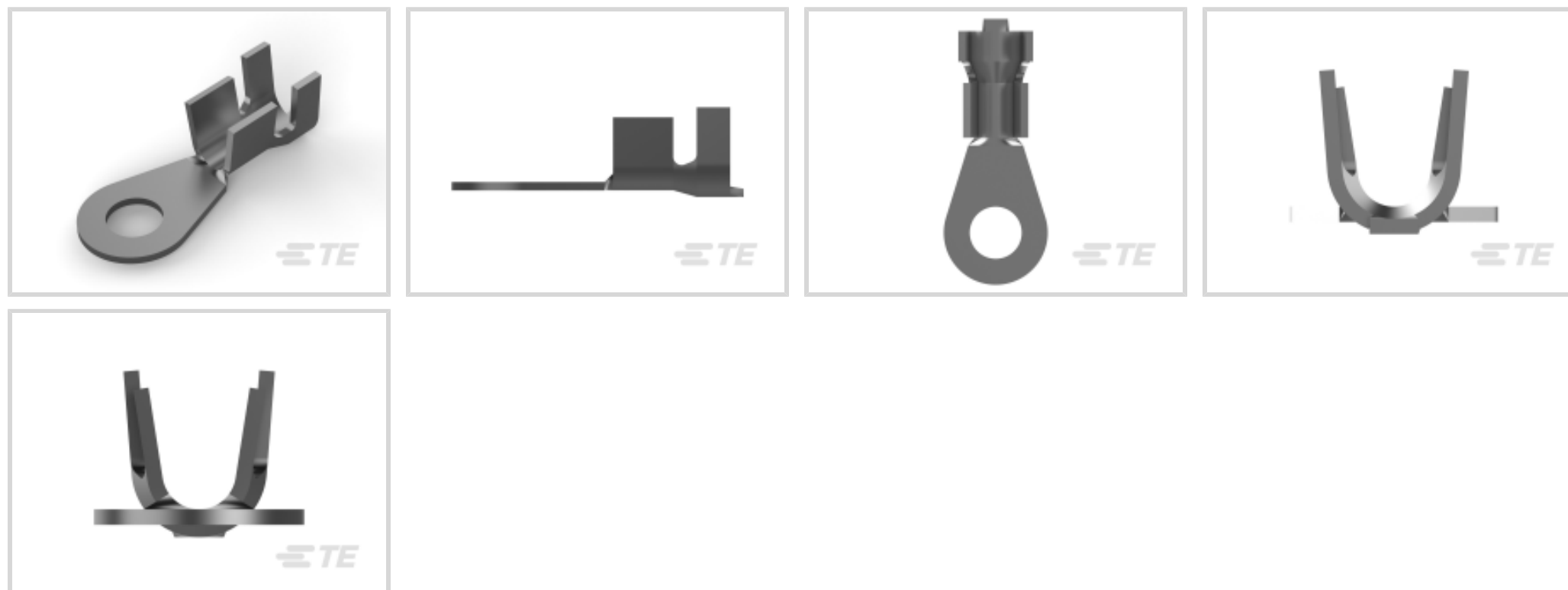
TE Internal #: 60752-2

Closed Ring Tongue Terminal, 17 – 15 AWG, #8 / M4 Stud Size, 4.17 mm [.164 in] Stud Diameter, Open Barrel, Straight, Tin, Uninsulated, AMPLIVAR

[View on TE.com >](#)



Terminals & Splices > Ring Terminals



Ring Terminal Product Type: Closed Ring Tongue Terminal

Wire Size: 2048 – 3256 CMA

Stud Size: #8, M4

Features

Product Type Features

|  |                             |
|--|-----------------------------|
| Ring Terminal Product Type             | Closed Ring Tongue Terminal |
| Stud Size                              | #8, M4                      |
| Sealable                               | No                          |
| Compatible With Discrete Wire Type     | Magnet Wire                 |
| Wire Insulation Support Retention Type | Insulation Support          |
| Shape Description                      | RING-028                    |

Dimensions

|                                      |                                    |
|--------------------------------------|------------------------------------|
| Wire Size                            | 2048 – 3256 CMA                    |
| Stud Diameter                        | 4.17 mm [.164 in]                  |
| Tongue Thickness                     | .64 mm [.025 in]                   |
| Product Length                       | 21 mm [.825 in]                    |
| Barrel Inside Diameter               | 4.31 mm, 3.05 mm [.12 in] [.17 in] |
| Compatible Insulation Diameter (Max) | 4.83 mm [.19 in]                   |
| Compatible Insulation Diameter Range | 3.81 – 4.83 mm [.15 – .19 in]      |

Contact Features



|                               |          |
|-------------------------------|----------|
| Barrel Type                   | Open     |
| Terminal Orientation          | Straight |
| Terminal Plating Material     | Tin      |
| Contact Underplating Material | Brass    |

### Usage Conditions

|                             |                            |
|-----------------------------|----------------------------|
| Insulation Option           | Uninsulated                |
| Operating Temperature Range | -40 – 105 °C[-40 – 221 °F] |

### Operation/Application

|                                    |                  |
|------------------------------------|------------------|
| Compatible With Wire Base Material | Aluminum, Copper |
|------------------------------------|------------------|

### Packaging Features

|                    |      |
|--------------------|------|
| Packaging Method   | Reel |
| Packaging Quantity | 6000 |

### Other

|                    |           |
|--------------------|-----------|
| EU RoHS Compliance | Compliant |
| EU ELV Compliance  | Compliant |

### Configuration Features

|                 |   |
|-----------------|---|
| Number of Holes | 1 |
|-----------------|---|

### Mechanical Attachment

|                         |      |
|-------------------------|------|
| Wire Insulation Support | With |
|-------------------------|------|

### Industry Standards

|                               |    |
|-------------------------------|----|
| Government Qualified Terminal | No |
|-------------------------------|----|

### Product Compliance

[For compliance documentation, visit the product page on TE.com>](#)

|   |   |
|---|---|
| EU RoHS Directive 2011/65/EU                  | Compliant   |
| EU ELV Directive 2000/53/EC                   | Compliant   |
| China RoHS 2 Directive MIIT Order No 32, 2016 | No Restricted Materials Above Threshold   |
| EU REACH Regulation (EC) No. 1907/2006        | Current ECHA Candidate List: JUNE 2024 (241)<br>Candidate List Declared Against: JUNE 2024 (241)<br>Does not contain REACH SVHC |
| Halogen Content                               | Low Halogen - Br, Cl, F, I < 900 ppm per homogenous material. Also BFR/CFR/PVC  |

Free

Solder Process Capability

Not applicable for solder process capability

## Product Compliance Disclaimer

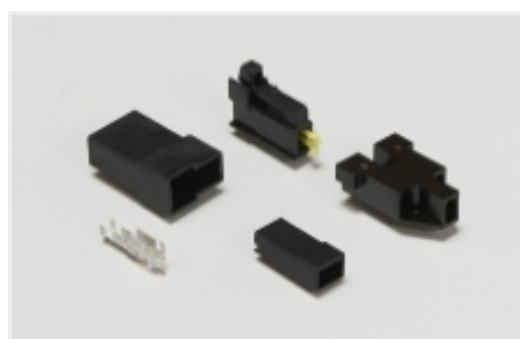
This information is provided based on reasonable inquiry of our suppliers and represents our current actual knowledge based on the information they provided. This information is subject to change. The part numbers that TE has identified as EU RoHS compliant have a maximum concentration of 0.1% by weight in homogenous materials for lead, hexavalent chromium, mercury, PBB, PBDE, DBP, BBP, DEHP, DIBP, and 0.01% for cadmium, or qualify for an exemption to these limits as defined in the Annexes of Directive 2011/65/EU (RoHS2). Finished electrical and electronic equipment products will be CE marked as required by Directive 2011/65/EU. Components may not be CE marked. Additionally, the part numbers that TE has identified as EU ELV compliant have a maximum concentration of 0.1% by weight in homogenous materials for lead, hexavalent chromium, and mercury, and 0.01% for cadmium, or qualify for an exemption to these limits as defined in the Annexes of Directive 2000/53/EC (ELV). Regarding the REACH Regulation, the information TE provides on SVHC in articles for this part number is based on the latest European Chemicals Agency (ECHA) 'Guidance on requirements for substances in articles' posted at this URL: <https://echa.europa.eu/guidance-documents/guidance-on-reach>

## Compatible Parts

Also in the Series | **AMPLIVAR**



Crimp Wire Pins, Tabs & Ferrules(5)



Magnet Wire Terminals(4)



PCB Terminals(1)



Quick Disconnects(40)



Ring Terminals(28)

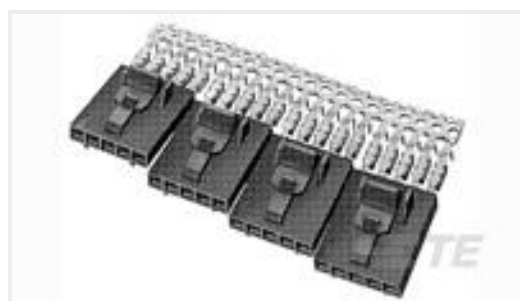


Splices(76)

## Customers Also Bought



TE Part #1-1761465-1  
PCI Express RA assy 5.8mm slot 3.1 mm pc



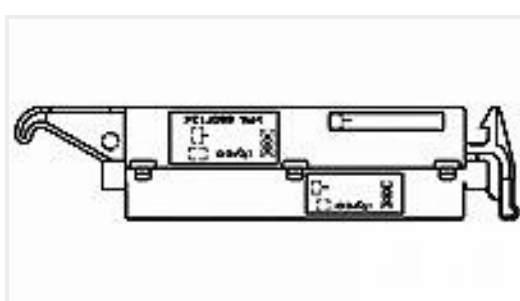
TE Part #5-103961-7  
2X8 MTE RCPT SR LATCH .100CL



TE Part #2-2316109-0  
20P,2MM,REC,HSG,DR,CRIMP,LCK RAMP,BOX



TE Part #ANT-868-CW-QW-SMA  
Antenna 1/4 Wave Whip 868MHz SMA



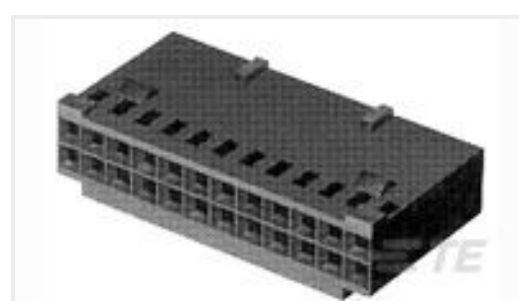
TE Part #827534-1  
25P GEH F DOPP-FEDK



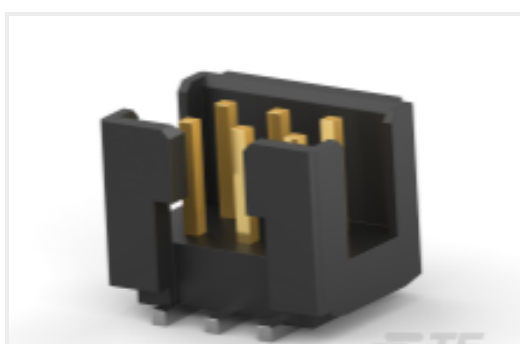
TE Part #1546641-1  
THRD THRU PNL INTRCNCT,M40,IE



TE Part #1-148167-5  
064 EURO TYP C RECP 13MM ASSY



TE Part #87733-4  
26 MODIV HSG W/STR RLF DR MRKD



TE Part #2373376-6  
6P,2MM,SHRD HDR,DRVT,SMD,0.1AU, TB

## Documents



## Product Drawings

[AMVAR RING IS 2/17-2/158TPBR](#)

English

---

## CAD Files

[3D PDF](#)

3D

Customer View Model

[ENG\\_CVM\\_CVM\\_60752-2\\_N.2d\\_dxf.zip](#)

English

Customer View Model

[ENG\\_CVM\\_CVM\\_60752-2\\_N.3d\\_igs.zip](#)

English

Customer View Model

[ENG\\_CVM\\_CVM\\_60752-2\\_N.3d\\_stp.zip](#)

English

By downloading the CAD file I accept and agree to the [Terms and Conditions](#) of use.

---

## Product Specifications

[Application Specification](#)

English