

33467 ✓ ACTIVE

SOLISTRAND

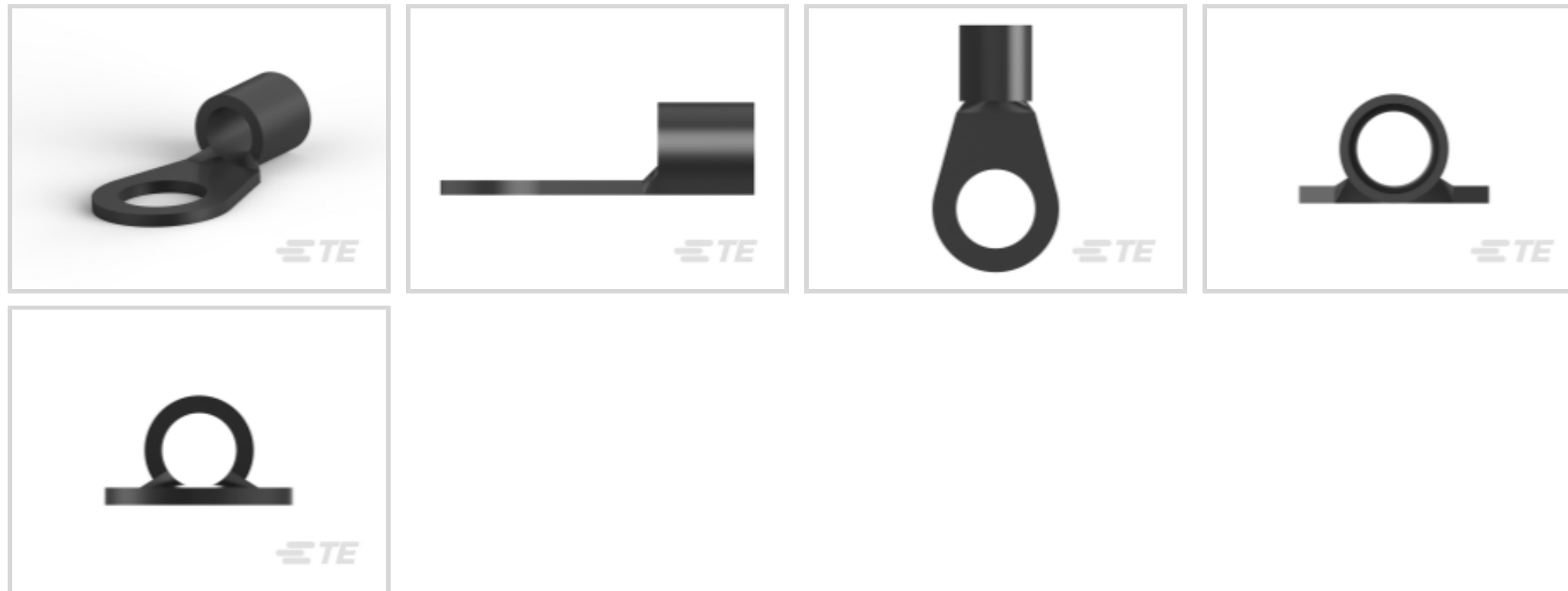
TE Internal #: 33467

Closed Ring Tongue Terminal, 6 AWG, 3/8 Stud Size, 9.9 mm [.39 in] Stud Diameter, Closed Barrel, Straight, Tin, Uninsulated

[View on TE.com >](#)



Terminals & Splices > Ring Terminals



Ring Terminal Product Type: Closed Ring Tongue Terminal

Wire Size: 20800 – 33100 CMA

Stud Size: 3/8

### Features

#### Product Type Features

Ring Terminal Product Type	Closed Ring Tongue Terminal
Stud Size	3/8
Sealable	No
Wire Insulation Support Retention Type	Non-Insulation Support

#### Dimensions

Wire Size	20800 – 33100 CMA
Stud Diameter	9.9 mm [.39 in]
Tongue Thickness	1.45 mm [.057 in]
Product Length	31.65 mm [1.246 in]
Barrel Inside Diameter	5.89 mm [.232 in]

#### Contact Features

Barrel Type	Closed
Terminal Orientation	Straight
Terminal Plating Material	Tin

#### Usage Conditions

Insulation Option	Uninsulated
-------------------	-------------



Operating Temperature Range	170 °C[338 °F]
-----------------------------	----------------

### Operation/Application

Compatible With Wire Base Material	Copper
Compatible With Wire Plating Material	Tin

### Packaging Features

Packaging Method	Loose Piece
Packaging Quantity	100

### Other

EU RoHS Compliance	Compliant
EU ELV Compliance	Compliant

### Configuration Features

Number of Holes	1
-----------------	---

### Mechanical Attachment

Wire Insulation Support	Without
-------------------------	---------

### Industry Standards

Government Qualified Terminal	No
-------------------------------	----

## Product Compliance

[For compliance documentation, visit the product page on TE.com>](#)

EU RoHS Directive 2011/65/EU	Compliant
EU ELV Directive 2000/53/EC	Compliant
China RoHS 2 Directive MIIT Order No 32, 2016	No Restricted Materials Above Threshold
EU REACH Regulation (EC) No. 1907/2006	Current ECHA Candidate List: JUNE 2024 (241) Candidate List Declared Against: JUNE 2024 (241) Does not contain REACH SVHC
Halogen Content	Low Halogen - Br, Cl, F, I < 900 ppm per homogenous material. Also BFR/CFR/PVC Free
Solder Process Capability	Not applicable for solder process capability

#### Product Compliance Disclaimer

This information is provided based on reasonable inquiry of our suppliers and represents our current actual knowledge based on the information they provided. This information is subject to change. The part numbers that TE has identified as EU RoHS compliant have a maximum concentration of 0.1% by weight in homogenous materials for lead, hexavalent



chromium, mercury, PBB, PBDE, DBP, BBP, DEHP, DIBP, and 0.01% for cadmium, or qualify for an exemption to these limits as defined in the Annexes of Directive 2011/65/EU (RoHS2). Finished electrical and electronic equipment products will be CE marked as required by Directive 2011/65/EU. Components may not be CE marked. Additionally, the part numbers that TE has identified as EU ELV compliant have a maximum concentration of 0.1% by weight in homogenous materials for lead, hexavalent chromium, and mercury, and 0.01% for cadmium, or qualify for an exemption to these limits as defined in the Annexes of Directive 2000/53/EC (ELV). Regarding the REACH Regulation, the information TE provides on SVHC in articles for this part number is based on the latest European Chemicals Agency (ECHA) 'Guidance on requirements for substances in articles' posted at this URL: <https://echa.europa.eu/guidance-documents/guidance-on-reach>

### Compatible Parts



TE Part # 1490414-2  
HYP10 SOLIS HD 6-4AWG INDENTER



TE Part # 2-33467-3  
SOLIS RING 6 3/8



TE Part # 601075  
BANTAM ROTA-CRIMP TOOL



TE Part # 8-33467-3  
TERMINAL, SOLIS R 6 3/8



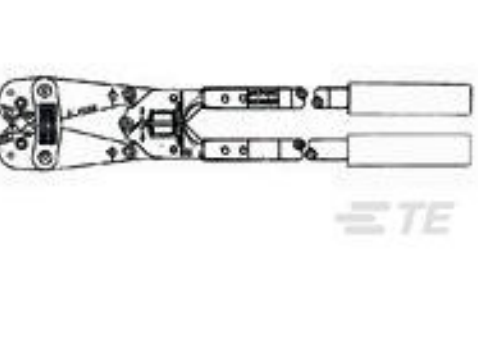
TE Part # 69217  
HYP8/10 SOLIS 6AWG DIE SET



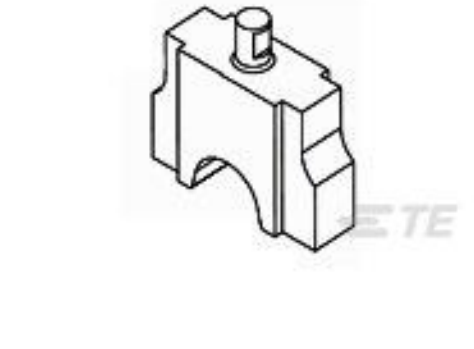
TE Part # 48127  
HYP8 SOLIS 6-2AWG INDENTER



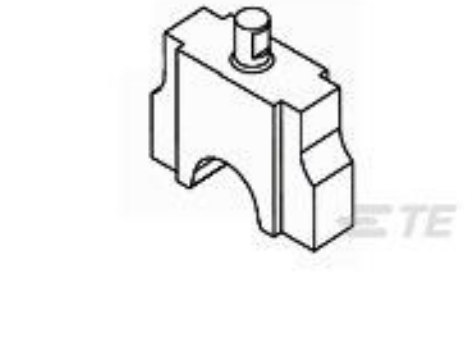
TE Part # 1490413-2  
HYP10 SOLIS HD 8AWG NEST



TE Part # 600850  
ROTO-CRIMP TOOL (ASI)



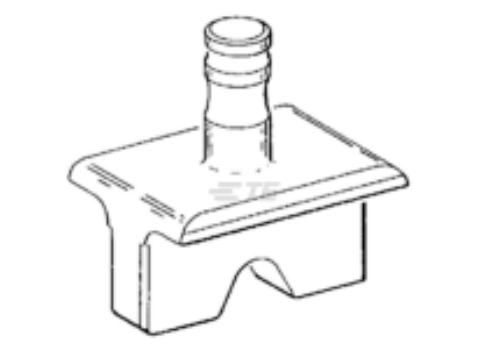
TE Part # 1901000-1  
NEST #6



TE Part # 1901002-1  
INDENTER, SOLISTRAND

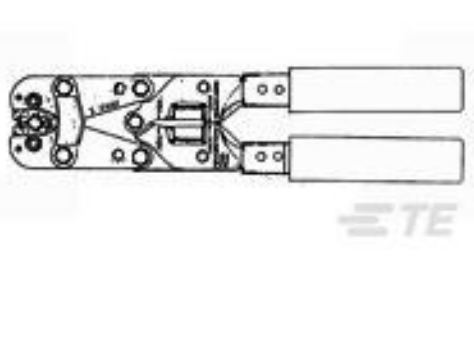


TE Part # 47814  
DIES SOLIS 12-10 DIE SET



TE Part # 48128  
HYP8 SOLIS 6AWG NEST

### Customers Also Bought



TE Part #601075-1  
BANTAM ROTA-CRIMP TOOL (ASI)



TE Part #324227  
PG SHUR PLUG 16-14



TE Part #35184  
TERMINAL, SOLIS R 2 3/8



TE Part #35185  
TERMINAL, SOLIS R 2 1/2



## Documents

### Product Drawings

[TERMINAL,SOLIS R 6 3/8](#)

English

### CAD Files

Customer View Model

[ENG\\_CVM\\_CVM\\_33467\\_AC.2d\\_dxf.zip](#)

English

[3D PDF](#)

3D

Customer View Model

[ENG\\_CVM\\_CVM\\_33467\\_AC.3d\\_igs.zip](#)

English

Customer View Model

[ENG\\_CVM\\_CVM\\_33467\\_AC.3d\\_stp.zip](#)

English

By downloading the CAD file I accept and agree to the [Terms and Conditions](#) of use.

### Datasheets & Catalog Pages

[SOLISTRAND - QRG](#)

English

### Instruction Sheets

[Instruction Sheet \(U.S.\)](#)

English

### Agency Approvals

[UL Report](#)

33467

Closed Ring Tongue Terminal, 6 AWG, 3/8 Stud Size, 9.9 mm [.39 in] Stud Diameter,  
Closed Barrel, Straight, Tin, Uninsulated



English

[UL Report](#)

English