

1-929504-7 ✓ ACTIVE

AMP | Junior Power Timer

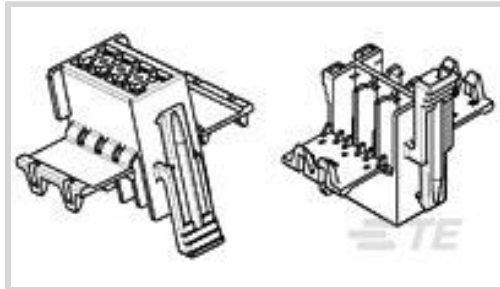
TE Internal #: 1-929504-7

Housing for Female Terminals, Wire-to-Wire, 22 Position, 5 mm [.197 in] Centerline, Natural, Wire & Cable, Power, Junior Power Timer

[View on TE.com >](#)



Connectors > Automotive Connectors > Automotive Housings > Timer Connector Housing



Connector System: **Wire-to-Wire**

Number of Positions: **22**

Connector & Housing Type: **Housing for Female Terminals**

Centerline (Pitch): **5 mm [.197 in]**

Sealable: **No**

[All Timer Connector Housing \(497\)](#)

Features

Product Type Features

Connector System	Wire-to-Wire
Connector & Housing Type	Housing for Female Terminals
Sealable	No
Connector & Contact Terminates To	Wire & Cable
Primary Locking Feature	Integrated in Housing
Mixed & Hybrid Connector	No
Connector Shape	Rectangular

Configuration Features

Number of Positions	22
Number of Rows	2

Housing Features

Centerline (Pitch)	5 mm [.197 in]
Housing Material	PBT

Contact Features

Mating Tab Width	3 mm [.118 in]
Contact Size	2.8mm
Contact Type	Receptacle



Body Features

Primary Product Color	Natural
Cable Exit Angle	180°

Operation/Application

Circuit Application	Power
---------------------	-------

Mechanical Attachment

Connector Mounting Type	Cable Mount (Free-Hanging)
Strain Relief	Without
Terminal Position Assurance	No
Mating Alignment Type	Polarized
Mating Alignment	With

Usage Conditions

Operating Temperature (Max)	130 °C[266 °F]
Operating Temperature Range	-40 – 130 °C[-40 – 266 °F]

Other

Connector Position Assurance Capable	No
EU RoHS Compliance	Compliant
EU ELV Compliance	Compliant
Serviceable	No

Dimensions

Row-to-Row Spacing	5.6 mm[.22 in]
Product Width	16 mm[.629 in]
Product Length	63.5 mm[2.5 in]
Connector Height	29.5 mm[1.16 in]

Packaging Features

Packaging Quantity	600
Packaging Method	Carton

Product Compliance

[For compliance documentation, visit the product page on TE.com>](#)

EU RoHS Directive 2011/65/EU	Compliant
------------------------------	-----------



EU ELV Directive 2000/53/EC	Compliant
China RoHS 2 Directive MIIT Order No 32, 2016	No Restricted Materials Above Threshold
EU REACH Regulation (EC) No. 1907/2006	Current ECHA Candidate List: JUNE 2024 (241) Candidate List Declared Against: JUNE 2024 (241) Does not contain REACH SVHC
Halogen Content	Not Low Halogen - contains Br or Cl > 900 ppm.
Solder Process Capability	Not applicable for solder process capability

Product Compliance Disclaimer

This information is provided based on reasonable inquiry of our suppliers and represents our current actual knowledge based on the information they provided. This information is subject to change. The part numbers that TE has identified as EU RoHS compliant have a maximum concentration of 0.1% by weight in homogenous materials for lead, hexavalent chromium, mercury, PBB, PBDE, DBP, BBP, DEHP, DIBP, and 0.01% for cadmium, or qualify for an exemption to these limits as defined in the Annexes of Directive 2011/65/EU (RoHS2). Finished electrical and electronic equipment products will be CE marked as required by Directive 2011/65/EU. Components may not be CE marked. Additionally, the part numbers that TE has identified as EU ELV compliant have a maximum concentration of 0.1% by weight in homogenous materials for lead, hexavalent chromium, and mercury, and 0.01% for cadmium, or qualify for an exemption to these limits as defined in the Annexes of Directive 2000/53/EC (ELV). Regarding the REACH Regulation, the information TE provides on SVHC in articles for this part number is based on the latest European Chemicals Agency (ECHA) 'Guidance on requirements for substances in articles' posted at this URL: <https://echa.europa.eu/guidance-documents/guidance-on-reach>

Compatible Parts



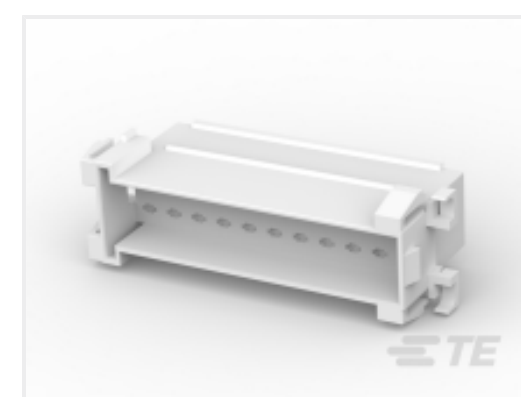
TE Part # CAT-T4827-CH8172
Timer Connector Housing



TE Part # CAT-LMPH9507
Low & Medium Power Header



TE Part # CAT-T4827-T273
TIMER, RECEPTACLE AND TAB



TE Part # 1-929505-7
TAB HSG .110 (2.8 MM) HSG TAB



TE Part # 1-929505-2
TAB HSG .110 (2.8 MM) HSG TAB



TE Part # 1-929505-3
TAB HSG .110 (2.8 MM) HSG TAB



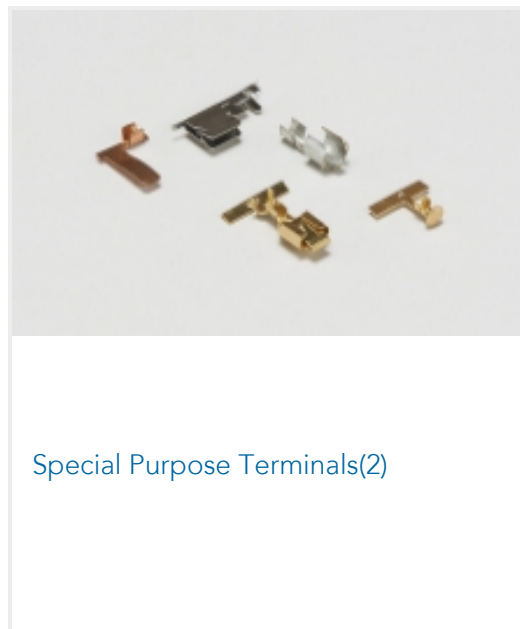
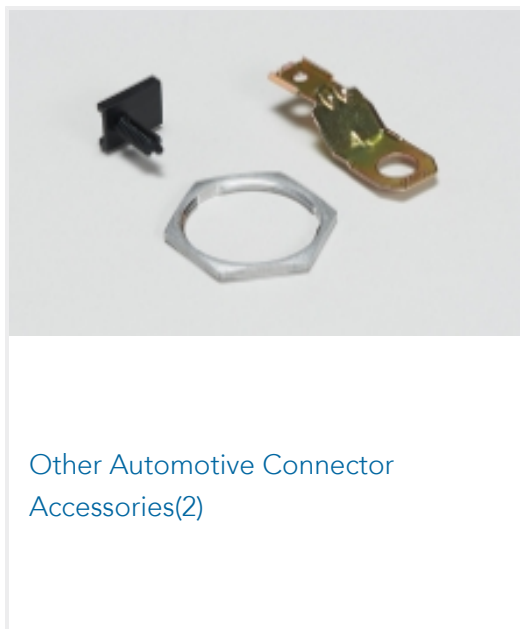
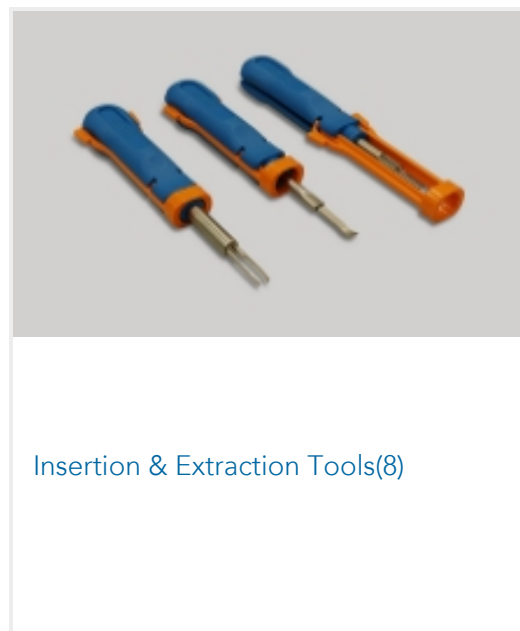
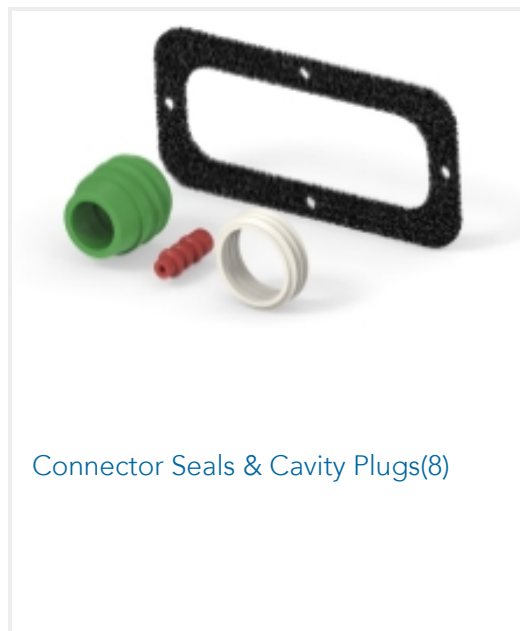
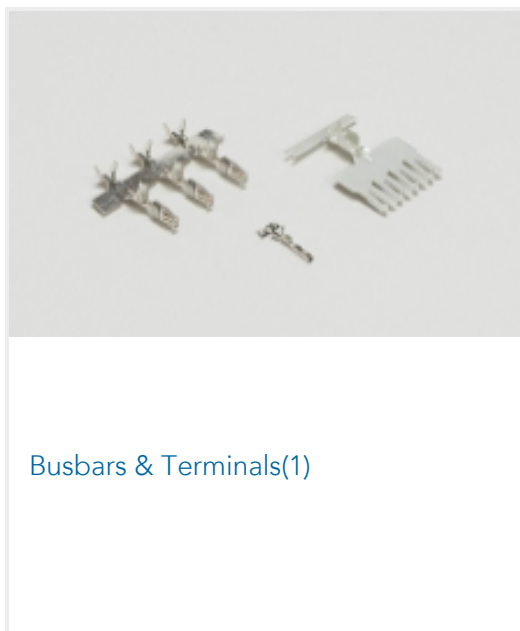
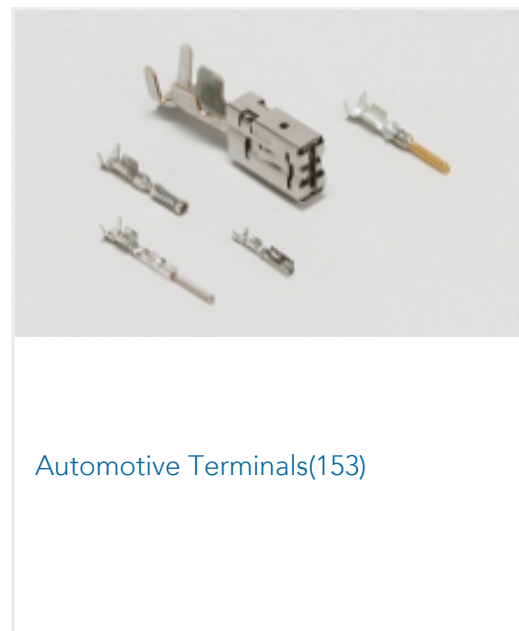
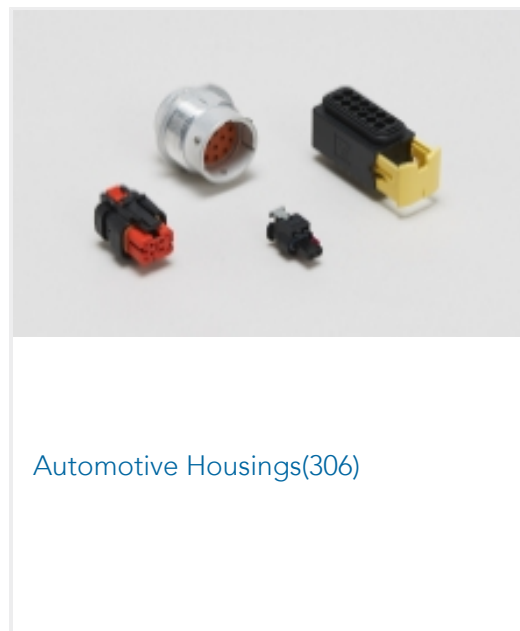
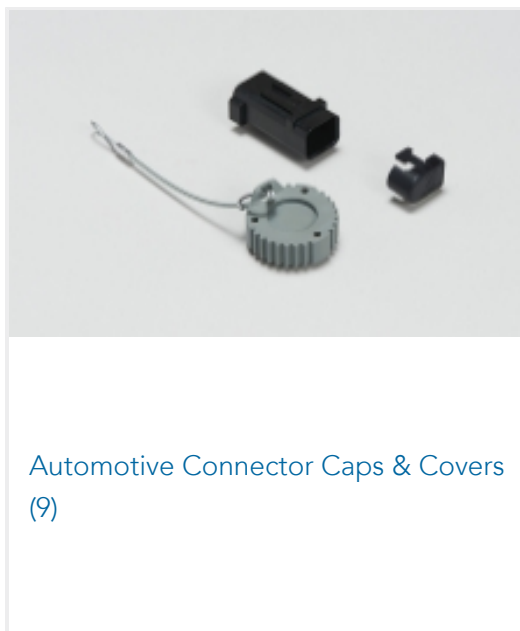
TE Part # 1-929505-4
TAB HSG .110 (2.8 MM) HSG TAB



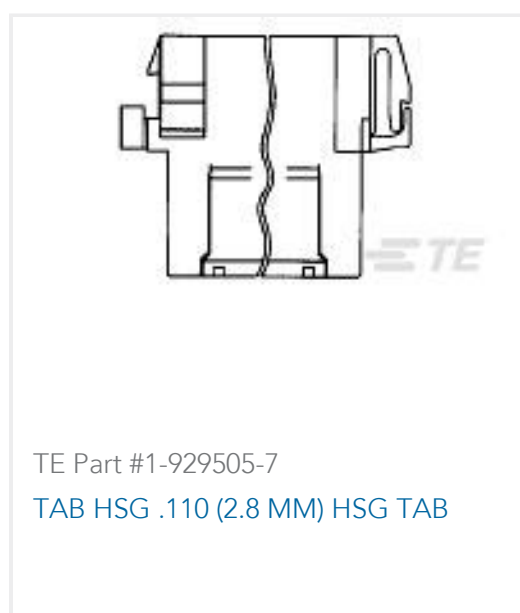
TE Part # 1-929505-6
FF FLA-STE-GEH2X 9P

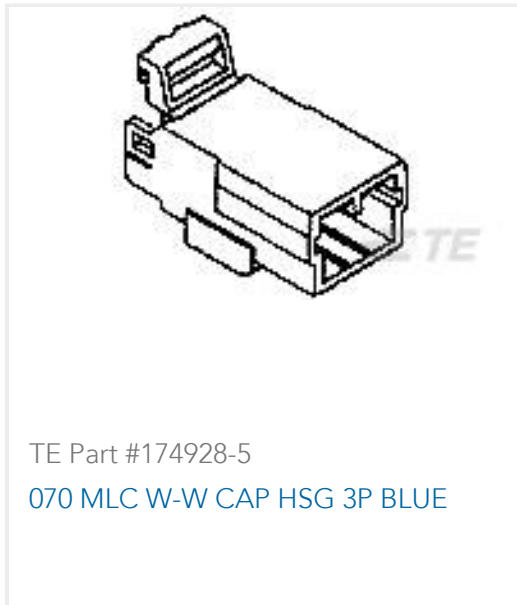
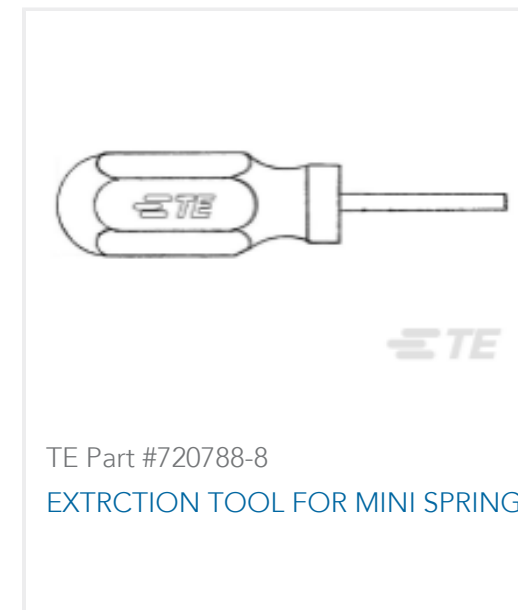


Also in the Series | Junior Power Timer



Customers Also Bought





Documents

Product Drawings

2X11P JUN-POW-TIMGH

English

CAD Files

Customer View Model

[ENG_CVM_CVM_1-929504-7_N.2d_dxf.zip](#)

English

3D PDF

3D

Customer View Model

[ENG_CVM_CVM_1-929504-7_N.3d_igs.zip](#)

English

Customer View Model

[ENG_CVM_CVM_1-929504-7_N.3d_stp.zip](#)

English

By downloading the CAD file I accept and agree to the [Terms and Conditions](#) of use.

Product Specifications

Application Specification

English