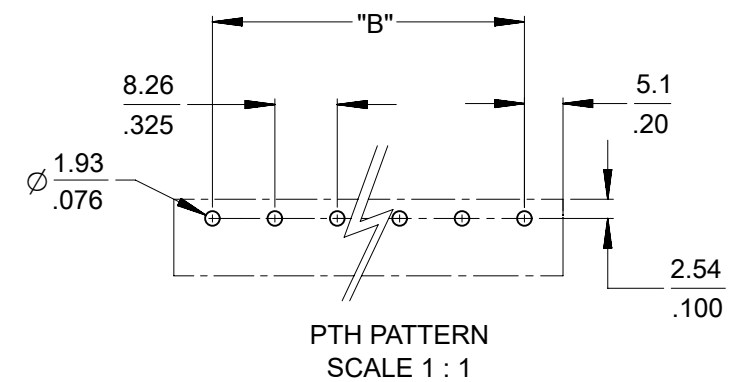
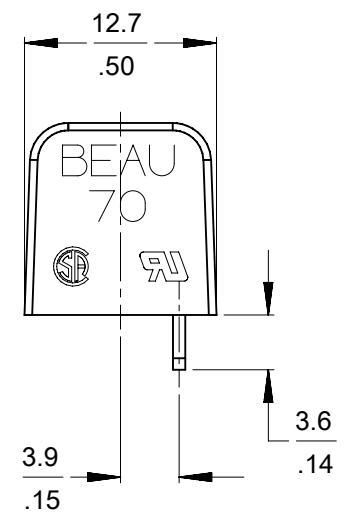
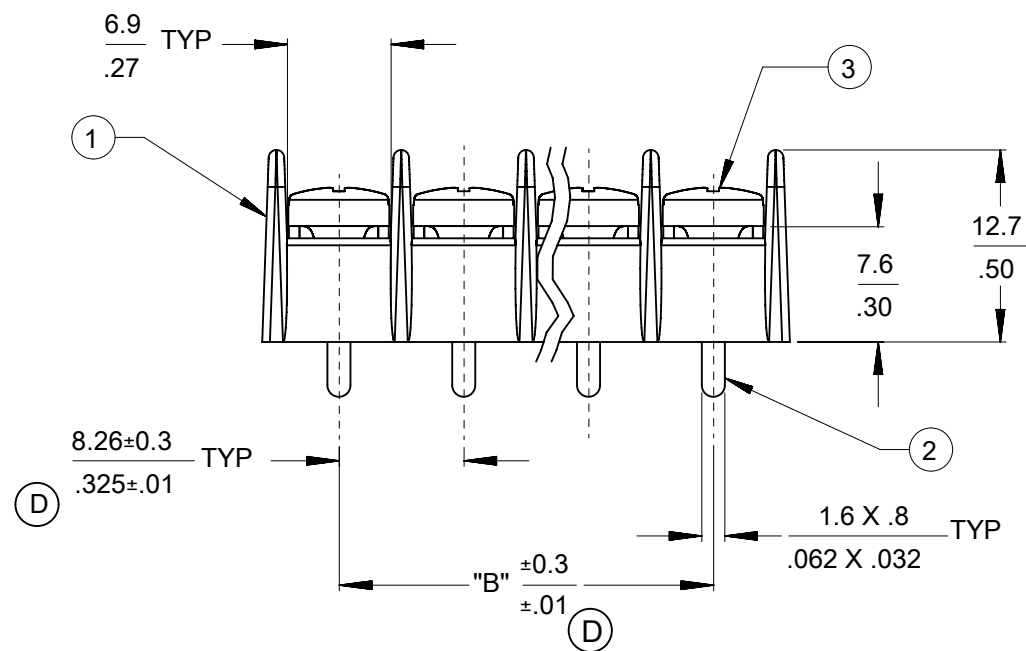


MARKING CAN BE ON BOTH SIDES OR ONE SIDE ONLY (D)



NOTES:

1. MATERIAL: SEE TABLE.
2. FINISHES: SEE TABLE.
3. "XX" REFERS TO THE QUANTITY OF CIRCUITS POSITIONS.
4. ROHS COMPLIANT

5	"XX"	SCREW, #6-32, PAN HD, PH-SL, W/SQ WSHR (-50-92)	STEEL	ZN, NOKROM COATING
4	"XX"	SCREW, #6-32, PAN HD, PH-SL, W/SQ WSHR (-50)	STEEL	ZN, CLEAR CHROMATE
3	"XX"	SCREW, #6-32, PAN HD, PH-SL (STANDARD)	STEEL	ZN, CLEAR CHROMATE
2	"XX"	TERMINAL	BRASS	TIN
1	1	BARRIER	POLYESTER (PBT)	BLACK
ITEM	QTY	DESCRIPTION	MATERIAL	FINISH

THIS DRAWING CONTAINS INFORMATION THAT IS PROPRIETARY TO MOLEX ELECTRONIC TECHNOLOGIES, LLC AND SHOULD NOT BE USED WITHOUT WRITTEN PERMISSION

DIMENSION UNITS mm	SCALE 2:1	CURRENT REV DESC: REMOVED OBSOLETE PART NUMBERS AS PER PCN#513405	molex		
GENERAL TOLERANCES (UNLESS SPECIFIED)					
4 PLACES ±			PRODUCT CUSTOMER DRAWING		
3 PLACES ±			DOCUMENT NUMBER		
2 PLACES ± 0.13			SD-38700-001		
1 PLACE ± 0.3			DOC TYPE DOC PART REVISION		
0 PLACES ±			PSD 001 F		
ANGULAR TOL ± 2.0°			MATERIAL NUMBER CUSTOMER SHEET NUMBER		
DRAFT WHERE APPLICABLE MUST REMAIN WITHIN DIMENSIONS	THIRD ANGLE PROJECTION	DRAWING B-SIZE	SERIES 38700	SEE CHART	GENERAL MARKET 1 OF 2

EC NO: 784316
 DRWN: VISHAH2 2024/04/22
 CHK'D: GGA 2024/05/13
 APPR: GGA 2024/05/13
 INITIAL REVISION:
 DRWN: R. KEMP 2003/07/16
 APPR: P. WALTZ 2003/07/17

NUMBER OF CIRCUITS "XX"	DIM "A"		DIM "B"		STANDARD MATERIAL NO.	-50 OPTION MATERIAL NO.
	mm	in	mm	in		
01	10.2	.40	-	-	387006301	387007501
02	18.4	.73	8.26	.325	387006302	387007502
03	26.7	1.05	16.51	.650	387006303	387007503
04	34.9	1.38	24.77	.975	387006304	387007504
05	43.2	1.70	33.02	1.300	387006305	---
06	51.4	2.03	41.28	1.625	387006306	387007506
07	59.7	2.35	49.53	1.950	387006307	387007507
08	67.9	2.68	57.79	2.275	387006308	387007508
10	84.5	3.33	74.30	2.925	387006310	387007510
11	92.7	3.65	82.55	3.250	---	387007511
12	101.0	3.98	90.81	3.575	---	387007512
14	117.5	4.63	107.32	4.225	387006314	387007514
16	134.0	5.28	123.83	4.875	387006316	---
17	142.2	5.60	132.80	5.200	387006317	---
22	183.5	7.23	173.36	6.825	387006322	---
23	191.8	7.55	181.61	7.150	387006323	387007523
25	208.3	8.20	198.12	7.800	---	387007525
27	224.8	8.85	214.63	8.450	387006327	387007527
28	233.0	9.18	222.89	8.775	387006328	387007528
29	241.3	9.50	231.14	9.100	387006329	387007529
30	249.6	9.83	239.40	9.425	---	387007530

THIS DRAWING CONTAINS INFORMATION THAT IS PROPRIETARY TO MOLEX ELECTRONIC TECHNOLOGIES, LLC AND SHOULD NOT BE USED WITHOUT WRITTEN PERMISSION											
DIMENSION UNITS mm		SCALE 2:1		CURRENT REV DESC: REMOVED OBSOLETE PART NUMBERS AS PER PCN#513405				molex		8.26/.325 SR BTS ASSY, PC, NO MTG ENDS	
GENERAL TOLERANCES (UNLESS SPECIFIED)				EC NO: 784316		2024/04/22					
		MM	INCH	DRWN: VISHAH2		2024/05/13		PRODUCT CUSTOMER DRAWING			
4 PLACES ±				CHK'D: GGA		2024/05/13					
3 PLACES ±		0.13	0.01	APPR: GGA		2024/05/13		DOCUMENT NUMBER SD-38700-001			
2 PLACES ±				INITIAL REVISION:							DOC TYPE
1 PLACE ±		0.3		DRWN: R. KEMP		2003/07/16		PSD	001	F	
0 PLACES ±				APPR: P. WALTZ		2003/07/17					
ANGULAR TOL ±		2.0°		THIRD ANGLE PROJECTION		DRAWING	SERIES	MATERIAL NUMBER	CUSTOMER	SHEET NUMBER	
DRAFT WHERE APPLICABLE MUST REMAIN WITHIN DIMENSIONS				B-SIZE		38700	SEE CHART	GENERAL MARKET		2 OF 2	