

324082 ✓ ACTIVE

TERMINYL

TE Internal #: 324082

Closed Ring Tongue Terminal, 8 AWG, M6 Stud Size, 6.35 mm [.25 in] Stud Diameter, Closed Barrel, Straight, Tin, Partially Insulated

[View on TE.com >](#)



Terminals & Splices > Ring Terminals



Ring Terminal Product Type: Closed Ring Tongue Terminal

Wire Size: 13100 – 20800 CMA

Stud Size: M6

Features

Product Type Features

Ring Terminal Product Type	Closed Ring Tongue Terminal
Stud Size	M6
Sealable	No
Wire Insulation Support Retention Type	Insulation Support

Dimensions

Wire Size	13100 – 20800 CMA
Stud Diameter	6.35 mm [.25 in]
Tongue Thickness	.79 mm [.031 in]
Product Length	36.2 mm [1.425 in]
Compatible Insulation Diameter (Max)	6.5 mm [.256 in]
Compatible Insulation Diameter Range	6.5 mm [.256 in]

Contact Features

Barrel Type	Closed
Terminal Orientation	Straight
Terminal Plating Material	Tin

Usage Conditions



Insulation Option	Partially Insulated
-------------------	---------------------

Operating Temperature Range	105 °C[221 °F]
-----------------------------	----------------

Operation/Application

Compatible With Wire Base Material	Copper
------------------------------------	--------

Compatible With Wire Plating Material	Tin
---------------------------------------	-----

Packaging Features

Packaging Method	Loose Piece
------------------	-------------

Packaging Quantity	100
--------------------	-----

Other

EU RoHS Compliance	Compliant
--------------------	-----------

EU ELV Compliance	Compliant
-------------------	-----------

Configuration Features

Number of Holes	1
-----------------	---

Body Features

Product Weight	3.14 g
----------------	--------

Insulation Sleeve Color	Red
-------------------------	-----

Stripe Color	Red
--------------	-----

Mechanical Attachment

Wire Insulation Support	With
-------------------------	------

Industry Standards

Government Qualified Terminal	No
-------------------------------	----

Product Compliance

[For compliance documentation, visit the product page on TE.com>](#)

EU RoHS Directive 2011/65/EU	Compliant
------------------------------	-----------

EU ELV Directive 2000/53/EC	Compliant
-----------------------------	-----------

China RoHS 2 Directive MIIT Order No 32, 2016	No Restricted Materials Above Threshold
---	---

EU REACH Regulation (EC) No. 1907/2006	Current ECHA Candidate List: JUNE 2024 (241) Candidate List Declared Against: JUNE 2024 (241) Does not contain REACH SVHC
--	---

Halogen Content	BFR/CFR/PVC Free, but Br/Cl >900 ppm in other sources.
-----------------	--

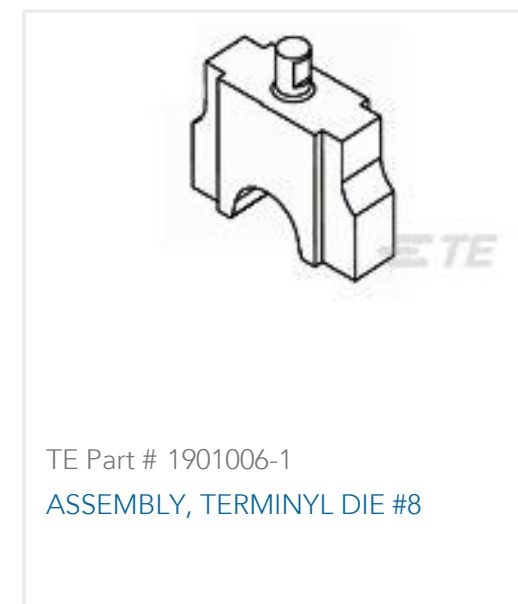
Solder Process Capability

Not applicable for solder process capability

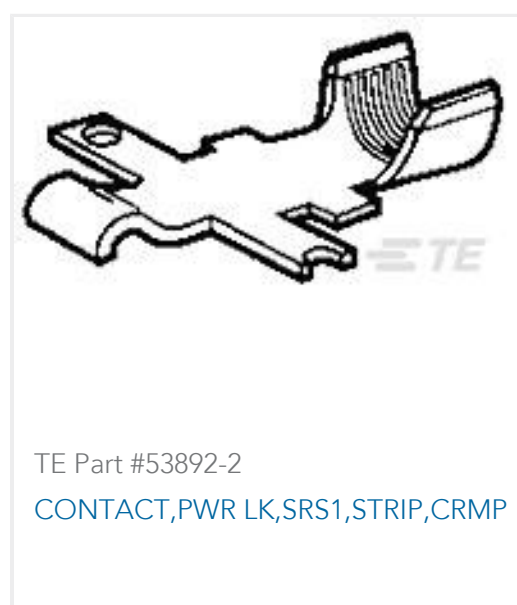
Product Compliance Disclaimer

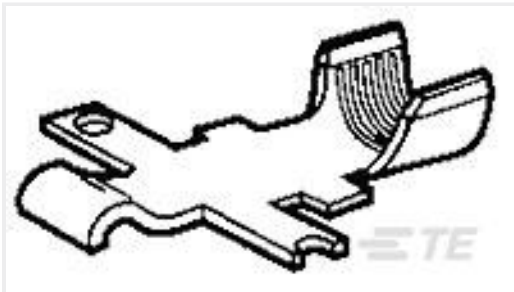
This information is provided based on reasonable inquiry of our suppliers and represents our current actual knowledge based on the information they provided. This information is subject to change. The part numbers that TE has identified as EU RoHS compliant have a maximum concentration of 0.1% by weight in homogenous materials for lead, hexavalent chromium, mercury, PBB, PBDE, DBP, BBP, DEHP, DIBP, and 0.01% for cadmium, or qualify for an exemption to these limits as defined in the Annexes of Directive 2011/65/EU (RoHS2). Finished electrical and electronic equipment products will be CE marked as required by Directive 2011/65/EU. Components may not be CE marked. Additionally, the part numbers that TE has identified as EU ELV compliant have a maximum concentration of 0.1% by weight in homogenous materials for lead, hexavalent chromium, and mercury, and 0.01% for cadmium, or qualify for an exemption to these limits as defined in the Annexes of Directive 2000/53/EC (ELV). Regarding the REACH Regulation, the information TE provides on SVHC in articles for this part number is based on the latest European Chemicals Agency (ECHA) 'Guidance on requirements for substances in articles' posted at this URL: <https://echa.europa.eu/guidance-documents/guidance-on-reach>

Compatible Parts



Customers Also Bought

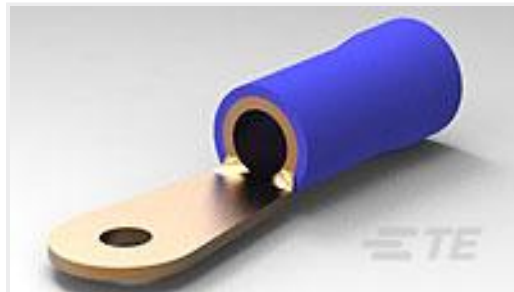




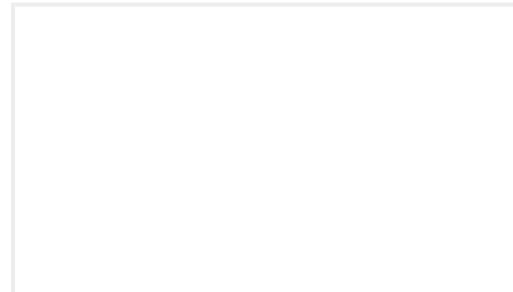
TE Part #53880-2
CONTACT,PWR LK,SRS2,STRIP,CRMP



TE Part #66582-2
TYPE VI SKT CONT,MULTI-MATE



TE Part #52042-4
TERMINAL,R PG 6 10



TE Part #9-1532019-3
095-0573-0952=MCJB2-10S5L4-0.



TE Part #BKA199N00550200000
923 EXTENSION, SPEEDTEC-READY

Documents

Product Drawings

[TERMINAL,T-N R 8 1/4](#)

English

CAD Files

[3D PDF](#)

3D

Customer View Model

[ENG_CVM_CVM_324082_N.2d_dxf.zip](#)

English

Customer View Model

[ENG_CVM_CVM_324082_N.3d_igs.zip](#)

English

Customer View Model

[ENG_CVM_CVM_324082_N.3d_stp.zip](#)

English

[3D PDF](#)

English

Customer View Model

[ENG_CVM_324082_F.2d_dxf.zip](#)

English

Customer View Model

[ENG_CVM_324082_F.3d_igs.zip](#)

English

Customer View Model

[ENG_CVM_324082_F.3d_stp.zip](#)

English

324082

Closed Ring Tongue Terminal, 8 AWG, M6 Stud Size, 6.35 mm [.25 in] Stud Diameter,
Closed Barrel, Straight, Tin, Partially Insulated



By downloading the CAD file I accept and agree to the [Terms and Conditions](#) of use.