

175965-2 ✓ ACTIVE

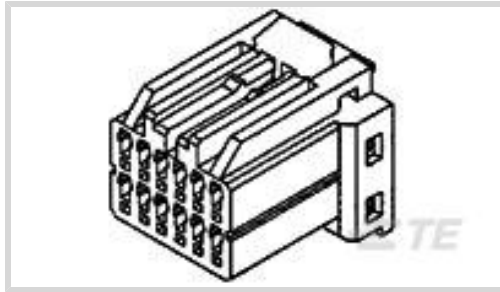
AMP | Multilock Connector System

TE Internal #: 175965-2

TE Internal Description: 040 MLC II PLUG HSG ASSY 12P

MULTILOCK, CONNECTOR HOUSING

[View on TE.com >](#)



All MULTILOCK, CONNECTOR HOUSING (146)

Product Compliance

[For compliance documentation, visit the product page on TE.com>](#)

EU RoHS Directive 2011/65/EU	Compliant
EU ELV Directive 2000/53/EC	Compliant
China RoHS 2 Directive MIIT Order No 32, 2016	No Restricted Materials Above Threshold
EU REACH Regulation (EC) No. 1907/2006	Current ECHA Candidate List: JUNE 2024 (241) Candidate List Declared Against: JUNE 2024 (241) Does not contain REACH SVHC
Halogen Content	Low Halogen - Br, Cl, F, I < 900 ppm per homogenous material. Also BFR/CFR/PVC Free
Solder Process Capability	Not applicable for solder process capability

Product Compliance Disclaimer

This information is provided based on reasonable inquiry of our suppliers and represents our current actual knowledge based on the information they provided. This information is subject to change. The part numbers that TE has identified as EU RoHS compliant have a maximum concentration of 0.1% by weight in homogenous materials for lead, hexavalent chromium, mercury, PBB, PBDE, DBP, BBP, DEHP, DIBP, and 0.01% for cadmium, or qualify for an exemption to these limits as defined in the Annexes of Directive 2011/65/EU (RoHS2). Finished electrical and electronic equipment products will be CE marked as required by Directive 2011/65/EU. Components may not be CE marked. Additionally, the part numbers that TE has identified as EU ELV compliant have a maximum concentration of 0.1% by weight in homogenous materials for lead, hexavalent chromium, and mercury, and 0.01% for cadmium, or qualify for an exemption to these limits as defined in the Annexes of Directive 2000/53/EC (ELV). Regarding the REACH Regulation, the information TE provides on SVHC in articles for this part number is based on the latest European Chemicals Agency (ECHA) 'Guidance on requirements for substances in articles' posted at this URL: <https://echa.europa.eu/guidance-documents/guidance-on-reach>

Compatible Parts



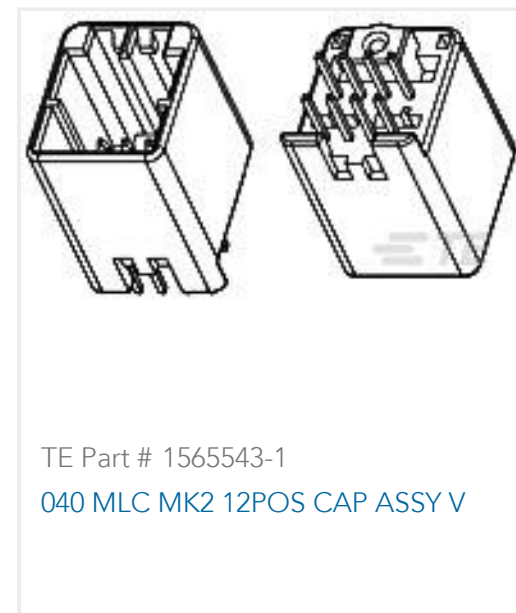
TE Part # CAT-M9194-T273
MULTILOCK, RECEPTACLE AND TAB



TE Part # CAT-SIGH262
Signal Header



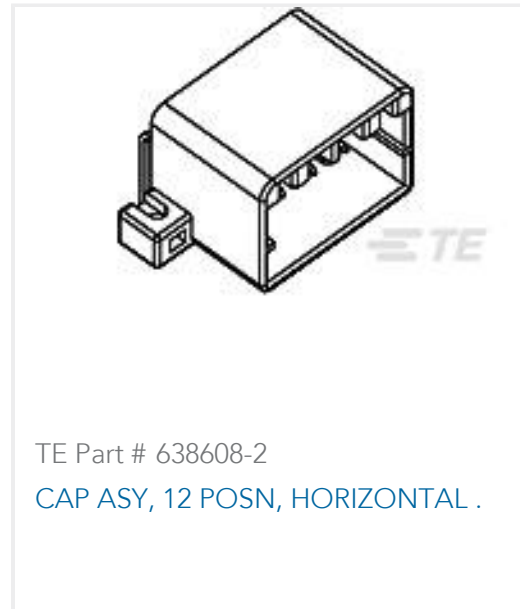
TE Part # 175062-2
040 MULTILOCK REC CONT. L/P



TE Part # 1565543-1
040 MLC MK2 12POS CAP ASSY V



TE Part # 1-5175976-2
040 MLC MK2 28POS CAP ASSY H AU



TE Part # 638608-2
CAP ASY, 12 POSN, HORIZONTAL .

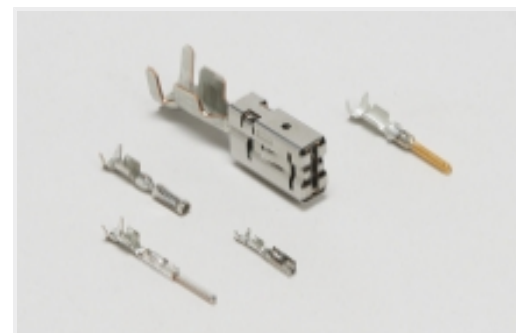
Also in the Series | Multilock Connector System



Automotive Connector Caps & Covers
(6)



Automotive Housings(165)



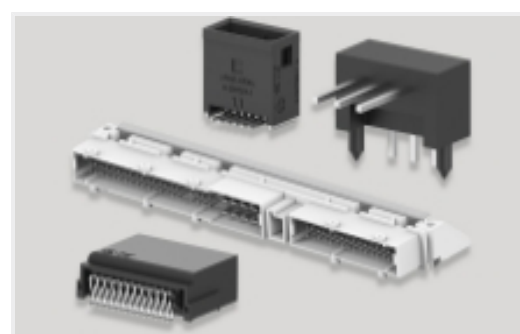
Automotive Terminals(84)



Insertion & Extraction Tools(6)



Other Automotive Connector
Accessories(4)



PCB Headers & Receptacles(88)

Customers Also Bought



TE Part #173681-1
040 MLC REC CONTACT



TE Part #2005372-2
MT-II SLD 6P PLUG ASSY(A) BLK



TE Part #1473288-1
MICRO TIMER II 6POS SECONDARY



TE Part #2005390-6
JPT SLD 3P PLUG ASSY-1S BLK



Documents

Product Drawings

040 MLC II PLUG HSG ASSY 12P

Japanese

CAD Files

Customer View Model

[ENG_CVM_175965-2_B1.3d_igs.zip](#)

English

Customer View Model

[ENG_CVM_175965-2_B1.3d_stp.zip](#)

English

Customer View Model

[ENG_CVM_175965-2_B1.2d_dxf.zip](#)

English

3D PDF

English

By downloading the CAD file I accept and agree to the [Terms and Conditions](#) of use.

Datasheets & Catalog Pages

MULTILOCK Connector System

English

Product Specifications

Application Specification

English

Crimping .040 Series Receptacle Contact

English

Instruction Sheets

Customer Manual (non U.S.)

Japanese

.040 Series Multilock I/O Connector Mark II

Japanese

Customer Manual (non U.S.)

Japanese

.040 Series, Multilock I/O Connector, Mark II



Japanese