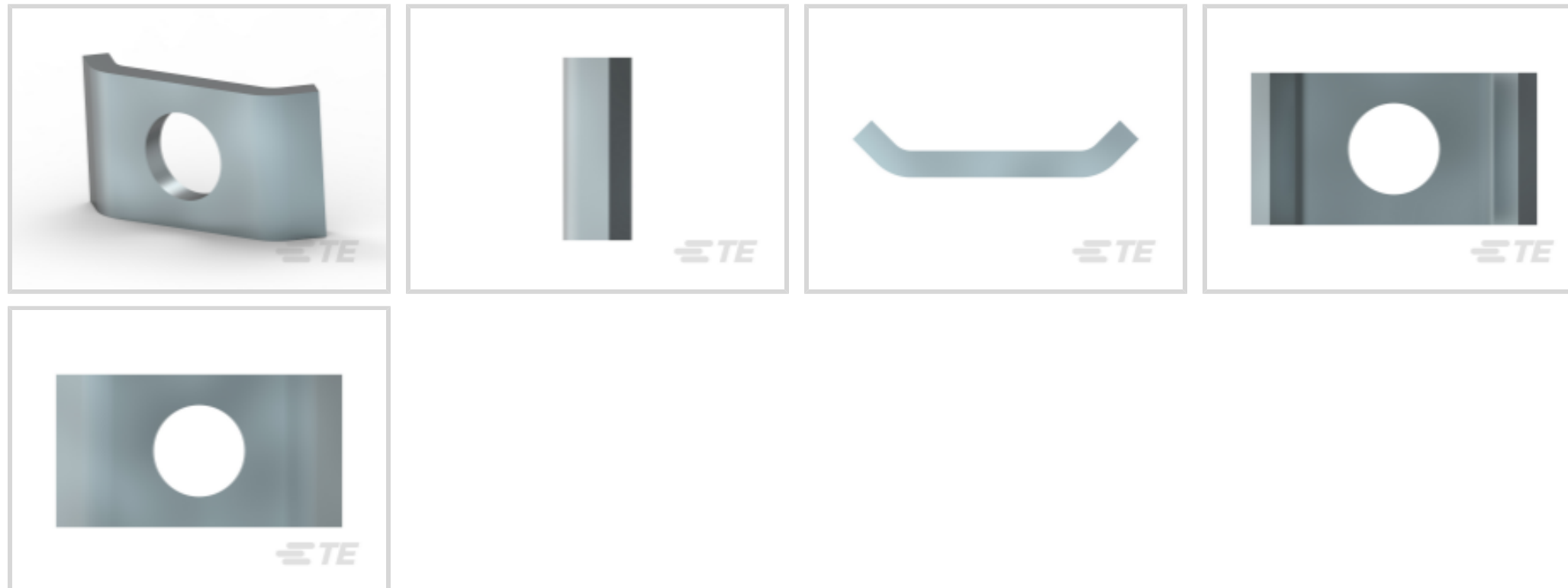




Connectors > Connector Accessories > Connector Hardware



Hardware Accessory Function: **Mounting, Latching, Locking & Retention**

Connector Hardware Accessory Type: **Saddle Washer**

EU RoHS Compliance: **Compliant**

EU ELV Compliance: **Compliant**

Features

Product Type Features

Hardware Accessory Function	Mounting, Latching, Locking & Retention
Connector Hardware Accessory Type	Saddle Washer

Other

EU RoHS Compliance	Compliant
EU ELV Compliance	Compliant

Mechanical Attachment

Thread Size	4-40
-------------	------

Packaging Features

Packaging Method	Package
Packaging Quantity	1

Product Compliance

[For compliance documentation, visit the product page on TE.com>](#)

EU RoHS Directive 2011/65/EU	Compliant
EU ELV Directive 2000/53/EC	Compliant
China RoHS 2 Directive MIIT Order No 32, 2016	No Restricted Materials Above Threshold

EU REACH Regulation (EC) No. 1907/2006

Current ECHA Candidate List: JUNE 2024 (241)

Candidate List Declared Against: JUNE 2024 (241)

Does not contain REACH SVHC

Halogen Content

Low Halogen - Br, Cl, F, I < 900 ppm per homogenous material. Also BFR/CFR/PVC Free

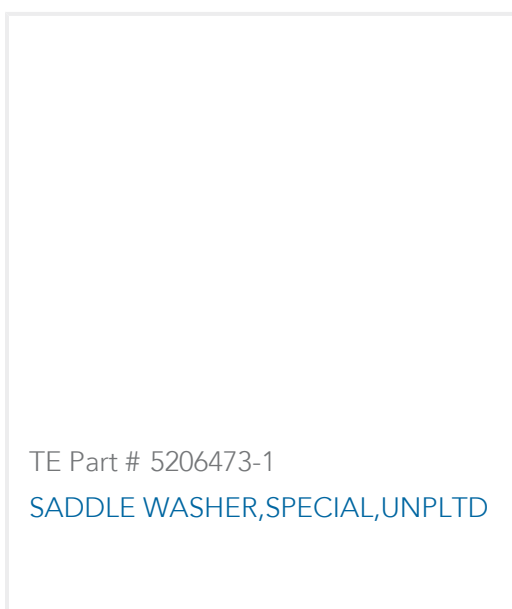
Solder Process Capability

Not applicable for solder process capability

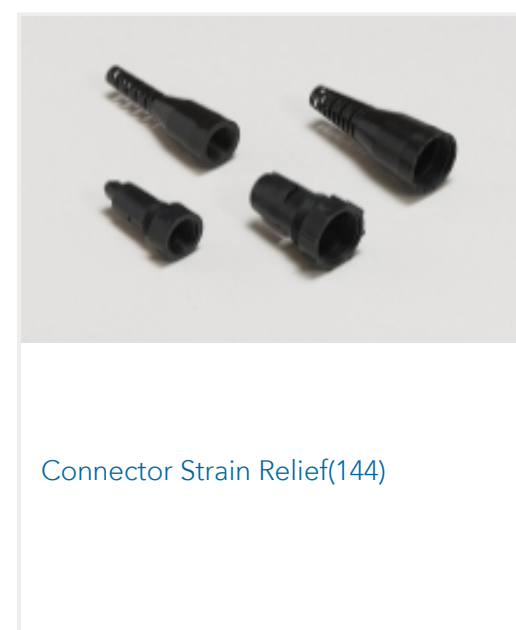
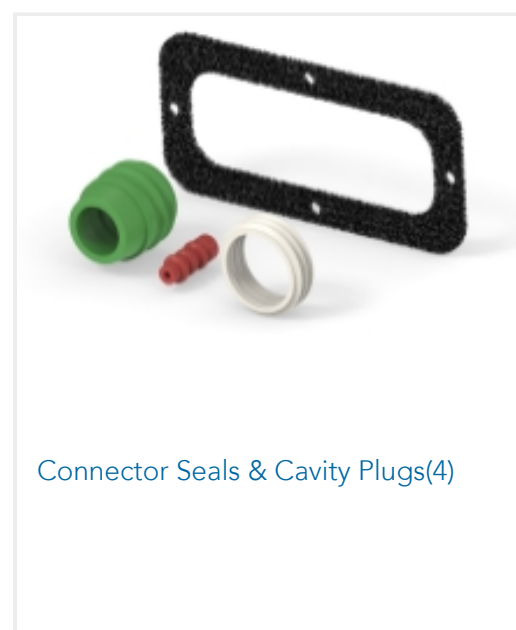
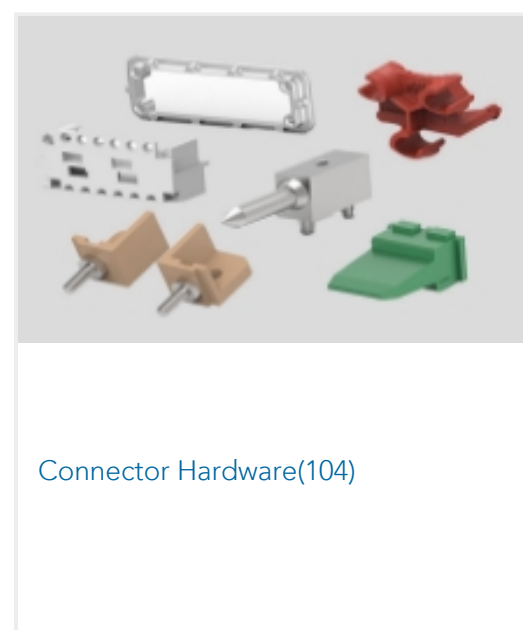
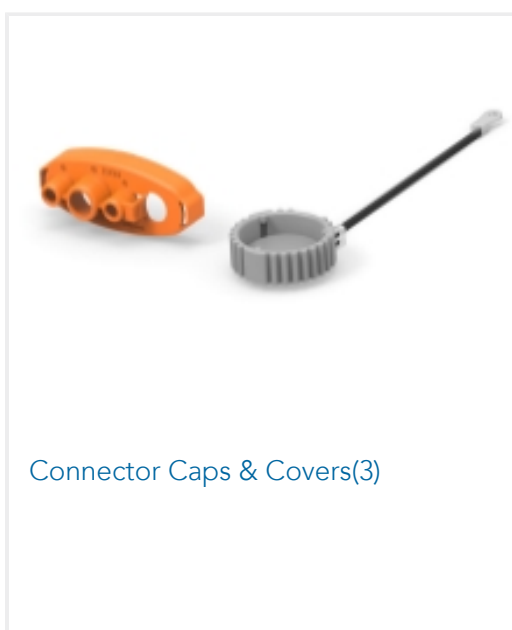
Product Compliance Disclaimer

This information is provided based on reasonable inquiry of our suppliers and represents our current actual knowledge based on the information they provided. This information is subject to change. The part numbers that TE has identified as EU RoHS compliant have a maximum concentration of 0.1% by weight in homogenous materials for lead, hexavalent chromium, mercury, PBB, PBDE, DBP, BBP, DEHP, DIBP, and 0.01% for cadmium, or qualify for an exemption to these limits as defined in the Annexes of Directive 2011/65/EU (RoHS2). Finished electrical and electronic equipment products will be CE marked as required by Directive 2011/65/EU. Components may not be CE marked. Additionally, the part numbers that TE has identified as EU ELV compliant have a maximum concentration of 0.1% by weight in homogenous materials for lead, hexavalent chromium, and mercury, and 0.01% for cadmium, or qualify for an exemption to these limits as defined in the Annexes of Directive 2000/53/EC (ELV). Regarding the REACH Regulation, the information TE provides on SVHC in articles for this part number is based on the latest European Chemicals Agency (ECHA) 'Guidance on requirements for substances in articles' posted at this URL: <https://echa.europa.eu/guidance-documents/guidance-on-reach>

Compatible Parts



Also in the Series | AMPLIMITE Kit



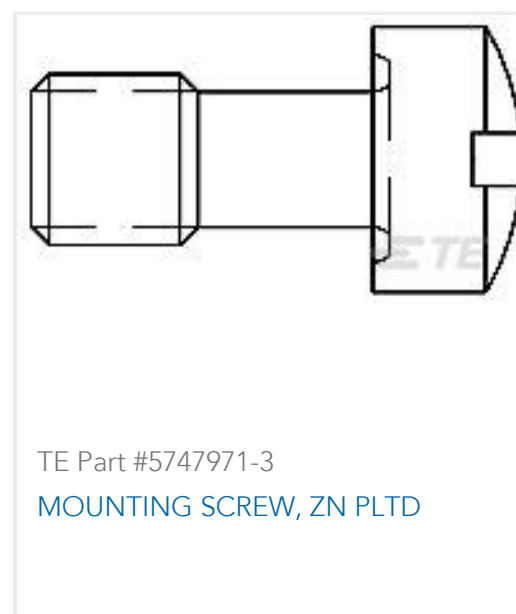
Customers Also Bought



TE Part #5747250-3
09 MSFL PLUG RA 318 (IN,FM)



TE Part #1445957-5
HSG SUB ASY,RED



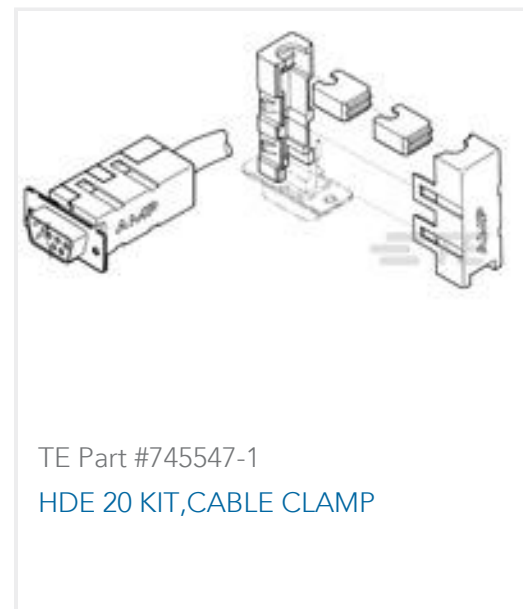
TE Part #5747971-3
MOUNTING SCREW, ZN PLTD



TE Part #102348-2
MOD IV RECP LP



TE Part #5229996-2
SCREW, PAN HD, CAPTIVE



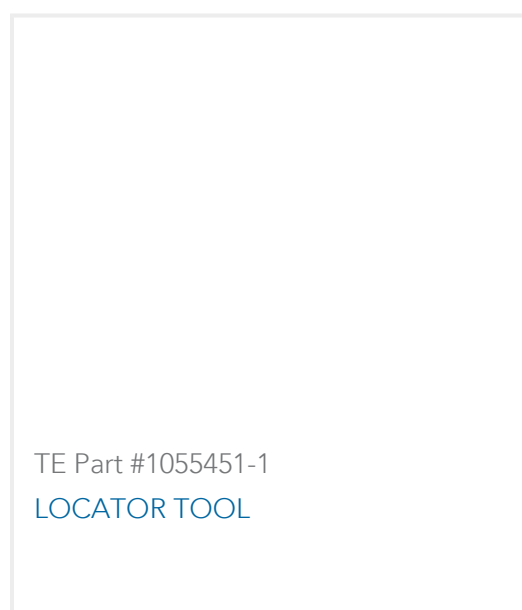
TE Part #745547-1
HDE 20 KIT,CABLE CLAMP



TE Part #D15798-001
D3-9FR



TE Part #3-1393238-4
RTB34024



TE Part #1055451-1
LOCATOR TOOL

Documents

Product Drawings

[SADDLE WASHER,SPECIAL,ZN PLTD](#)

English

CAD Files

Customer View Model

[ENG_CVM_CVM_5206473-3_O.2d_dxf.zip](#)

English

3D PDF

3D

Customer View Model

[ENG_CVM_CVM_5206473-3_O.3d_igs.zip](#)

English

Customer View Model

[ENG_CVM_CVM_5206473-3_O.3d_stp.zip](#)

English

By downloading the CAD file I accept and agree to the [Terms and Conditions](#) of use.

Instruction Sheets



[Instruction Sheet \(U.S.\)](#)

English