

174973-2 ✓ ACTIVE

AMP | Multilock Connector System

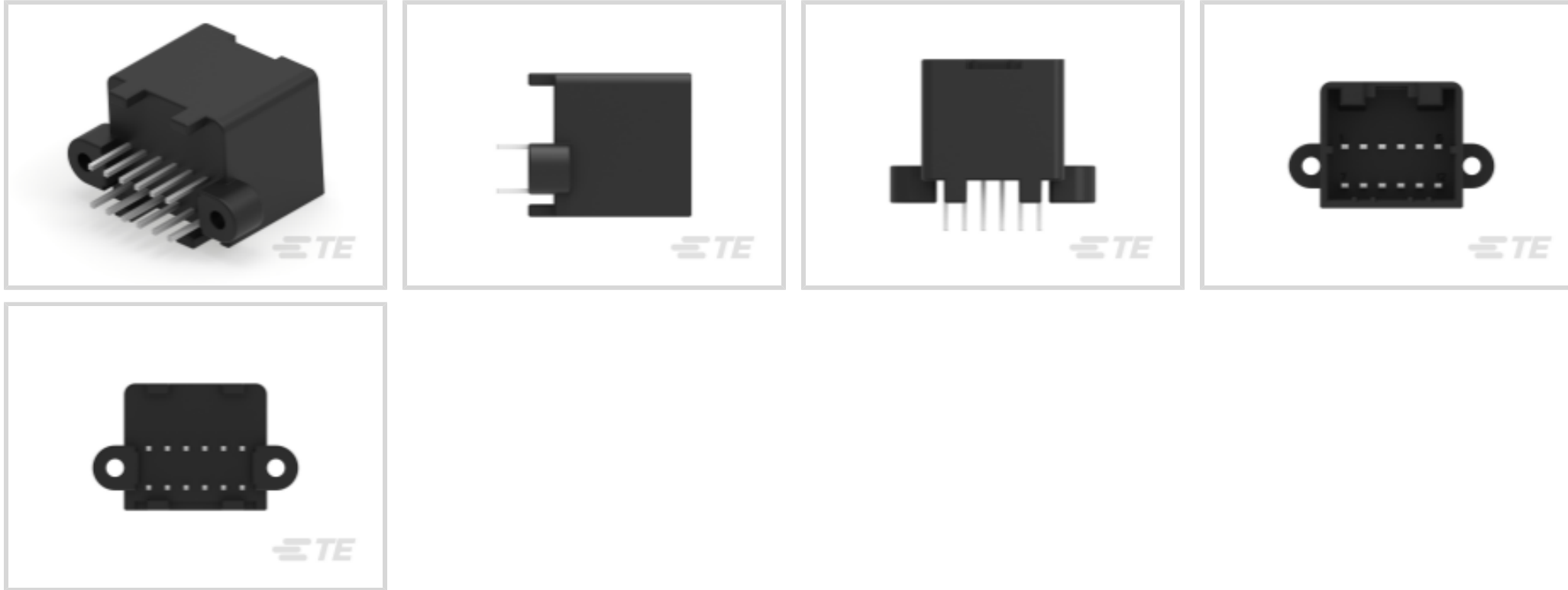
TE Internal #: 174973-2

PCB Mount Header, Vertical, Wire-to-Board, 12 Position, 2.5 mm [.098 in] Centerline, Fully Shrouded, Tin, Multilock Connector System

[View on TE.com >](#)



Connectors > PCB Connectors > PCB Headers & Receptacles > Signal Header



EU RoHS Compliance: **Compliant**

EU ELV Compliance: **Compliant**

PCB Connector Assembly Type: **PCB Mount Header**

PCB Mount Orientation: **Vertical**

Connector System: **Wire-to-Board**

[All Signal Header \(280\)](#)

Features

Other

| | |
|--------------------|-----------|
| EU RoHS Compliance | Compliant |
| EU ELV Compliance | Compliant |
| Interface Number | 174045 |

Product Type Features

| | |
|-----------------------------------|-----------------------|
| Mixed & Hybrid Header | No |
| Connector Shape | Rectangular |
| PCB Connector Assembly Type | PCB Mount Header |
| Connector System | Wire-to-Board |
| Header Type | Fully Shrouded |
| Sealable | No |
| Connector & Contact Terminates To | Printed Circuit Board |

Configuration Features

| | |
|----------------------------|----|
| Number of Signal Positions | 12 |
|----------------------------|----|



| | |
|-----------------------|----------|
| Number of Sections | 1 |
| PCB Mount Orientation | Vertical |
| Number of Positions | 12 |
| Number of Rows | 2 |

Electrical Characteristics

| | |
|------------------------------|--------|
| Operating Voltage | 12 VDC |
| Voltage Rating (Max) | 12 VDC |
| Nominal Voltage Architecture | 12 V |

Body Features

| | |
|-----------------------|-------|
| Primary Product Color | Black |
|-----------------------|-------|

Contact Features

| | |
|--------------------------------------|------------------|
| Contact Size | 1mm |
| Mating Tab Width | 1 mm [.039 in] |
| Mating Tab Thickness | .64 mm [.025 in] |
| Contact Mating Area Plating Material | Tin |
| Contact Type | Tab |

Termination Features

| | |
|---------------------------|----------------------|
| Termination Method to PCB | Through Hole - Screw |
|---------------------------|----------------------|

Mechanical Attachment

| | |
|-----------------------|-------------------|
| Panel Mount Feature | Without |
| Mating Retention Type | Locking Interface |
| Mounting Holes | With |
| Mating Retention | With |
| PCB Mount Retention | Without |
| PCB Mount Alignment | Without |
| Mating Alignment | With |

Housing Features

| | |
|--------------------|------------------|
| Centerline (Pitch) | 2.5 mm [.098 in] |
|--------------------|------------------|

Dimensions

| | |
|-----------------------------|--------------------|
| Connector Width | 27.5 mm [1.083 in] |
| PCB Thickness (Recommended) | 1.6 mm [.063 in] |
| Profile Height from PCB | 19.2 mm [.756 in] |



Connector Length 16.9 mm[.665 in]

Usage Conditions

Operating Temperature (Max) 80 °C, 105 °C, 100 °C, 90 °C, 65 °C, 85 °C, 75 °C, 70 °C [221 °F][158 °F][167 °F][176 °F][194 °F][185 °F][212 °F][149 °F]

Operating Temperature Range -30 – 105 °C[-22 – 221 °F]

Operation/Application

Shielded No

Circuit Application Signal

Packaging Features

Packaging Quantity 100

Packaging Method Tube

Product Compliance

[For compliance documentation, visit the product page on TE.com>](#)

EU RoHS Directive 2011/65/EU Compliant

EU ELV Directive 2000/53/EC Compliant

China RoHS 2 Directive MIIT Order No 32, 2016 No Restricted Materials Above Threshold

EU REACH Regulation (EC) No. 1907/2006 Current ECHA Candidate List: JUNE 2024 (241)
Candidate List Declared Against: JUNE 2024 (241)
Does not contain REACH SVHC

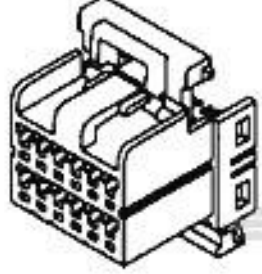
Halogen Content Low Halogen - Br, Cl, F, I < 900 ppm per homogenous material. Also BFR/CFR/PVC Free

Solder Process Capability Wave solder capable to 240°C

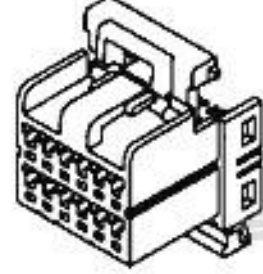
Product Compliance Disclaimer

This information is provided based on reasonable inquiry of our suppliers and represents our current actual knowledge based on the information they provided. This information is subject to change. The part numbers that TE has identified as EU RoHS compliant have a maximum concentration of 0.1% by weight in homogenous materials for lead, hexavalent chromium, mercury, PBB, PBDE, DBP, BBP, DEHP, DIBP, and 0.01% for cadmium, or qualify for an exemption to these limits as defined in the Annexes of Directive 2011/65/EU (RoHS2). Finished electrical and electronic equipment products will be CE marked as required by Directive 2011/65/EU. Components may not be CE marked. Additionally, the part numbers that TE has identified as EU ELV compliant have a maximum concentration of 0.1% by weight in homogenous materials for lead, hexavalent chromium, and mercury, and 0.01% for cadmium, or qualify for an exemption to these limits as defined in the Annexes of Directive 2000/53/EC (ELV). Regarding the REACH Regulation, the information TE provides on SVHC in articles for this part number is based on the latest European Chemicals Agency (ECHA) 'Guidance on requirements for substances in articles' posted at this URL: <https://echa.europa.eu/guidance-documents/guidance-on-reach>


Compatible Parts



TE Part # 174045-2
040 MULTILOCK PLUG 12P



TE Part # 174045-5
040 MLC PLUG HSG 12P BLUE




TE Part # 174972-2
040 MLC CAP HSG V 12P


Also in the Series | Multilock Connector System




Automotive Connector Caps & Covers (6)




Automotive Housings(165)



Automotive Terminals(84)



Insertion & Extraction Tools(6)



Other Automotive Connector Accessories(4)



PCB Headers & Receptacles(88)

Customers Also Bought



TE Part #2344657-2
FPC ANTENNA, MHF, 100mm, Wi-Fi TRIPLE



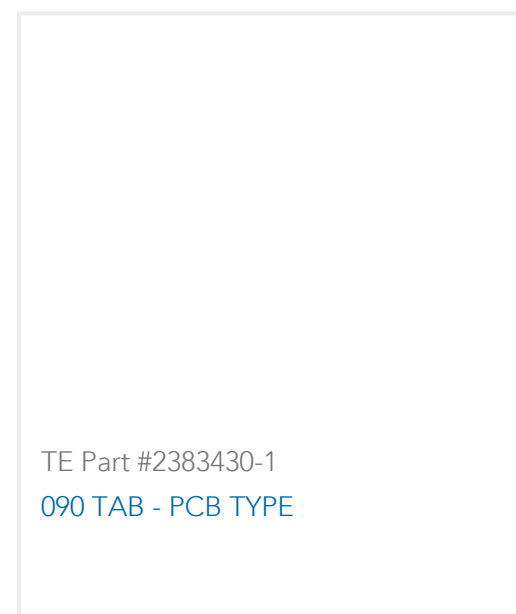
TE Part #2-2176345-1
CRGCQ 1210 470R 1%



TE Part #175783-2
Signal Header



TE Part #2322794-1
40POS,TAB0.64X0.64,HDR ASSY, 180DEG,SLDR



Documents

Product Drawings

040 MLC CAP ASSY V 12P

English

CAD Files

3D PDF

3D

Customer View Model

[ENG_CVM_CVM_174973-2_E.2d_dxf.zip](#)

English

Customer View Model

[ENG_CVM_CVM_174973-2_E.3d_igs.zip](#)

English

Customer View Model

[ENG_CVM_CVM_174973-2_E.3d_stp.zip](#)

English

Customer View Model

[ENG_CVM_174973-2_E3.3d_igs.zip](#)

English

Customer View Model

[ENG_CVM_174973-2_E3.3d_stp.zip](#)

English

Customer View Model

[ENG_CVM_174973-2_E3.2d_dxf.zip](#)

English

3D PDF

English

By downloading the CAD file I accept and agree to the [Terms and Conditions](#) of use.

Product Specifications

Product Specification

Japanese

Product Specification

Japanese



Instruction Sheets

Instruction Sheet (non U.S.)

English

040 SERIES MULTI-LOCK CONNECTOR

English