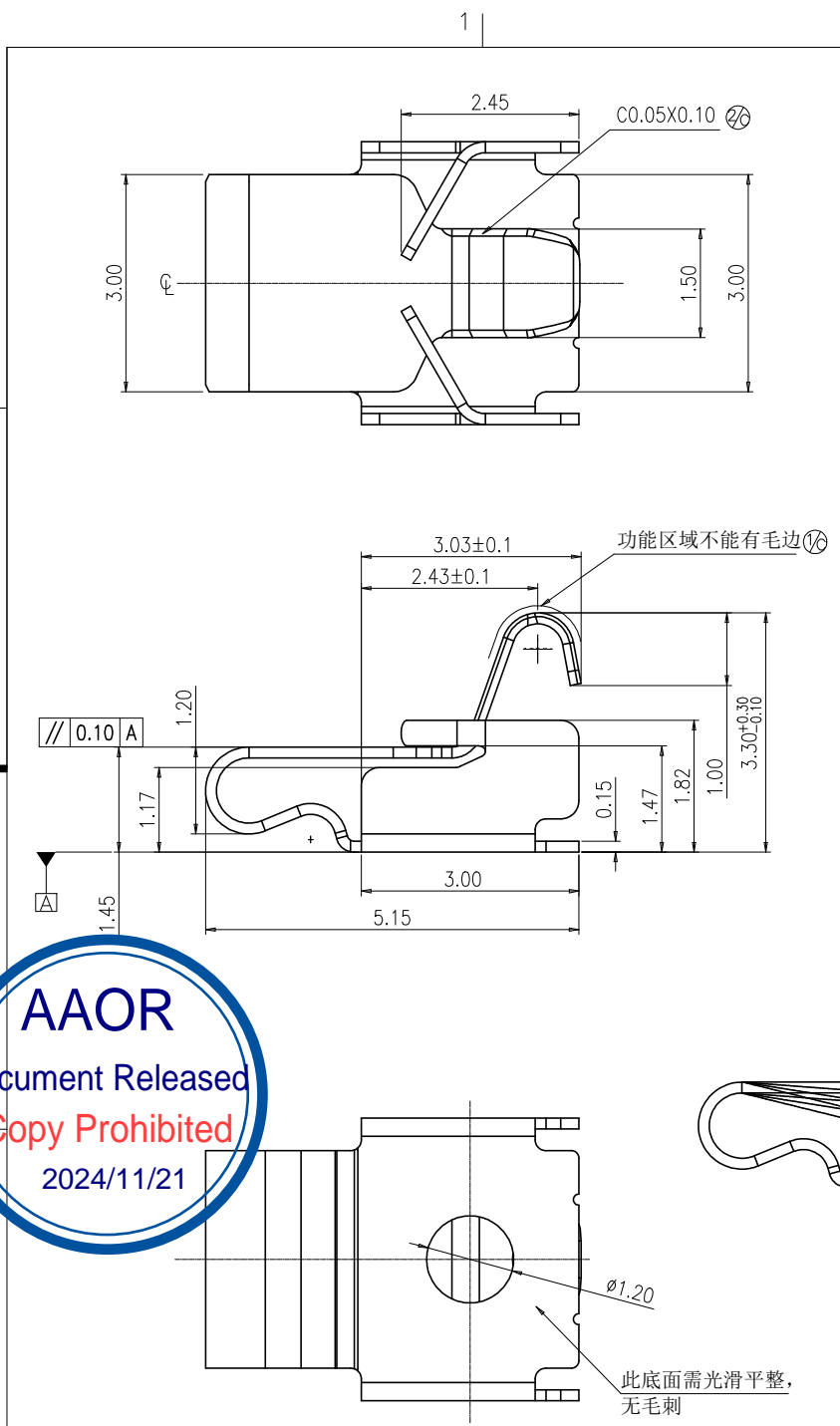


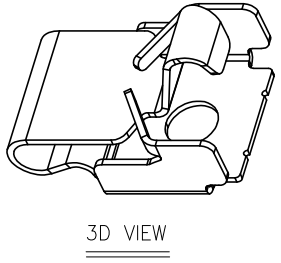
This document is the property of and embodies CONFIDENTIAL and PROPRIETARY information of AAOR. No part of the information shown on this document may be used, in whole or in part, without the written consent of AAOR.



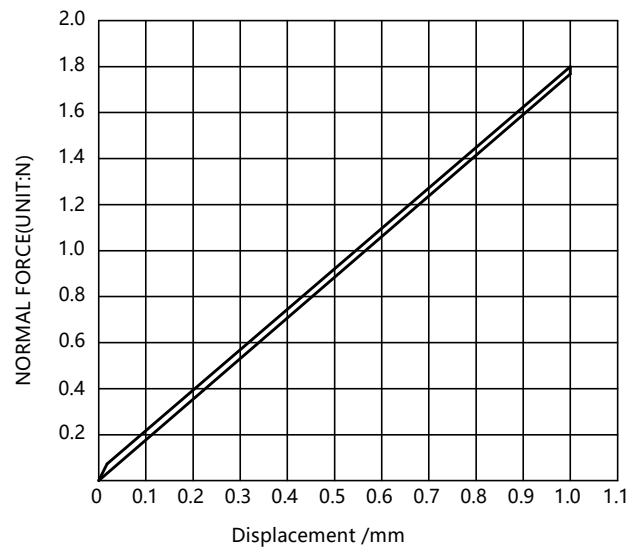
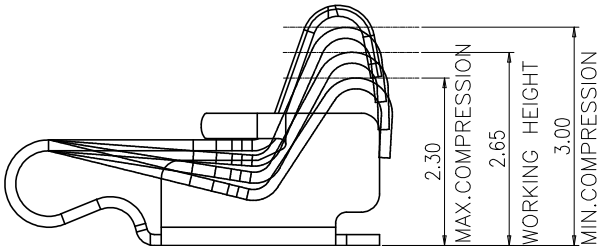
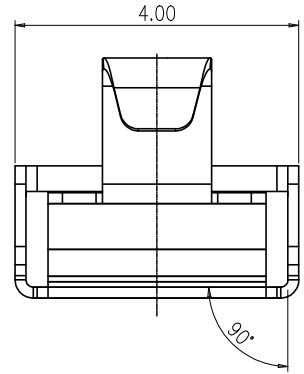
**AAOR**  
 Document Released  
 Copy Prohibited  
 2024/11/21



REV.	ECR/ECN No.	DESCRIPTION	DRAWN/DATE	CHECKED/DATE	APPROVED/DATE
D	ECN2021069	更新图框	Abner 2021.07.08	Staven 2021.07.08	Sam 2021.07.08
E	ECN2021120	增加变更履历	Abner 2021.11.30	Staven 2021.11.30	Sam 2021.11.30
F	ECN2024100801	增加按压行程及按压寿命	zhangzhiwei 24-09-10	tiger.tao 24-09-10	Rain Han 24-09-10



- NOTES:
- MATERIAL: SUS 304
  - FINISH: 2μMIN Au PLATING CONTACT AND SOLDER AREA, NICKEL UNDERPLATING OVERALL;
  - COMPLIANT TO RoHS DIRECTIVE 2002/95/EC AND SONY SS-00259.
  - CURRENT: 3A MAX.
  - COMPRESSION LIFE: 25CYCLES
  - RECOMMENDER WORKING HEIGHT=2.3mm MIN FORCE=1.8N MIN;
  - ENVIRONMENTAL:  
OPERATING TEMPERATURE: -40° C TO +105° C;



UNLESS OTHERWISE SPECIFIED TOLERANCES				ANGLE OF PROJECTION		Amphenol AORORA			
X.	±0.30	X. *	± 5'			Amphenol AORORA Technology (Huizhou) Co.,Ltd			
X.X	±0.25	X.X *	± 4'			TITLE: H3.30mm 弹片			
X.XX	±0.20	X.XX *	± 3'	DOC TYP Customer Drw		DRAWN DATE Staven 2017.01.10			
X.XXX	±0.15	X.XXX *	± 2'	DESIGN DATE Staven 2017.01.10		SIZE PART NUMBER: A4 Z003-007L1-11001		REV. F	
DWG NO.: A-S0055				CHECKED DATE Biao 2017.01.10		APPROVED DATE Biao 2017.01.10			
MATERIAL SEE NOTES		FINISHED SEE NOTES		SCALE 1:1		UNIT : mm		SHEET 1 OF 1	