

10078991-GXX-XXULF

PLATING
0.76µm GXT (Pd Ni WITH GOLD FLASH)
OVER 1.27µm NICKEL UNDERPLATE

TAIL LENGTH
(AS AVAILABLE)

STYLE	TAIL LENGTH (mm)
2	2.5
3	3.1

LATCH TYPE:
(AS AVAILABLE)
1=STANDARD : FOR USE WITH STRAIN-RELIEF 10073978
2=LOW PROFILE : FOR USE WITHOUT STRAIN-RELIEF

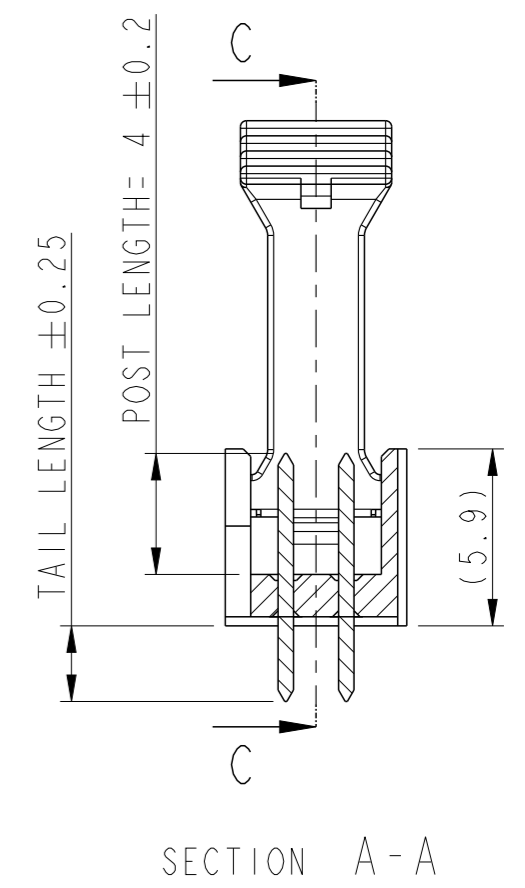
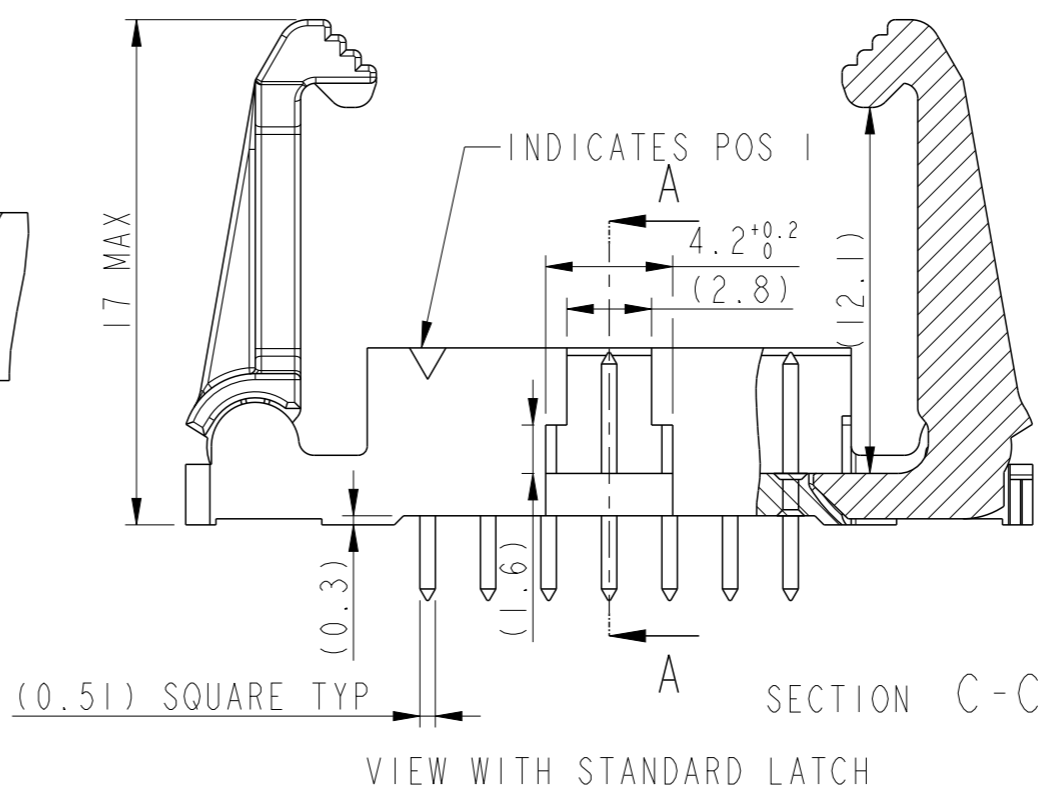
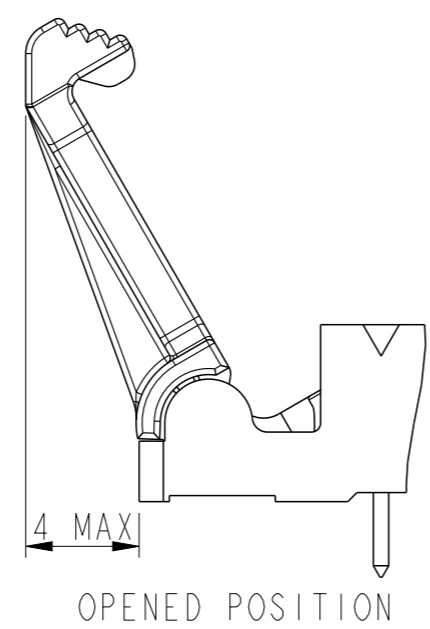
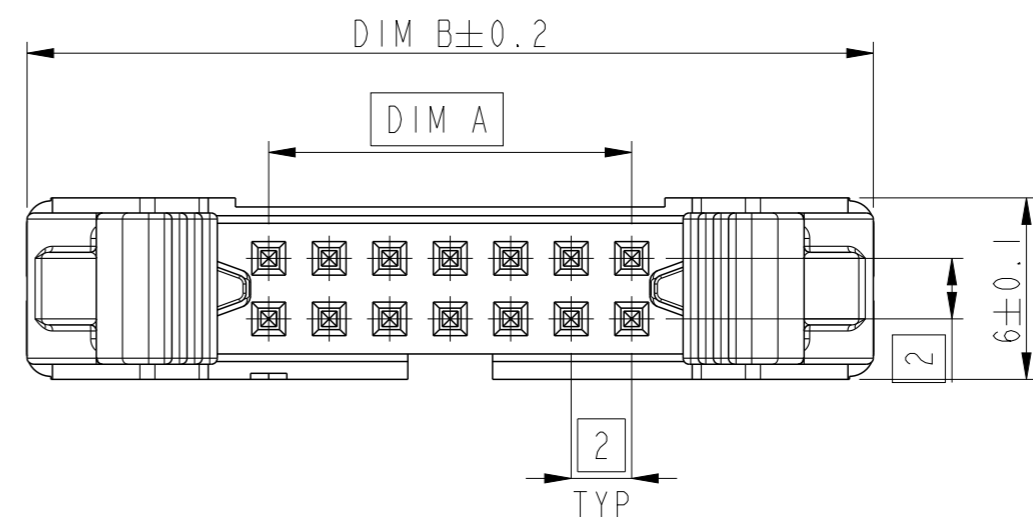
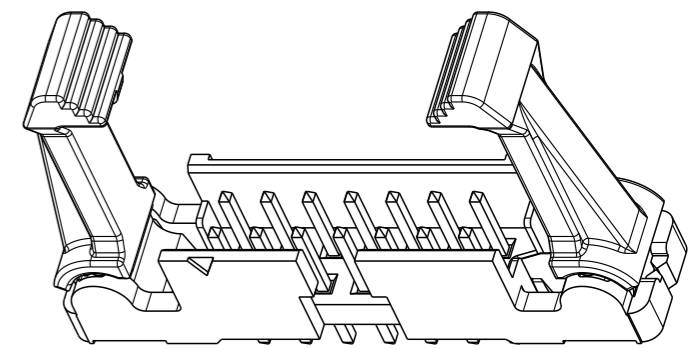
SIZE: TOTAL NB OF POSITIONS
(AS AVAILABLE)
SEE SHEET 2

PACKAGING, SEE NOTE 4
(MAY BE SUBJECT TO TOOLING FEES)

SUFFIX LETTER "LF" INDICATES
THE PRODUCT IS ROHS COMPLIANT
SEE NOTE 5

EXTENDED RANGE

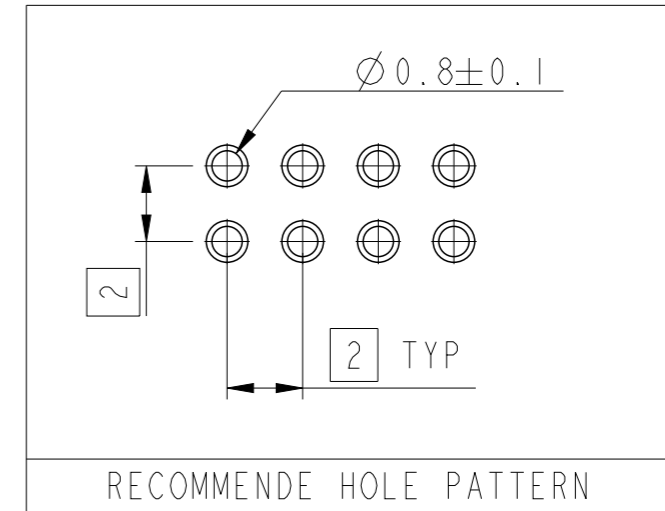
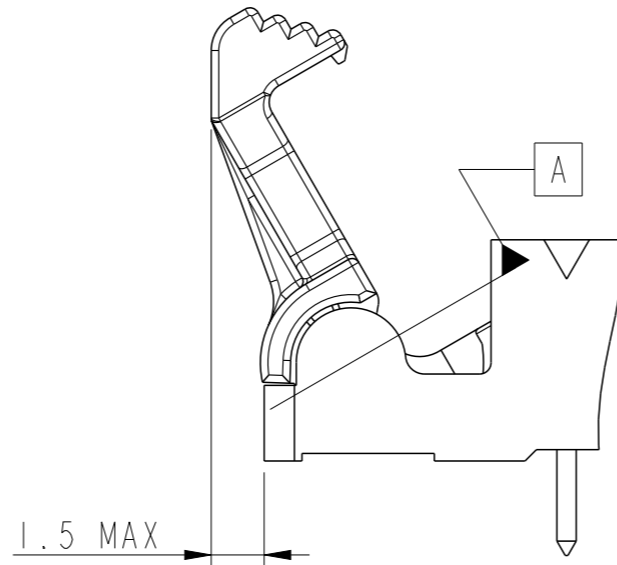
- TOOLING FEASIBILITY CONFIRMED
- SAMPLES ON DEMAND
- AVAILABILITY ON DEMAND



- NOTES :
- MATERIAL HOUSING: HIGH TEMPERATURE THERMOPLASTIC UL 94 V-0 . COLOR CREAM.
 - MATERIAL LATCH : HIGH TEMPERATURE THERMOPLASTIC UL 94 V-0 . COLOR BLACK.
 - MATERIAL TERMINAL : COPPER ALLOY
 - PIN RETENTION IN EITHER DIRECTION : 7N MIN
 - PACKAGING
U= TUBE WITHOUT PICK UP CAP.
 - ROHS COMPATIBLE PRODUCT SPECIFICATIONS :
a- PLATING :
"LF" MEANS THE PRODUCT IS LEAD FREE
2µm MINIMUM MATTE TIN OVER 1.27 µm NICKEL UNDERPLATE
b- MANUFACTURING PROCESS COMPATIBILITY
THE HOUSING WILL WITHSTAND EXPOSURE TO 260°C ±5°C
SOLDER BATH TEMPERATURE FOR 5 SECONDS IN A WAVE
SOLDER APPLICATION WITH A 1.6mm THICK CIRCUIT BOARD.
c- LABELLING
MEETS PACKAGING SPECS AS PER GS-14 - 920.
d- THIS PRODUCT MEETS EUROPEAN DIRECTIVES AND OTHER
COUNTRY REGULATION AS DESCRIBED IN GS-2 2-008.
 - THIS PART SERIES IS NOT INITIALLY INTENDED FOR
AUTOMOTIVE APPLICATIONS. ADDITIONAL FEES ARE
CHARGEABLE FOR ANY ADDITIONAL QUALIFICATION AND
TEST REPORTS PERFORMED OUTSIDE THE SCOPE OF THE
STANDARD PRODUCT SPECIFICATIONS.
 - UNLESS OTHERWISE APPROVED BY AMPHENOL, ALL PARTS
AND COMPONENTS ARE DESIGNED & BUILT ACCORDING TO
AMPHENOL'S SPECIFICATIONS WHICH ARE SUBJECT TO
CHANGE WITHOUT NOTICE.

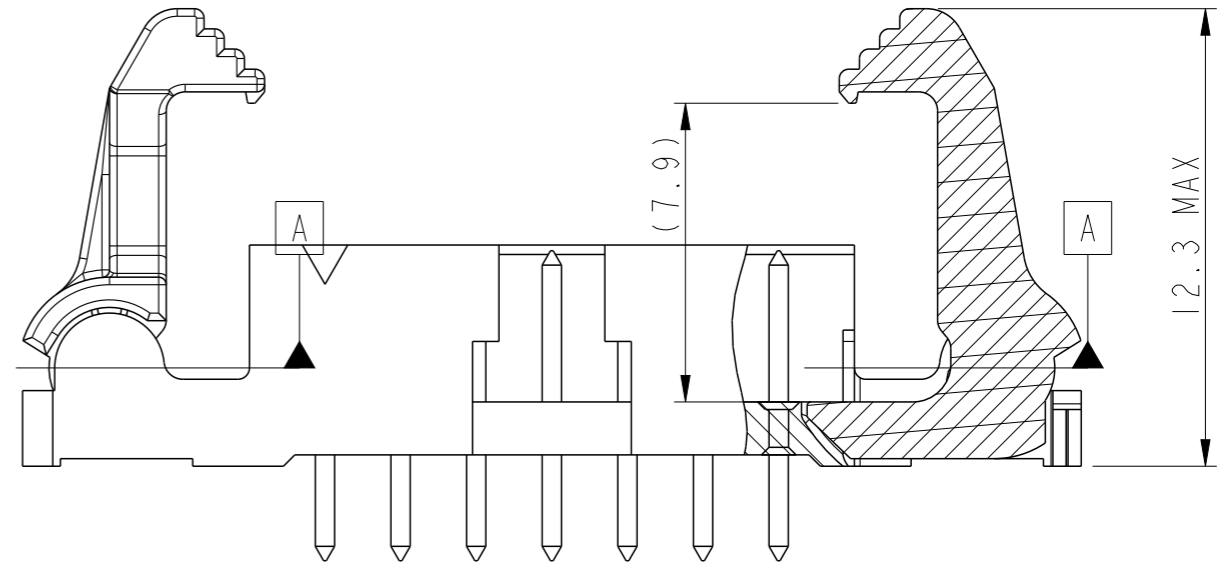
spec ref	-	dr	Sawanth, Ambaa	2020/12/08	projection	mm	size	A3	scale	4:1
tolerance std	ISO 406 ISO 1101	eng	Detouillon, Da	2025/02/04			ecn no	ELX-F-54239-1	rel level	Released
TOLERANCES UNLESS OTHERWISE SPECIFIED		chr	-	apppr						
surface	linear	0.X	±0.3		EJECT LATCH HEADER		dwg no	10078991	rev	C
		0.XX	±0.10		VERTICAL TMT					
	angular	0°	±2°		cat. no.	-				

SIZE	POSITIONS	DIM A	DIM B
06	2x3	4.00	20.00
08	2x4	6.00	22.00
10	2x5	8.00	24.00
12	2x6	10.00	26.00
14	2x7	12.00	28.00
24	2x12	22.00	38.00
30	2x15	28.00	44.00
40	2x20	38.00	54.00
44	2x22	42.00	58.00
50	2x25	48.00	64.00



PRODUCT USED IN COMBINATION WITH IDC RECEPTACLE P/Ns 89361 & 89947

WITH STRAIN RELIEF ACCESSORY -STANDARD LATCH-	WITHOUT STRAIN RELIEF ACCESSORY -LOW PROFILE LATCH-



SECTION C-C
EXAMPLE 10078991-G02-14YLF
LOW PROFILE LATCH

spec ref	-	dr	Sawanth, Ambaa	2020/12/08	projection	mm	size	A3	scale	5:1	
tolerance std	ISO 406 ISO 1101	eng	Detouillon, Da	2025/02/04			ecn no	ELX-F-54239-1			
TOLERANCES UNLESS OTHERWISE SPECIFIED		chr	-	-			rel level	Released			
surface	linear	0.X	±0.3	Amphenol FCI	product family		-	rel level	Released		
		0.XX	±0.10		EJECT LATCH HEADER		dwg no	10078991		rev	C
	angular	0°	±2°		VERTICAL TMT		cat. no.	-	Product - Customer Drw	sheet 2 of 2	