

2154640-2 ✓ ACTIVE

LUMAWISE

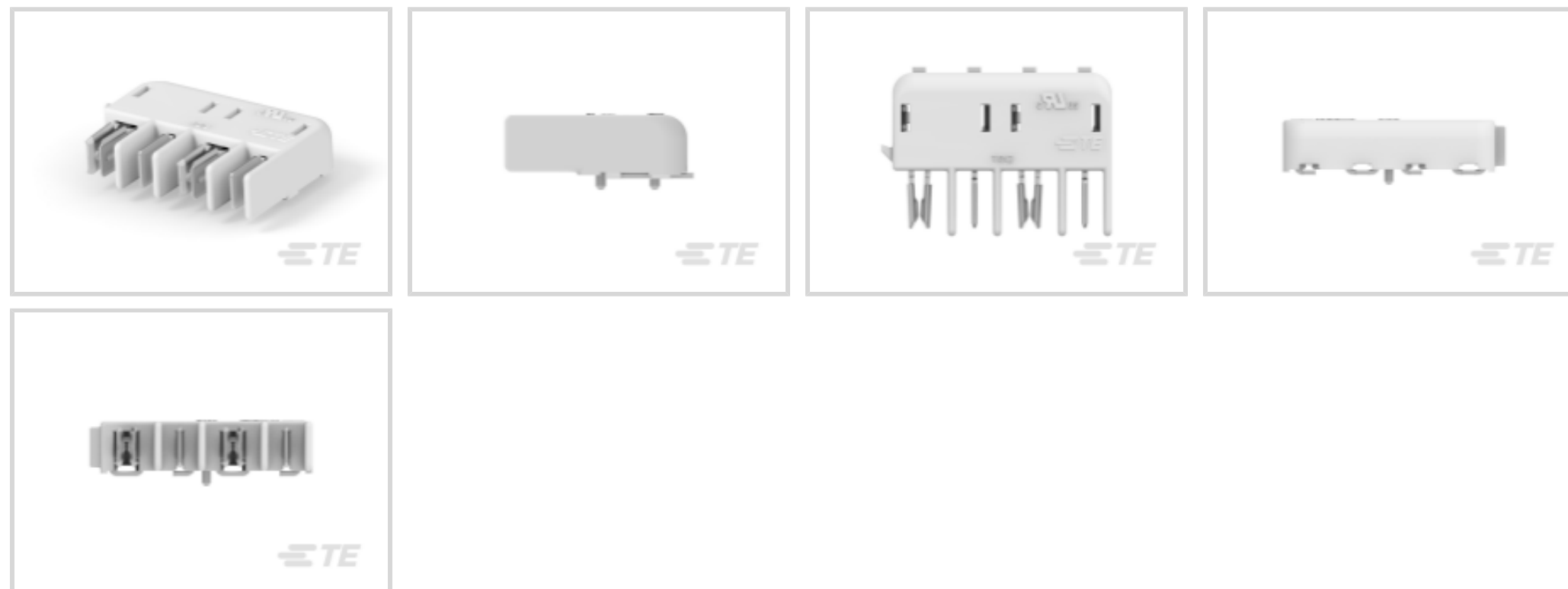
TE Internal #: 2154640-2

PCB Mount Hermaphroditic Connector, Right Angle, Board-to-Board, 4 Position, 4 mm [.157 in] Centerline, Tin, Surface Mount, Power & Signal, Natural

[View on TE.com >](#)



Connectors > PCB Connectors > PCB Headers & Receptacles



EU RoHS Compliance: **Compliant**

EU ELV Compliance: **Compliant**

PCB Connector Assembly Type: **PCB Mount Hermaphroditic Connector**

PCB Mount Orientation: **Right Angle**

Connector System: **Board-to-Board**

Features

Other

EU RoHS Compliance **Compliant**

EU ELV Compliance **Compliant**

Product Type Features

PCB Connector Assembly Type **PCB Mount Hermaphroditic Connector**

Connector System **Board-to-Board**

Sealable **No**

Connector & Contact Terminates To **Printed Circuit Board**

Configuration Features

PCB Mount Orientation **Right Angle**

Number of Positions **4**

Number of Rows **1**

Body Features

Primary Product Color **Natural**



Contact Features

Contact Underplating Material	Nickel
Contact Base Material	Copper Alloy
Mating Tab Thickness	.4 mm[.016 in]
Contact Mating Area Plating Material Finish	Matte
Contact Mating Area Plating Material Thickness	3.81 – 8.89 µm
Mating Tab Width	3.05 mm[.12 in]
Contact Mating Area Plating Material	Tin
Contact Type	Hermaphroditic
Contact Current Rating (Max)	6 A

Termination Features

Rectangular Termination Post & Tail Width	1 mm[.039 in]
Rectangular Termination Post & Tail Thickness	.4 mm[.016 in]
Termination Method to PCB	Surface Mount

Mechanical Attachment

Mating Retention	With
PCB Mount Retention Type	Solder Peg
PCB Mount Alignment Type	Peg
PCB Mount Retention	Without
PCB Mount Alignment	With
Connector Mounting Type	Board Mount

Housing Features

Housing Material	LCP
Centerline (Pitch)	4 mm[.157 in]

Usage Conditions

Operating Temperature (Max)	105 °C[221 °F]
Operating Temperature Range	-40 – 105 °C[-40 – 221 °F]

Operation/Application

Circuit Application	Power & Signal
---------------------	----------------

Industry Standards

UL Flammability Rating	UL 94V-0
------------------------	----------

Packaging Features



Packaging Quantity	1000
Packaging Method	Box, Reel

Product Compliance

[For compliance documentation, visit the product page on TE.com>](#)

EU RoHS Directive 2011/65/EU	Compliant
EU ELV Directive 2000/53/EC	Compliant
China RoHS 2 Directive MIIT Order No 32, 2016	No Restricted Materials Above Threshold
EU REACH Regulation (EC) No. 1907/2006	Current ECHA Candidate List: JUNE 2024 (241) Candidate List Declared Against: JUNE 2024 (241) Does not contain REACH SVHC
Halogen Content	Low Halogen - Br, Cl, F, I < 900 ppm per homogenous material. Also BFR/CFR/PVC Free
Solder Process Capability	Not reviewed for solder process capability

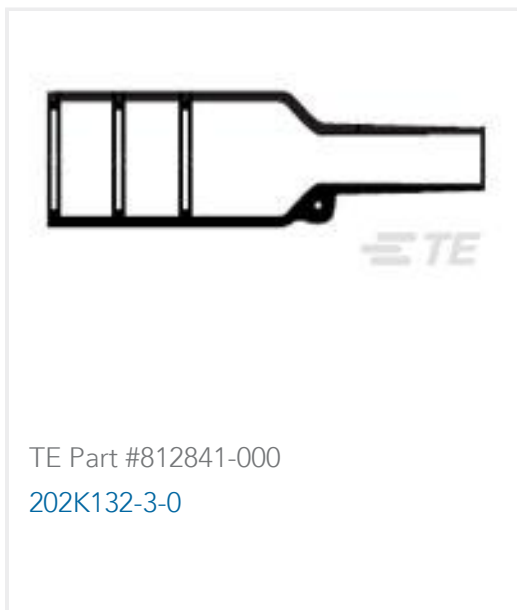
Product Compliance Disclaimer

This information is provided based on reasonable inquiry of our suppliers and represents our current actual knowledge based on the information they provided. This information is subject to change. The part numbers that TE has identified as EU RoHS compliant have a maximum concentration of 0.1% by weight in homogenous materials for lead, hexavalent chromium, mercury, PBB, PBDE, DBP, BBP, DEHP, DIBP, and 0.01% for cadmium, or qualify for an exemption to these limits as defined in the Annexes of Directive 2011/65/EU (RoHS2). Finished electrical and electronic equipment products will be CE marked as required by Directive 2011/65/EU. Components may not be CE marked. Additionally, the part numbers that TE has identified as EU ELV compliant have a maximum concentration of 0.1% by weight in homogenous materials for lead, hexavalent chromium, and mercury, and 0.01% for cadmium, or qualify for an exemption to these limits as defined in the Annexes of Directive 2000/53/EC (ELV). Regarding the REACH Regulation, the information TE provides on SVHC in articles for this part number is based on the latest European Chemicals Agency (ECHA) 'Guidance on requirements for substances in articles' posted at this URL: <https://echa.europa.eu/guidance-documents/guidance-on-reach>

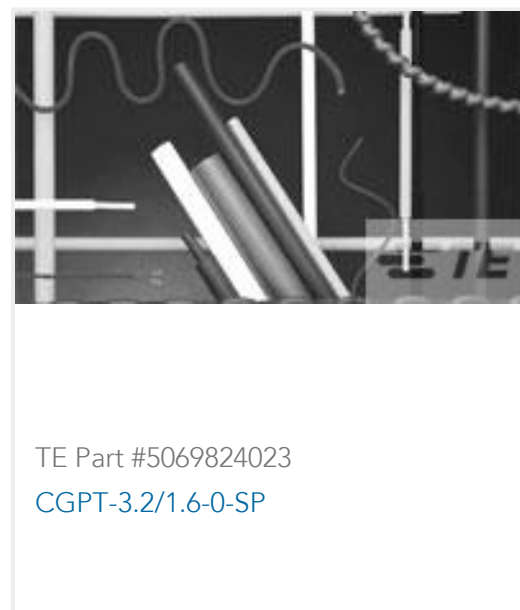
Compatible Parts



Customers Also Bought



TE Part #812841-000
202K132-3-0



TE Part #5069824023
CGPT-3.2/1.6-0-SP



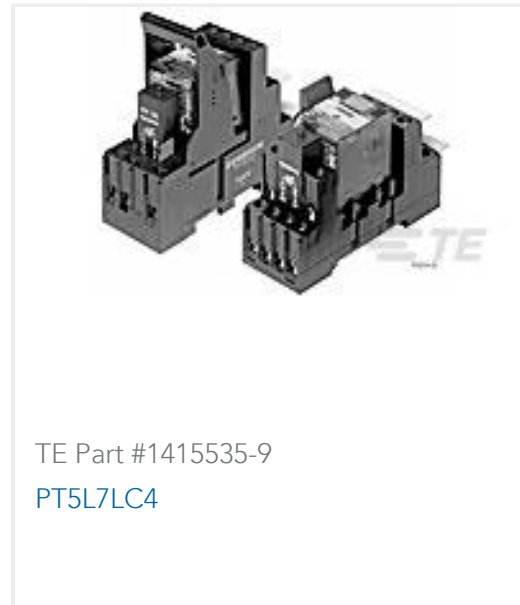
TE Part #F18659-000
HX-SCE-1K-3.2-50-4



TE Part #3-641215-9
09P MTA100 HDR ASSY FL/ST 30AU



TE Part #205734-7
09 RCPT SP/MS STD



TE Part #1415535-9
PT5L7LC4



TE Part #2213614-2
HERM BLADE & REC,4 POS,LATCH,
SELECT GOLD



TE Part #1513504-1
100930LF MOLDED STAMPED
ANTENNA



TE Part #5-147323-3
04 MTE HDR SRRA SMT.100CL



TE Part #1551953-1
CCJ-Crown Clip Junior power
connector

Documents

Product Drawings

[Herm Blade & Recept assy w/latch & posts](#)

English

CAD Files

[3D PDF](#)

3D

Customer View Model

[ENG_CVM_CVM_2154640-2_A.2d_dxf.zip](#)

English

Customer View Model

[ENG_CVM_CVM_2154640-2_A.3d_igs.zip](#)

English

Customer View Model

[ENG_CVM_CVM_2154640-2_A.3d_stp.zip](#)

English

By downloading the CAD file I accept and agree to the [Terms and Conditions](#) of use.

Product Specifications



Application Specification

English

Agency Approvals

UL Report

English