



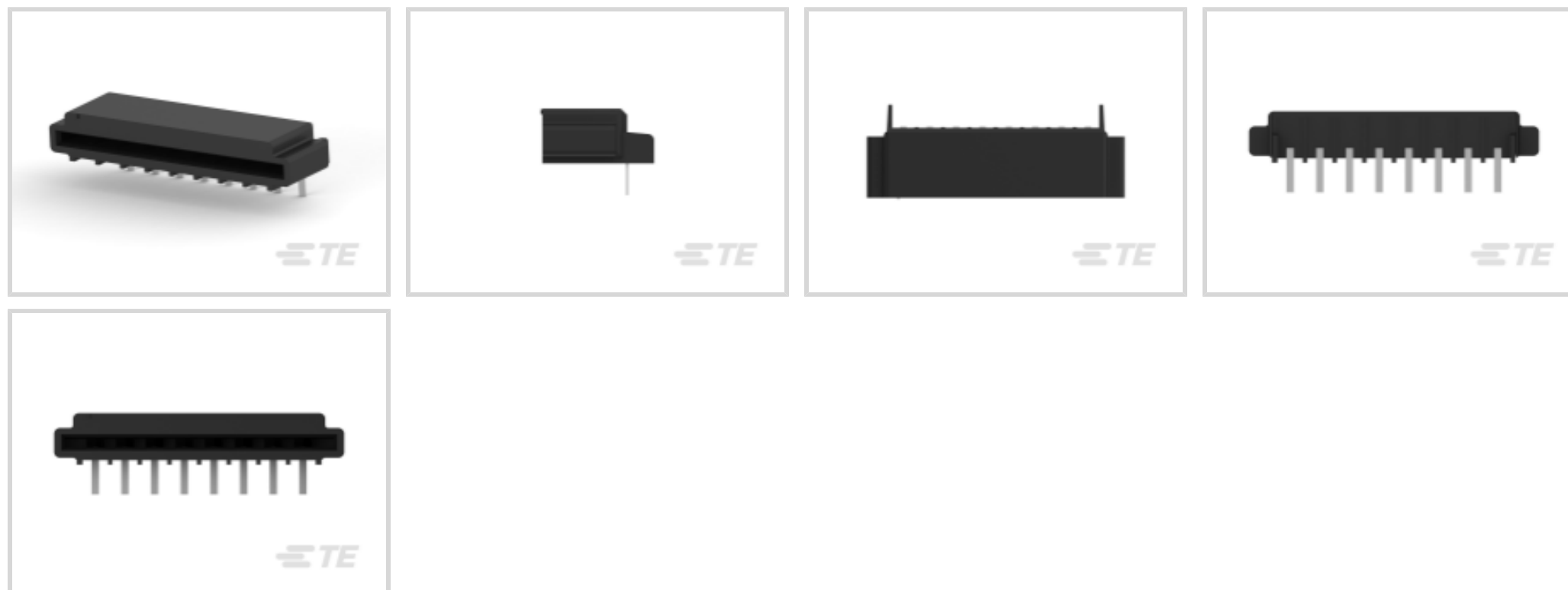
TRIO-MATE

TE Internal #: 5-487508-7

Connector Assembly, Wire-to-Board, 8 Position, 2.54 mm [.1 in] Centerline, 1 Row, Right Angle, Socket, Tray, TRIO-MATE, FFC Connectors

[View on TE.com >](#)

Connectors > PCB Connectors > Wire-to-Board Connectors > FFC, FPC & Ribbon Connectors > FFC Connectors



FFC Connector Product Type: **Connector Assembly**

Connector System: **Wire-to-Board**

Number of Positions: **8**

Centerline (Pitch): **2.54 mm [.1 in]**

Number of Rows: **1**

Features

Product Type Features

| | |
|-----------------------------------|---------------------------|
| FFC Connector Product Type | Connector Assembly |
| Connector System | Wire-to-Board |
| Insertion Force Type | Low Insertion Force (LIF) |
| Connector & Contact Terminates To | Printed Circuit Board |
| Connector & Housing Type | Receptacle |

Configuration Features

| | |
|-----------------------|-------------|
| Number of Positions | 8 |
| Number of Rows | 1 |
| PCB Mount Orientation | Right Angle |

Housing Features

| | |
|--------------------|-----------------|
| Centerline (Pitch) | 2.54 mm [.1 in] |
| FFC Cable Entry | Right Angle |
| Housing Material | Thermoplastic |

Contact Features



| | |
|--|-----------------|
| Contact Type | Socket |
| Contact Current Rating (Max) | 1 A |
| Contact Mating Area Plating Material | Tin |
| Contact Base Material | Phosphor Bronze |
| Contact Mating Area Plating Material Finish | Bright |
| Contact Mating Area Plating Material Thickness | 5 µm |

Packaging Features

| | |
|--------------------|------|
| Packaging Method | Tray |
| Packaging Quantity | 660 |

Mechanical Attachment

| | |
|--------------------------|--------------|
| Mating Retention | Without |
| Mating Alignment | With |
| Panel Mount Feature | Without |
| Connector Mounting Type | Board Mount |
| PCB Mount Retention Type | Z Bend |
| Mating Alignment Type | Polarization |
| PCB Mount Retention | With |

Body Features

| | |
|-----------------------|-------|
| Primary Product Color | Black |
|-----------------------|-------|

Usage Conditions

| | |
|-----------------------------|----------------------------|
| Operating Temperature Range | -55 – 105 °C[-67 – 221 °F] |
|-----------------------------|----------------------------|

Other

| | |
|--------------------|-----------|
| EU RoHS Compliance | Compliant |
| EU ELV Compliance | Compliant |

Termination Features

| | |
|--------------------------------|-----------------------|
| Termination Method to PCB | Through Hole - Solder |
| Termination Post & Tail Length | 3.18 mm[.125 in] |

Dimensions

| | |
|-----------------------------|------------------|
| PCB Thickness (Recommended) | 1.57 mm[.062 in] |
|-----------------------------|------------------|

Operation/Application

| | |
|---------------------|--------|
| Circuit Application | Signal |
|---------------------|--------|

Industry Standards

| | |
|------------------------|----------|
| UL Flammability Rating | UL 94V-0 |
|------------------------|----------|

Product Compliance

[For compliance documentation, visit the product page on TE.com>](#)

| | |
|---|---|
| EU RoHS Directive 2011/65/EU | Compliant |
| EU ELV Directive 2000/53/EC | Compliant |
| China RoHS 2 Directive MIIT Order No 32, 2016 | No Restricted Materials Above Threshold |
| EU REACH Regulation (EC) No. 1907/2006 | Current ECHA Candidate List: JUNE 2024 (241) Candidate List Declared Against: JUNE 2024 (241) Does not contain REACH SVHC |
| Halogen Content | Not Low Halogen - contains Br or Cl > 900 ppm. |
| Solder Process Capability | Wave solder capable to 265°C |

Product Compliance Disclaimer

This information is provided based on reasonable inquiry of our suppliers and represents our current actual knowledge based on the information they provided. This information is subject to change. The part numbers that TE has identified as EU RoHS compliant have a maximum concentration of 0.1% by weight in homogenous materials for lead, hexavalent chromium, mercury, PBB, PBDE, DBP, BBP, DEHP, DIBP, and 0.01% for cadmium, or qualify for an exemption to these limits as defined in the Annexes of Directive 2011/65/EU (RoHS2). Finished electrical and electronic equipment products will be CE marked as required by Directive 2011/65/EU. Components may not be CE marked. Additionally, the part numbers that TE has identified as EU ELV compliant have a maximum concentration of 0.1% by weight in homogenous materials for lead, hexavalent chromium, and mercury, and 0.01% for cadmium, or qualify for an exemption to these limits as defined in the Annexes of Directive 2000/53/EC (ELV). Regarding the REACH Regulation, the information TE provides on SVHC in articles for this part number is based on the latest European Chemicals Agency (ECHA) 'Guidance on requirements for substances in articles' posted at this URL: <https://echa.europa.eu/guidance-documents/guidance-on-reach>

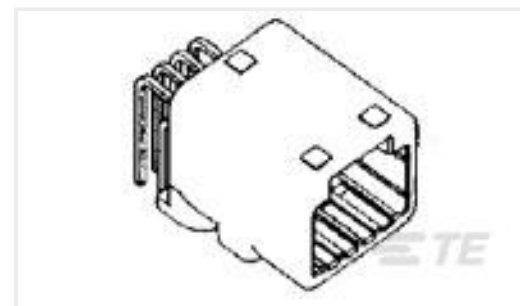
Also in the Series | **TRIO-MATE**



Customers Also Bought



TE Part #2-487406-2
FFC,RCPT CONTACT,STD PRESSURE



TE Part #1376350-2
025 I/O CAP HSG ASSY 8P



TE Part #1744524-8
08P EP HDR NO 3,6 PIN V0 GWT



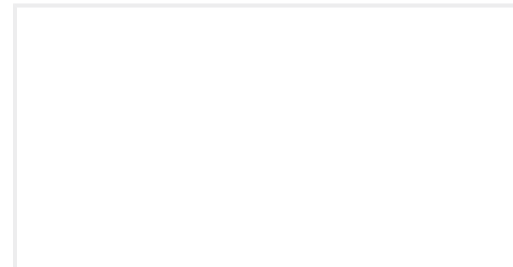
TE Part #4-1744524-6
EP 06P HEADER ASY NO 5 PIN



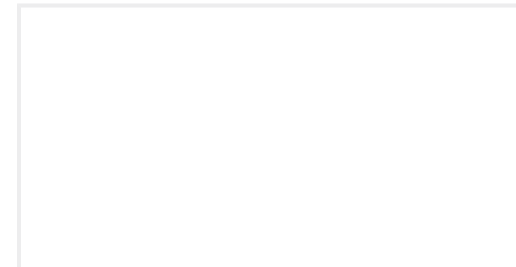
TE Part #4-2232043-5
5P, RAST 5 Tab Header, THV



TE Part #8-2232043-3
3P, RAST 5 Tab Header, THV



TE Part #2-2532387-2
2P, RAST 5 HEADER, DIN, SILVER SHROUDED



TE Part #6-2232045-3
3P, RAST 5 TAB HEADER, THV

Documents

Product Drawings

[TRIOMATE ASY H 8P L=3.175,LDFR](#)

English

CAD Files

[3D PDF](#)

3D

Customer View Model

[ENG_CVM_CVM_5-487508-7_F.2d_dxf.zip](#)

English

Customer View Model

[ENG_CVM_CVM_5-487508-7_F.3d_igs.zip](#)

English

Customer View Model

[ENG_CVM_CVM_5-487508-7_F.3d_stp.zip](#)

English

By downloading the CAD file I accept and agree to the [Terms and Conditions](#) of use.

Product Specifications

[Trio-Mate Flat Flexible Discrete Circuit .100 Connectors](#)

English

[Application Specification](#)

Japanese

[Application Specification](#)

English