



**Power Double Lock**

TE Internal #: 2005249-9

Housing, Receptacle, Wire-to-Panel / Wire-to-Wire, 2 Position, 3.96 mm [.156 in] Centerline, Power Double Lock, Rectangular Power Connectors

[View on TE.com >](#)

Connectors > Power Connectors > Rectangular Power > Rectangular Power Connectors



EU RoHS Compliance: **Compliant**

EU ELV Compliance: **Compliant**

Rectangular Power Connector Type: **Housing**

Connector & Housing Type: **Receptacle**

Connector System: **Wire-to-Panel, Wire-to-Wire**

**Features**

**Other**

EU RoHS Compliance	Compliant
EU ELV Compliance	Compliant

**Product Type Features**

Compatible With Discrete Wire Type	Stranded
Rectangular Power Connector Type	Housing
Connector & Housing Type	Receptacle
Connector System	Wire-to-Panel, Wire-to-Wire
Sealable	No
Connector & Contact Terminates To	Wire & Cable

**Configuration Features**

Number of Positions	2
Number of Power Positions	0
Number of Signal Positions	0
Number of Rows	1



### Electrical Characteristics

Operating Voltage	50 VAC, 300 VAC
-------------------	-----------------

### Contact Features

Contact Layout	Inline
Contact Retention Within Housing	Without
Contact Type	Tab

### Termination Features

Termination Method to Wire & Cable	Crimp
------------------------------------	-------

### Mechanical Attachment

Panel Mount Feature	With
Panel Mount Feature Type	Latches
Connector Mounting Type	Panel Mount

### Housing Features

Centerline (Pitch)	3.96 mm [.156 in]
Housing Color	Black
Housing Material	PA 66

### Dimensions

Panel Thickness (Recommended)	.8 – 2 mm [.031 – .078 in]
Product Length	26.1 mm
Connector Height	9.94 mm

### Usage Conditions

Operating Temperature Range	-30 – 65 °C [-22 – 149 °F]
-----------------------------	----------------------------

### Operation/Application

Circuit Application	Power & Signal
---------------------	----------------

### Industry Standards

Compatible With Agency/Standards Products	USR, CNR
Compatible With Approved Standards Products	UL 1977, CSA/C22.2 No. 182.3-M1987
UL Flammability Rating	UL 94V-0
Glow Wire Rating	GWT 750°C (Without Flame)

### Packaging Features

Packaging Quantity	200
--------------------	-----



Packaging Method

Bag

### Product Compliance

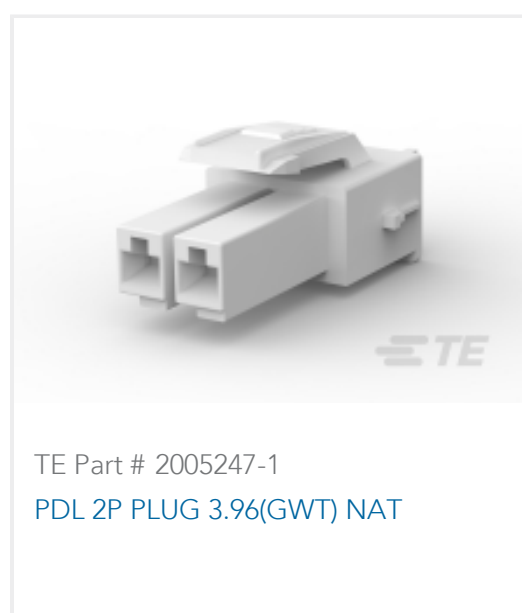
[For compliance documentation, visit the product page on TE.com>](#)

EU RoHS Directive 2011/65/EU	Compliant
EU ELV Directive 2000/53/EC	Compliant
China RoHS 2 Directive MIIT Order No 32, 2016	No Restricted Materials Above Threshold
EU REACH Regulation (EC) No. 1907/2006	Current ECHA Candidate List: JUNE 2024 (241) Candidate List Declared Against: JUNE 2024 (241) Does not contain REACH SVHC
Halogen Content	Not Low Halogen - contains Br or Cl > 900 ppm.
Solder Process Capability	Not applicable for solder process capability

#### Product Compliance Disclaimer

This information is provided based on reasonable inquiry of our suppliers and represents our current actual knowledge based on the information they provided. This information is subject to change. The part numbers that TE has identified as EU RoHS compliant have a maximum concentration of 0.1% by weight in homogenous materials for lead, hexavalent chromium, mercury, PBB, PBDE, DBP, BBP, DEHP, DIBP, and 0.01% for cadmium, or qualify for an exemption to these limits as defined in the Annexes of Directive 2011/65/EU (RoHS2). Finished electrical and electronic equipment products will be CE marked as required by Directive 2011/65/EU. Components may not be CE marked. Additionally, the part numbers that TE has identified as EU ELV compliant have a maximum concentration of 0.1% by weight in homogenous materials for lead, hexavalent chromium, and mercury, and 0.01% for cadmium, or qualify for an exemption to these limits as defined in the Annexes of Directive 2000/53/EC (ELV). Regarding the REACH Regulation, the information TE provides on SVHC in articles for this part number is based on the latest European Chemicals Agency (ECHA) 'Guidance on requirements for substances in articles' posted at this URL: <https://echa.europa.eu/guidance-documents/guidance-on-reach>

### Compatible Parts





TE Part # 368590-1  
PDL 2P DBL PLATE 3.96(GWT) NAT

### Also in the Series | Power Double Lock



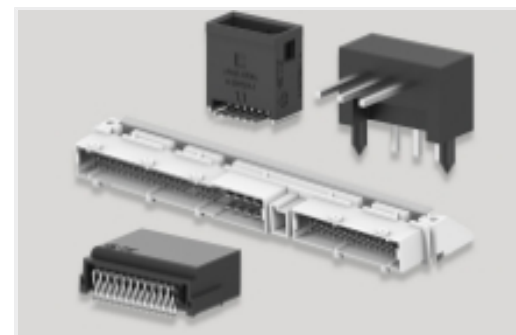
Connector Contacts(24)



Connector Hardware(14)



Insertion & Extraction Tools(2)



PCB Headers & Receptacles(43)



Rectangular Power Connectors(240)

### Customers Also Bought



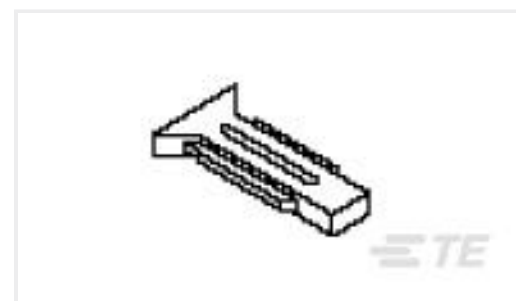
TE Part #2-327958-1  
TERMINAL,PIDG RECT 16-14 6



TE Part #5-104450-1  
02 MTE HDR SRST LATCH W/HLDWN



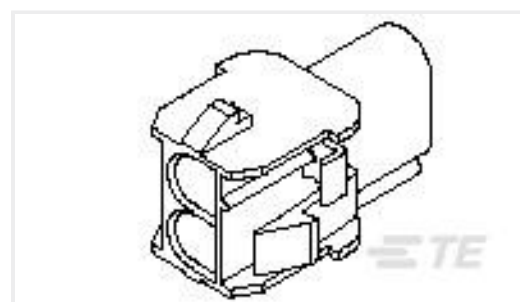
TE Part #36932  
BODY SOLIS RING 4/0 3/8



TE Part #650025-2  
KEY PLUG-SHORT



TE Part #2-406549-5  
IMJ,1X1,PNL GRD,LED(G/G), SN



TE Part #794815-1  
02P UMNL CAP HSG,HI TEMP



TE Part #1586176-1  
12P UMNL PIN HDR 94VO NDH



TE Part #NB19304001  
RNF-100-1/8-RD-SP



TE Part #3-284047-7  
Vertical Plug, RH, 5.08mm, Gn,



TE Part #4-1437175-0  
FSP-22.25A

## Documents

### Product Drawings

[PDL 2P CAP 3.96 P/M\(GWT\) BLK](#)

English

### CAD Files

[3D PDF](#)

3D

Customer View Model

[ENG\\_CVM\\_CVM\\_2005249-9\\_B.2d\\_dxf.zip](#)

English

Customer View Model

[ENG\\_CVM\\_CVM\\_2005249-9\\_B.3d\\_igs.zip](#)

English

Customer View Model

[ENG\\_CVM\\_CVM\\_2005249-9\\_B.3d\\_stp.zip](#)

English

By downloading the CAD file I accept and agree to the [Terms and Conditions](#) of use.

### Product Specifications

[Application Specification](#)

English