



SOLISTRAND

TE Internal #: 34320

Parallel Splice, 4 AWG Wire Size, 21 mm² Wire Size, Serrated, 7.52 mm [.296 in] Barrel Inside Diameter, 33100 – 52600 CMA Wire Size, Copper, Splices

[View on TE.com >](#)

Terminals & Splices > Splices



Splice Type: **Parallel Splice**

Wire Size: **21 mm²**

Sealable: **No**

Splice Features: **Serrated**

Features

Contact Features

	100 μin
Terminal Plating Material	Tin
Contact Base Material	Copper
Barrel Type	Closed

Dimensions

Outside Diameter	11.76 mm[.463 in]
Wire Size	33100 – 52600 CMA
Barrel Inside Diameter	7.52 mm[.296 in]
Terminal Material Thickness	1.85 mm[.073 in]
Product Length	13.49 mm[.531 in]

Product Type Features

Splice Accessory Type	Splice
Splice Type	Parallel Splice
Sealable	No
Compatible With Discrete Wire Type	Solid, Stranded



Wire Insulation Support Retention Type	Non-Insulation Support
--	------------------------

Configuration Features

Compatible With Wire & Cable Type	Discrete Wire
-----------------------------------	---------------

Body Features

Splice Features	Serrated
-----------------	----------

Mechanical Attachment

Wire Insulation Support	Without
-------------------------	---------

Usage Conditions

Insulation Option	Uninsulated
Operating Temperature Range	170 °C[338 °F]

Operation/Application

Compatible With Wire Base Material	Copper
------------------------------------	--------

Industry Standards

Government Qualified Splice	No
-----------------------------	----

Packaging Features

Packaging Method	Loose Piece
------------------	-------------

Other

EU RoHS Compliance	Compliant
EU ELV Compliance	Compliant

Product Compliance

[For compliance documentation, visit the product page on TE.com>](#)

EU RoHS Directive 2011/65/EU	Compliant
EU ELV Directive 2000/53/EC	Compliant
China RoHS 2 Directive MIIT Order No 32, 2016	No Restricted Materials Above Threshold
EU REACH Regulation (EC) No. 1907/2006	Current ECHA Candidate List: JUNE 2024 (241) Candidate List Declared Against: JUNE 2024 (241) Does not contain REACH SVHC
Halogen Content	Low Halogen - Br, Cl, F, I < 900 ppm per homogenous material. Also BFR/CFR/PVC Free

Solder Process Capability

Not applicable for solder process capability

Product Compliance Disclaimer

This information is provided based on reasonable inquiry of our suppliers and represents our current actual knowledge based on the information they provided. This information is subject to change. The part numbers that TE has identified as EU RoHS compliant have a maximum concentration of 0.1% by weight in homogenous materials for lead, hexavalent chromium, mercury, PBB, PBDE, DBP, BBP, DEHP, DIBP, and 0.01% for cadmium, or qualify for an exemption to these limits as defined in the Annexes of Directive 2011/65/EU (RoHS2). Finished electrical and electronic equipment products will be CE marked as required by Directive 2011/65/EU. Components may not be CE marked. Additionally, the part numbers that TE has identified as EU ELV compliant have a maximum concentration of 0.1% by weight in homogenous materials for lead, hexavalent chromium, and mercury, and 0.01% for cadmium, or qualify for an exemption to these limits as defined in the Annexes of Directive 2000/53/EC (ELV). Regarding the REACH Regulation, the information TE provides on SVHC in articles for this part number is based on the latest European Chemicals Agency (ECHA) 'Guidance on requirements for substances in articles' posted at this URL: <https://echa.europa.eu/guidance-documents/guidance-on-reach>

Compatible Parts



TE Part # 1490413-3
HYP10 SOLIS 4AWG NEST



TE Part # 1490414-2
HYP10 SOLIS HD 6-4AWG INDENTER



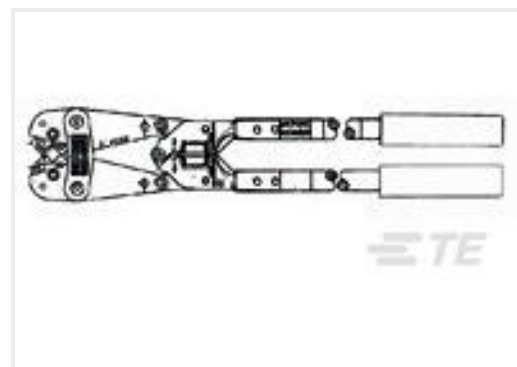
TE Part # 601075
BANTAM ROTA-CRIMP TOOL



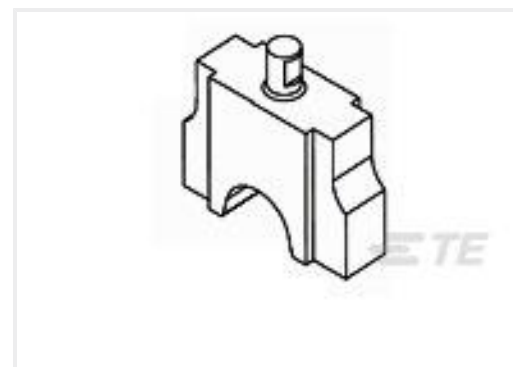
TE Part # 48127
HYP8 SOLIS 6-2AWG INDENTER



TE Part # 69218
HYP8/10 SOLIS 4AWG DIE SET



TE Part # 600850
ROTO-CRIMP TOOL (ASI)



TE Part # 1901000-2
NEST #4



TE Part # 34320-1
SOLIS, PARA 4 60/40 SN-PB

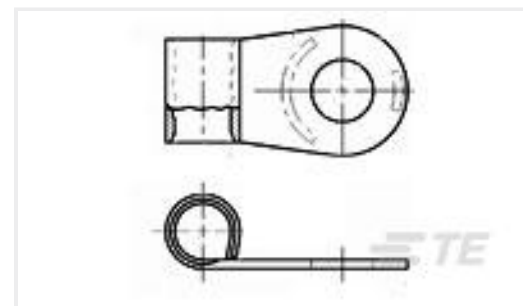


TE Part # 48129
HYP8 SOLIS 4AWG NEST

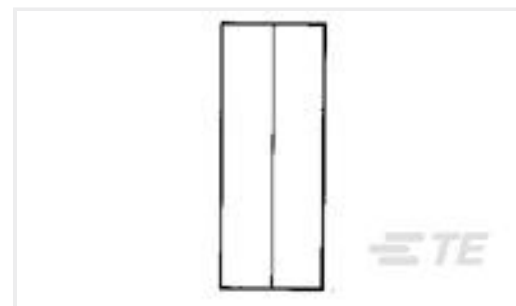
Customers Also Bought



TE Part #35274
TERMINAL,PIDG R 16-14 14



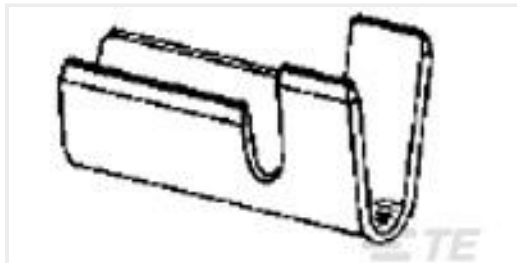
TE Part #321576
TERM,SOLIS, FLAG, R, 6, 1/4



TE Part #36946
SPLICE,SOLIS PARA 1/0



TE Part #63241-1
FF 110 REC 22-18AWG BR



TE Part #925553-1
AM WIRE PIN 17-13 .013 BR



TE Part #2-322996-1
TERMINAL,SOLIS SPD 16-14 6



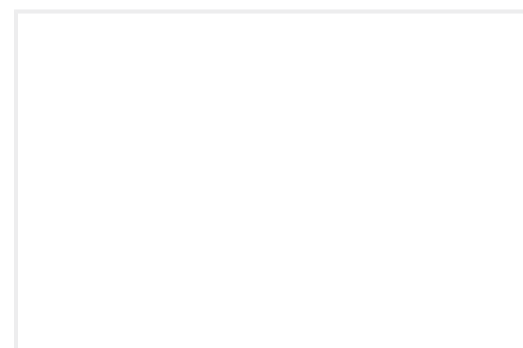
TE Part #321879
TERMINAL,SOLIS R 4/0 7/16



TE Part #320855
TERMINAL,SOLIS SPD FLG 16-14 6



TE Part #1-2359440-1
18POS,AMP MCP 1.5K,REC HSG,
UNSLD



TE Part #1-603326-1
FP21 HST 1/4" X 4' BLACK

Documents

Product Drawings

[SPLICE,SOLIS PARA 4](#)

English

CAD Files

[3D PDF](#)

3D

Customer View Model

[ENG_CVM_CVM_34320_R1.3d_stp.zip](#)

English

Customer View Model

[ENG_CVM_CVM_34320_R1.3d_igs.zip](#)

English

Customer View Model

[ENG_CVM_CVM_34320_R1.2d_dxf.zip](#)

English

By downloading the CAD file I accept and agree to the [Terms and Conditions](#) of use.

Datasheets & Catalog Pages



SOLISTRAND - QRG

English

Instruction Sheets

[Instruction Sheet \(U.S.\)](#)

English

Agency Approvals

[UL Report](#)

English

[UL Report](#)

English