

102099-2 ✓ ACTIVE

AMPMODU | AMPMODU MOD 1

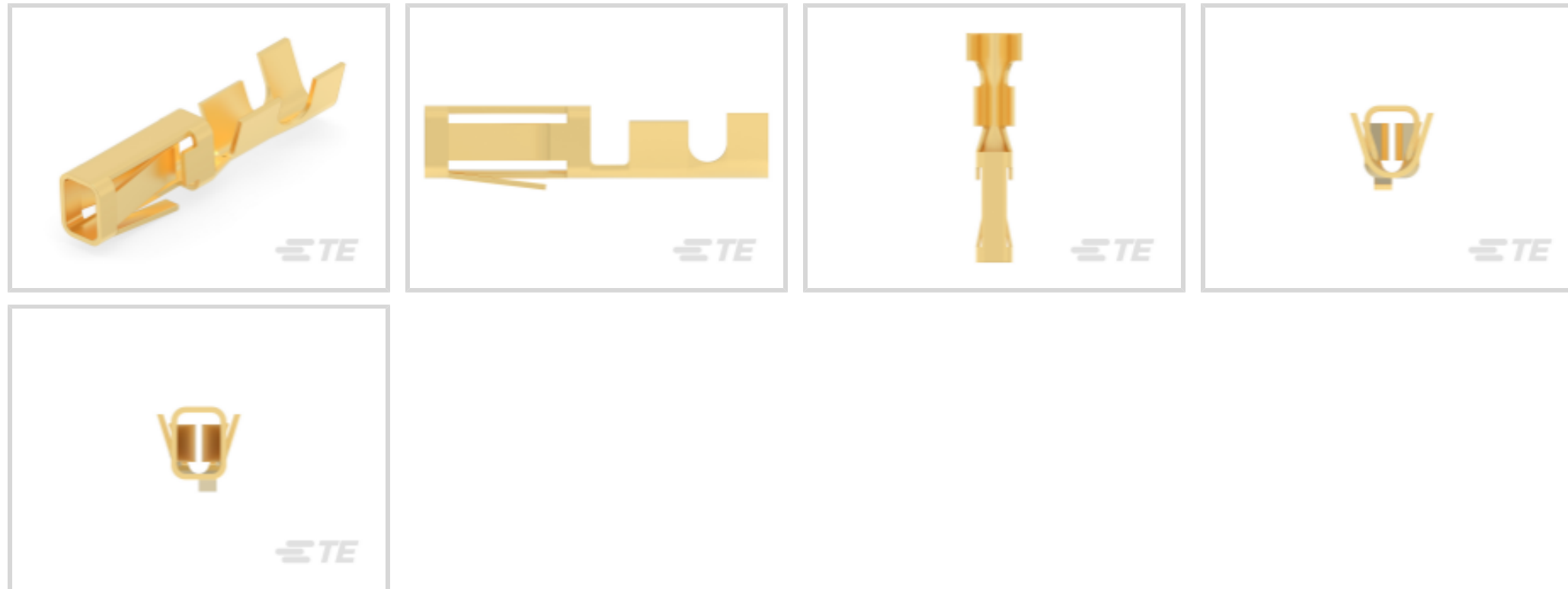
TE Internal #: 102099-2

Socket Contact, Gold, 22 – 18 AWG Wire Size, .3 – .9 mm² Wire Size, Phosphor Bronze, Signal, -65 – 105 °C [-85 – 221 °F], AMPMODU MOD 1

[View on TE.com >](#)



Connectors > Contacts > Connector Contacts



Contact Type: **Socket**

Contact Mating Area Plating Material: **Gold**

Wire Size: **.3 – .9 mm²**

Contact Base Material: **Phosphor Bronze**

Features

Electrical Characteristics

Contact Resistance	12 mΩ
Dielectric Withstanding Voltage (Max)	1200 V
Insulation Resistance	5000 MΩ

Product Type Features

Applied Pressure	Standard
------------------	----------

Mechanical Attachment

Wire Insulation Support	With
PCB Mount Retention	Without

Packaging Features

Packaging Method	Reel
Packaging Quantity	5000

Dimensions

Compatible Insulation Diameter Range	1.3 – 2.29 mm [.051 – .09 in]
Wire Size	.3 – .9 mm ²



Contact Features

Contact Orientation	Straight
PCB Contact Termination Area Plating Material	Gold Flash
Contact Mating Area Plating Material Thickness	.762 μm[30 μin]
Contact Type	Socket
Contact Mating Area Plating Material	Gold
Contact Base Material	Phosphor Bronze
Contact Current Rating (Max)	5 A

Termination Features

Product Terminates To	Wire & Cable
-----------------------	--------------

Usage Conditions

Operating Temperature Range	-65 – 105 °C[-85 – 221 °F]
-----------------------------	----------------------------

Operation/Application

Circuit Application	Signal
---------------------	--------

Other

EU RoHS Compliance	Compliant
EU ELV Compliance	Compliant

Product Compliance

[For compliance documentation, visit the product page on TE.com>](#)

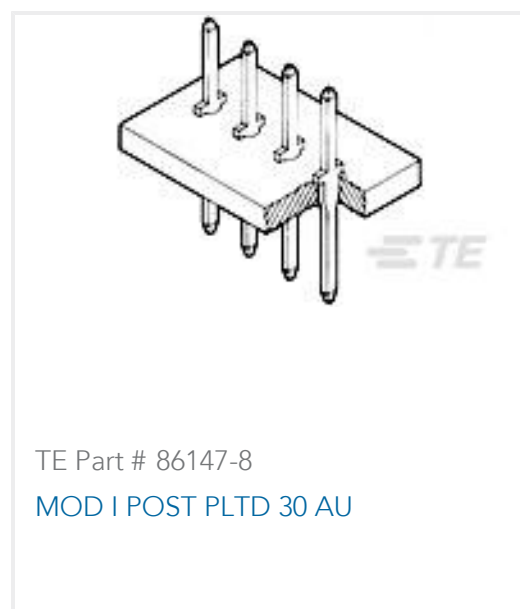
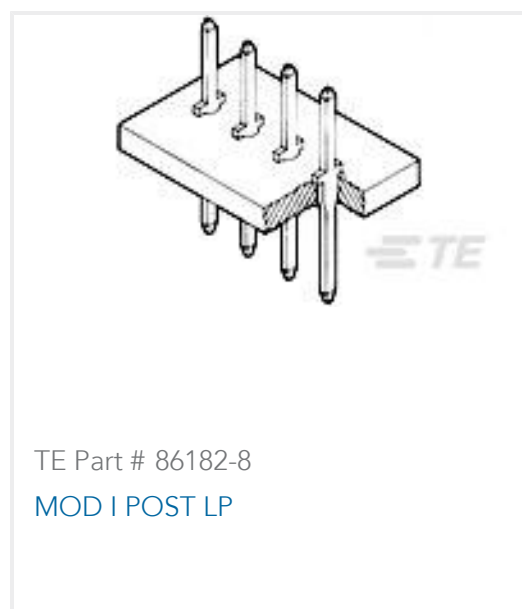
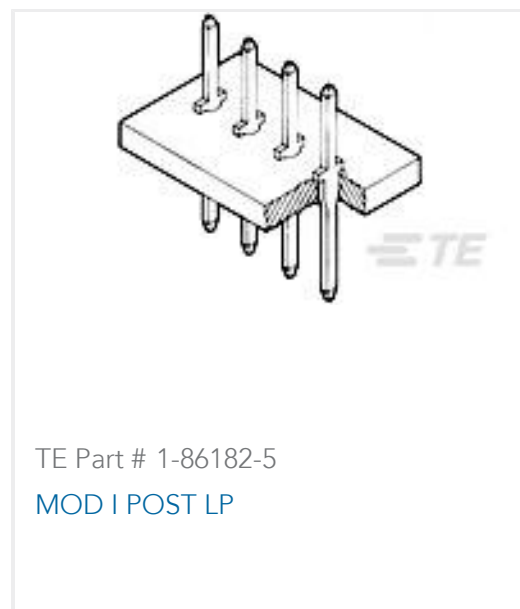
EU RoHS Directive 2011/65/EU	Compliant
EU ELV Directive 2000/53/EC	Compliant
China RoHS 2 Directive MIIT Order No 32, 2016	No Restricted Materials Above Threshold
EU REACH Regulation (EC) No. 1907/2006	Current ECHA Candidate List: JUNE 2024 (241) Candidate List Declared Against: JUNE 2024 (241) Does not contain REACH SVHC
Halogen Content	Low Halogen - Br, Cl, F, I < 900 ppm per homogenous material. Also BFR/CFR/PVC Free
Solder Process Capability	Wave solder capable to 265°C

Product Compliance Disclaimer

This information is provided based on reasonable inquiry of our suppliers and represents our current actual knowledge based on the information they provided. This information is subject to change. The part numbers that TE has identified as

EU RoHS compliant have a maximum concentration of 0.1% by weight in homogenous materials for lead, hexavalent chromium, mercury, PBB, PBDE, DBP, BBP, DEHP, DIBP, and 0.01% for cadmium, or qualify for an exemption to these limits as defined in the Annexes of Directive 2011/65/EU (RoHS2). Finished electrical and electronic equipment products will be CE marked as required by Directive 2011/65/EU. Components may not be CE marked. Additionally, the part numbers that TE has identified as EU ELV compliant have a maximum concentration of 0.1% by weight in homogenous materials for lead, hexavalent chromium, and mercury, and 0.01% for cadmium, or qualify for an exemption to these limits as defined in the Annexes of Directive 2000/53/EC (ELV). Regarding the REACH Regulation, the information TE provides on SVHC in articles for this part number is based on the latest European Chemicals Agency (ECHA) 'Guidance on requirements for substances in articles' posted at this URL: <https://echa.europa.eu/guidance-documents/guidance-on-reach>

Compatible Parts





TE Part # 87159-6
06 MOD1 CRMP S-I HSG SR .156CL



TE Part # 87159-8
08 MOD1 CRMP S-I HSG SR .156CL

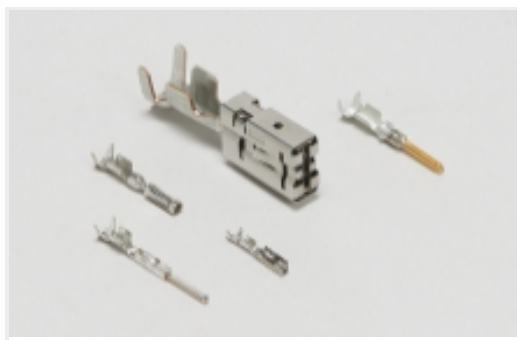


TE Part # 1-87159-0
10 MOD1 CRMP S-I HSG SR .156CL



TE Part # 1-87159-4
15 MOD1 CRMP S-I HSG SR .156CL

Also in the Series | AMPMODU MOD 1



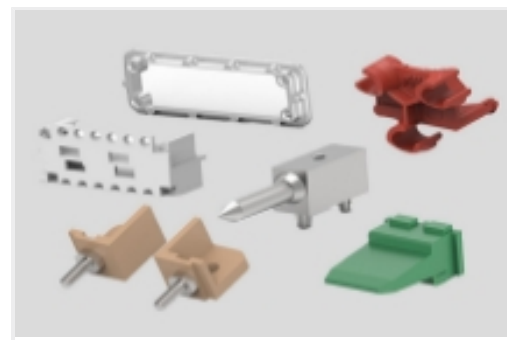
Automotive Terminals(4)



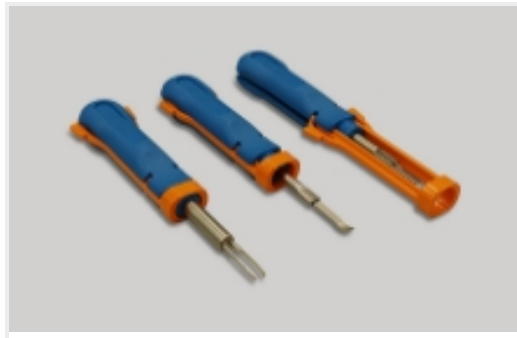
Board-to-Board Jumpers & Shunts(5)



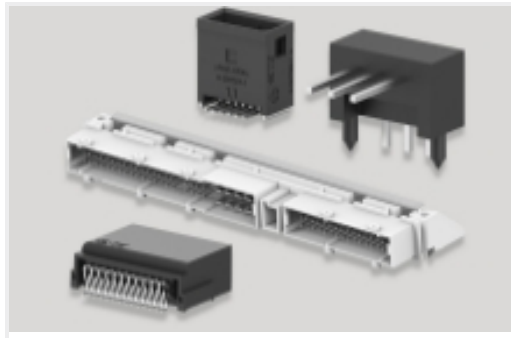
Connector Contacts(75)



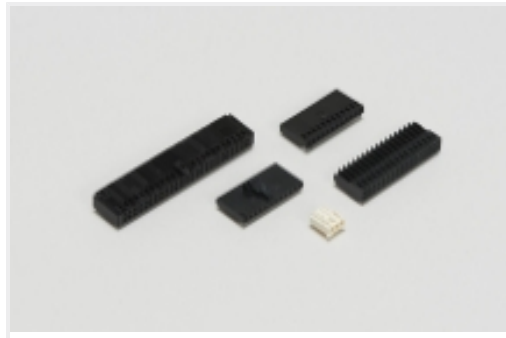
Connector Hardware(2)



Insertion & Extraction Tools(1)



PCB Headers & Receptacles(105)



Wire-to-Board Connector Assemblies & Housings(16)

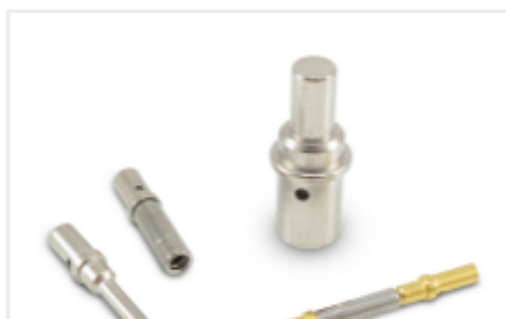
Customers Also Bought



TE Part #DT04-2P
REC, 2P, GRY, N



TE Part #W2S
Wedgelocks: DEUTSCH DT



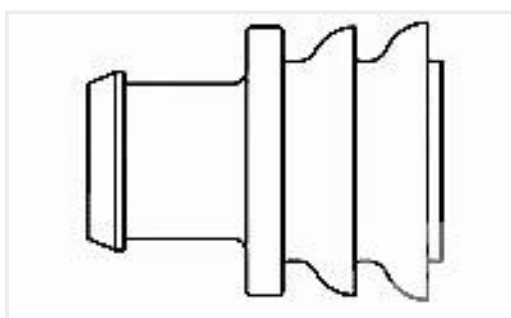
TE Part #0460-202-16141
DEUTSCH Solid Contacts



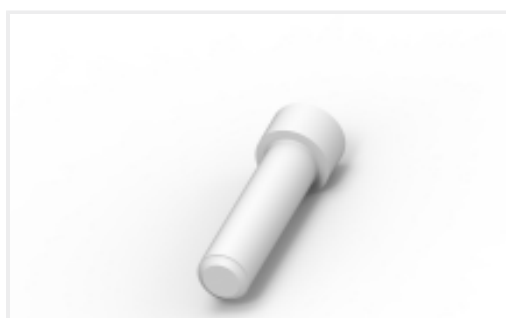
TE Part #282104-1
AMP SUPERSEAL 1.5MM,
CONNECTOR HOUSING



TE Part #DT06-2S
PLG, 2P, GRY, N



TE Part #281934-2
SINGLE WIRE SEAL



TE Part #114017-ZZ
SEALING PLUG, SIZE 12/16, WHT



Documents

Product Drawings

[MOD I RECP PLTD 30 SEL](#)

English

CAD Files

Customer View Model

[ENG_CVM_102099-2_J.3d_igs.zip](#)

English

Customer View Model

[ENG_CVM_102099-2_J.3d_stp.zip](#)

English

Customer View Model

[ENG_CVM_102099-2_J.2d_dxf.zip](#)

English

[3D PDF](#)

English

By downloading the CAD file I accept and agree to the [Terms and Conditions](#) of use.

Product Specifications

[Application Specification](#)

English