

2-320575-1 ✓ ACTIVE



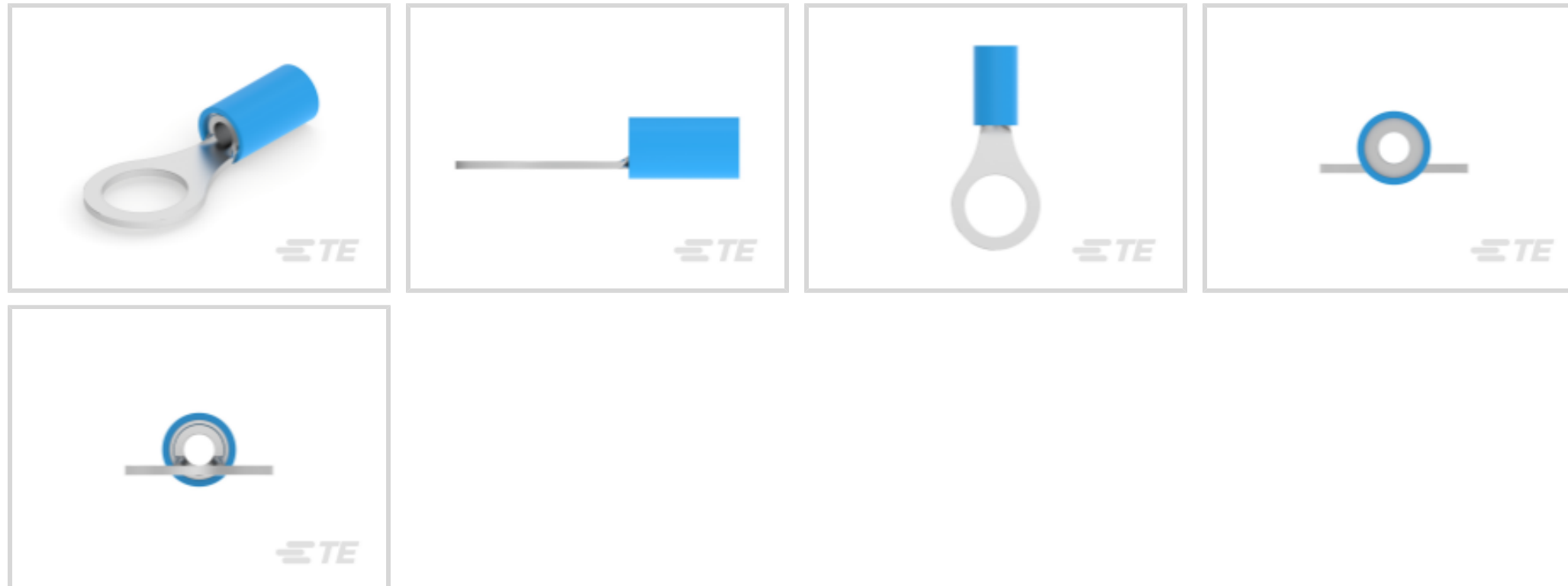
## PIDG

TE Internal #: 2-320575-1

Closed Ring Tongue Terminal, 16 – 14 AWG, 5/16 / M8 Stud Size,  
7.92 mm [.312 in] Stud Diameter, Closed Barrel, Straight, Tin,  
Partially Insulated

[View on TE.com >](#)

Terminals & Splices > Ring Terminals > PIDG Ring Tongue Terminals



Ring Terminal Product Type: Closed Ring Tongue Terminal

Wire Size: 2050 – 5180 CMA

Stud Size: M8, 5/16

[All PIDG Ring Tongue Terminals \(410\)](#)

## Features

### Product Type Features

|  |                             |
|--|-----------------------------|
| Ring Terminal Product Type             | Closed Ring Tongue Terminal |
| Stud Size                              | M8, 5/16                    |
| Sealable                               | No                          |
| Wire Insulation Support Retention Type | Insulation Support          |

### Dimensions

|                                      |                                |
|--------------------------------------|--------------------------------|
| Wire Size                            | 2050 – 5180 CMA                |
| Stud Diameter                        | 7.92 mm [.312 in]              |
| Tongue Thickness                     | .79 mm [.031 in]               |
| Product Length                       | 27.38 mm [1.078 in]            |
| Compatible Insulation Diameter (Max) | 3.81 mm [.15 in]               |
| Compatible Insulation Diameter Range | 2.67 – 3.81 mm [.105 – .15 in] |

### Contact Features

|                      |          |
|----------------------|----------|
| Barrel Type          | Closed   |
| Terminal Orientation | Straight |



|                           |     |
|---------------------------|-----|
| Terminal Plating Material | Tin |
|---------------------------|-----|

### Usage Conditions

|                             |                     |
|-----------------------------|---------------------|
| Insulation Option           | Partially Insulated |
| Operating Temperature Range | 105 °C[221 °F]      |

### Operation/Application

|                                       |        |
|---------------------------------------|--------|
| Compatible With Wire Base Material    | Copper |
| Compatible With Wire Plating Material | Tin    |

### Packaging Features

|                    |         |
|--------------------|---------|
| Packaging Method   | Package |
| Packaging Quantity | 4000    |

### Other

|                    |           |
|--------------------|-----------|
| EU RoHS Compliance | Compliant |
| EU ELV Compliance  | Compliant |

### Configuration Features

|                 |   |
|-----------------|---|
| Number of Holes | 1 |
|-----------------|---|

### Electrical Characteristics

|                |       |
|----------------|-------|
| Voltage Rating | 300 V |
|----------------|-------|

### Body Features

|                |         |
|----------------|---------|
| Product Weight | 1.305 g |
|----------------|---------|

### Mechanical Attachment

|                         |      |
|-------------------------|------|
| Wire Insulation Support | With |
|-------------------------|------|

### Industry Standards

|                               |    |
|-------------------------------|----|
| Government Qualified Terminal | No |
|-------------------------------|----|

## Product Compliance

[For compliance documentation, visit the product page on TE.com>](#)

|   |  |
|---|--|
| EU RoHS Directive 2011/65/EU                  | Compliant                                    |
| EU ELV Directive 2000/53/EC                   | Compliant                                    |
| China RoHS 2 Directive MIIT Order No 32, 2016 | No Restricted Materials Above Threshold      |
| EU REACH Regulation (EC) No. 1907/2006        | Current ECHA Candidate List: JUNE 2024 (241) |



Candidate List Declared Against: JUNE 2024 (241)  
Does not contain REACH SVHC

|                           |   |
|---------------------------|---|
| Halogen Content           | Low Halogen - Br, Cl, F, I < 900 ppm per homogenous material. Also BFR/CFR/PVC Free |
| Solder Process Capability | Not applicable for solder process capability  |

Product Compliance Disclaimer

This information is provided based on reasonable inquiry of our suppliers and represents our current actual knowledge based on the information they provided. This information is subject to change. The part numbers that TE has identified as EU RoHS compliant have a maximum concentration of 0.1% by weight in homogenous materials for lead, hexavalent chromium, mercury, PBB, PBDE, DBP, BBP, DEHP, DIBP, and 0.01% for cadmium, or qualify for an exemption to these limits as defined in the Annexes of Directive 2011/65/EU (RoHS2). Finished electrical and electronic equipment products will be CE marked as required by Directive 2011/65/EU. Components may not be CE marked. Additionally, the part numbers that TE has identified as EU ELV compliant have a maximum concentration of 0.1% by weight in homogenous materials for lead, hexavalent chromium, and mercury, and 0.01% for cadmium, or qualify for an exemption to these limits as defined in the Annexes of Directive 2000/53/EC (ELV). Regarding the REACH Regulation, the information TE provides on SVHC in articles for this part number is based on the latest European Chemicals Agency (ECHA) 'Guidance on requirements for substances in articles' posted at this URL: <https://echa.europa.eu/guidance-documents/guidance-on-reach>

### Compatible Parts



TE Part # 58433-3  
PRO CR ASSY, RBY IS9252



TE Part # 47387  
DAHT PG PIDG 20-14 ASSY



TE Part # 58423-1  
DIE, RBY IS9252



TE Part # 47806-2  
DIES PIDG 22-16 DIE SET



TE Part # 47807-1  
DIES PIDG 16-14 DIE SET



TE Part # 169404  
CERTI-LOK DIE

Also in the Series | **PIDG**



Compression Connectors(17)



Crimp Wire Pins, Tabs & Ferrules(41)



Hand Crimping Tools(2)



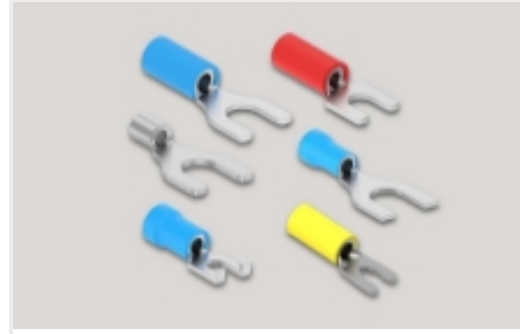
Knife Disconnects(11)



Quick Disconnects(32)



Ring Terminals(588)



Spade Terminals(228)



Special Purpose Terminals(1)



Splices(39)

## Customers Also Bought



TE Part #350536-7  
UMNL SOK 20-14 .0126 AUNI/BR



TE Part #1703804-1  
SLIDE, FOR TAB HOUSING, 15POS.



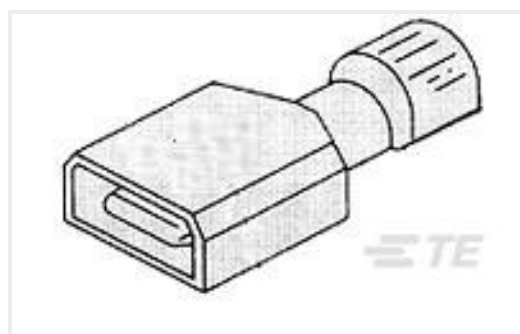
TE Part #2-35109-1  
PIDG Ring Tongue Terminals



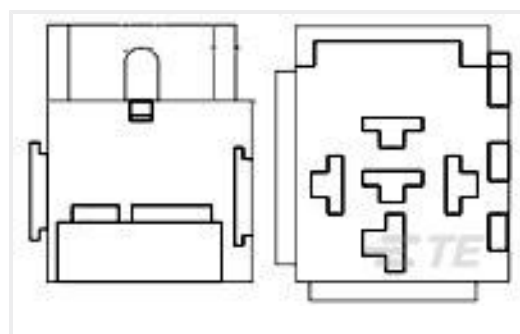
TE Part #321871  
BODY SOLIS RING 2/0 3/8



TE Part #4-192038-8  
LA3,.250,.006,SILVER



TE Part #3-520106-2  
ULTRA-FAST 250 ASY TAB 16-14 AWG  
TPBR



TE Part #4-1419106-0  
VCF4-1002=CONNECTOR,HOUSING-  
TPBR

## Documents



### Product Drawings

[TERMINAL,PIDG R 16-14 5/16](#)

English

---

### CAD Files

[3D PDF](#)

3D

Customer View Model

[ENG\\_CVM\\_CVM\\_2-320575-1\\_T.2d\\_dxf.zip](#)

English

Customer View Model

[ENG\\_CVM\\_CVM\\_2-320575-1\\_T.3d\\_igs.zip](#)

English

Customer View Model

[ENG\\_CVM\\_CVM\\_2-320575-1\\_T.3d\\_stp.zip](#)

English

By downloading the CAD file I accept and agree to the [Terms and Conditions](#) of use.

---

### Instruction Sheets

[Instruction Sheet \(U.S.\)](#)

English

---

### Agency Approvals

[UL Report](#)

English