



TE Internal #: 603502-3
 Butt Splice, 22 – 18 AWG Wire Size, .3 – .9 mm² Wire Size, Sealable,
 4 mm [.17 in] Barrel Inside Diameter, 509 – 1900 CMA Wire Size,
 Copper, Splices

[View on TE.com >](#)

Terminals & Splices > Splices



Splice Type: **Butt Splice**

Wire Size: **.3 – .9 mm²**

Sealable: **Yes**

Compatible Insulation Diameter Range: **4 mm [.17 in]**

Features

Electrical Characteristics

Operating Voltage	600 V
-------------------	-------

Packaging Features

Packaging Quantity	1000
Packaging Method	Loose Piece

Body Features

Weight	.003 oz
Insulation Material	Nylon
Insulation Type	Pre-Insulated
Primary Product Color	Red

Contact Features

Terminal Plating Material	Tin
Contact Base Material	Copper
Barrel Type	Closed

Dimensions

Recovered Inside Diameter	1.65 mm[.065 in]
---------------------------	------------------



Outside Diameter	4.45 mm [.175 in]
Wire Size	509 – 1900 CMA
Compatible Insulation Diameter Range	4 mm [.17 in]
Barrel Inside Diameter	4 mm [.17 in]
Product Length	43 mm [1.693 in]

Product Type Features

Splice Type	Butt Splice
Sealable	Yes
Compatible With Discrete Wire Type	Stranded
Wire Insulation Support Retention Type	Insulation Support

Configuration Features

Compatible With Wire & Cable Type	Discrete Wire
-----------------------------------	---------------

Mechanical Attachment

Wire Insulation Support	With
-------------------------	------

Usage Conditions

Insulation Option	Fully Insulated
Operating Temperature Range	-55 – 125 °C [-67 – 257 °F]

Industry Standards

Government Qualified Splice	No
-----------------------------	----

Other

EU RoHS Compliance	Compliant
EU ELV Compliance	Compliant

Product Compliance

[For compliance documentation, visit the product page on TE.com>](#)

EU RoHS Directive 2011/65/EU	Compliant
EU ELV Directive 2000/53/EC	Compliant
China RoHS 2 Directive MIIT Order No 32, 2016	No Restricted Materials Above Threshold
EU REACH Regulation (EC) No. 1907/2006	Current ECHA Candidate List: JUNE 2024 (241) Candidate List Declared Against: JUNE 2023 (235) Does not contain REACH SVHC

Halogen Content

BFR/CFR/PVC Free, but Br/Cl >900 ppm in other sources.

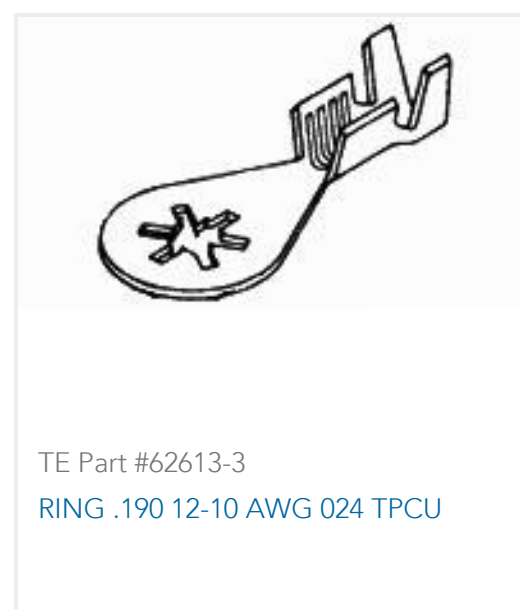
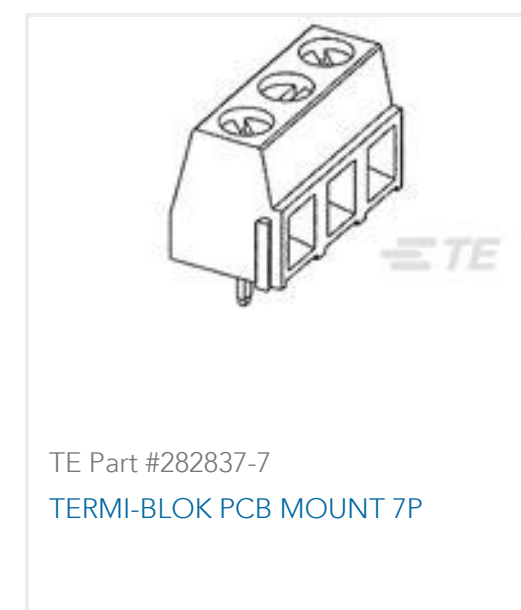
Solder Process Capability

Not applicable for solder process capability

Product Compliance Disclaimer

This information is provided based on reasonable inquiry of our suppliers and represents our current actual knowledge based on the information they provided. This information is subject to change. The part numbers that TE has identified as EU RoHS compliant have a maximum concentration of 0.1% by weight in homogenous materials for lead, hexavalent chromium, mercury, PBB, PBDE, DBP, BBP, DEHP, DIBP, and 0.01% for cadmium, or qualify for an exemption to these limits as defined in the Annexes of Directive 2011/65/EU (RoHS2). Finished electrical and electronic equipment products will be CE marked as required by Directive 2011/65/EU. Components may not be CE marked. Additionally, the part numbers that TE has identified as EU ELV compliant have a maximum concentration of 0.1% by weight in homogenous materials for lead, hexavalent chromium, and mercury, and 0.01% for cadmium, or qualify for an exemption to these limits as defined in the Annexes of Directive 2000/53/EC (ELV). Regarding the REACH Regulation, the information TE provides on SVHC in articles for this part number is based on the latest European Chemicals Agency (ECHA) 'Guidance on requirements for substances in articles' posted at this URL: <https://echa.europa.eu/guidance-documents/guidance-on-reach>

Customers Also Bought



Documents

Product Drawings

PRE-INSUL SEALED SPLICE 22-16

English

CAD Files

3D PDF

3D

Customer View Model

ENG_CVM_CVM_603502-3_K.2d_dxf.zip

English



Customer View Model

[ENG_CVM_CVM_603502-3_K.3d_igs.zip](#)

English

Customer View Model

[ENG_CVM_CVM_603502-3_K.3d_stp.zip](#)

English

Customer View Model

[ENG_CVM_603502-3_N.3d_igs.zip](#)

English

Customer View Model

[ENG_CVM_603502-3_N.3d_stp.zip](#)

English

Customer View Model

[ENG_CVM_603502-3_N.2d_dxf.zip](#)

English

3D PDF

English

By downloading the CAD file I accept and agree to the [Terms and Conditions](#) of use.