

1761609-7 ✓ ACTIVE



## AMP-LATCH

TE Internal #: 1761609-7

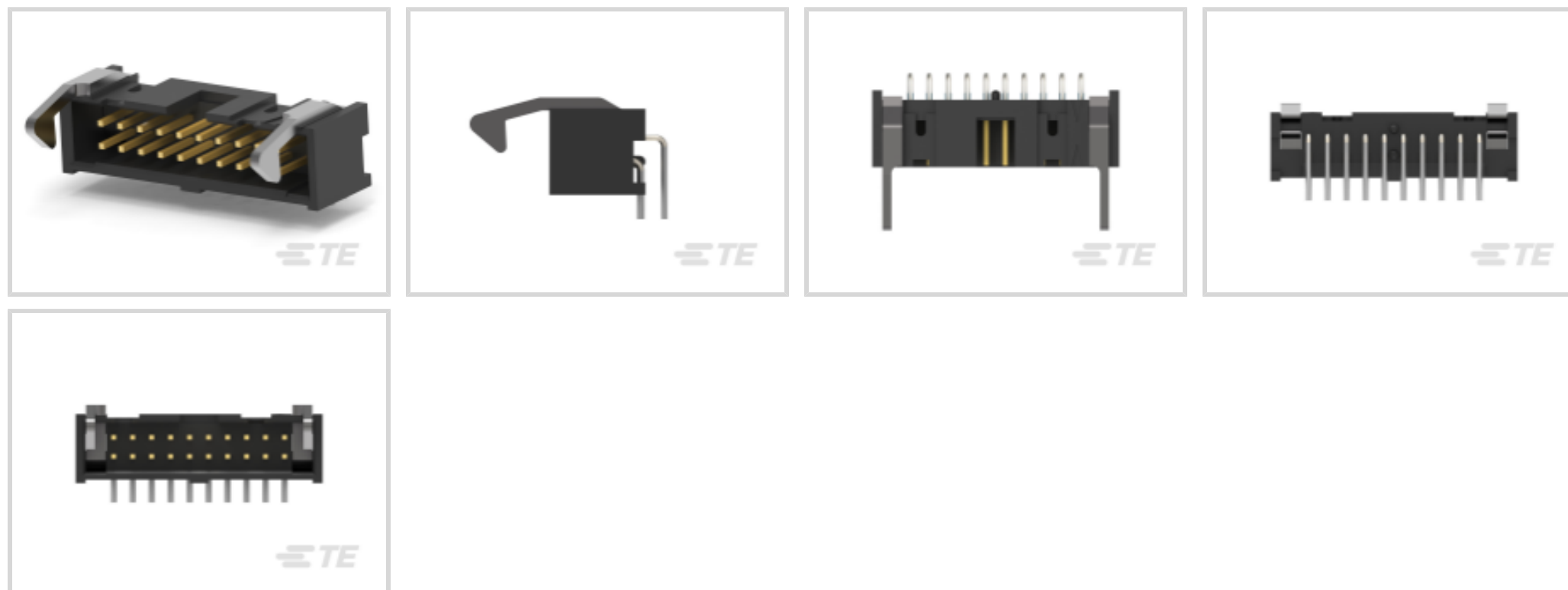
Wire-to-Board, 20 Position, 2.54 mm [.1 in] Centerline, Right Angle,

Through Hole - Solder, 2 Row, Plug, Low Profile, Ribbon Cable

Connectors

[View on TE.com >](#)

Connectors > PCB Connectors > Wire-to-Board Connectors > FFC, FPC & Ribbon Connectors > Ribbon Cable Connectors



Connector System: **Wire-to-Board**

Number of Positions: **20**

Centerline (Pitch): **2.54 mm [.1 in]**

PCB Mount Retention: **Without**

PCB Mount Orientation: **Right Angle**

### Features

#### Contact Features

	30 $\mu$ m
Contact Current Rating (Max)	1 A
Contact Underplating Material	Nickel
Mating Pin Diameter	.64 mm[.025 in]
Contact Shape & Form	Square
PCB Contact Termination Area Plating Material Thickness	2.54 $\mu$ m[100 $\mu$ m]
Contact Mating Area Plating Material	Gold Flash
Contact Base Material	Phosphor Bronze
PCB Contact Termination Area Plating Material	Tin
Contact Type	Pin

#### Product Type Features

Connector System	Wire-to-Board
Connector & Housing Type	Plug
Connector & Contact Terminates To	Printed Circuit Board



Connector Product Type	Connector Assembly
------------------------	--------------------

Ribbon Cable Connector Header Type	Pin Header
------------------------------------	------------

### Configuration Features

Number of Positions	20
---------------------	----

PCB Mount Orientation	Right Angle
-----------------------	-------------

Number of Rows	2
----------------	---

### Housing Features

Centerline (Pitch)	2.54 mm [.1 in]
--------------------	-----------------

Mating Entry Location	Top
-----------------------	-----

Housing Material	PBT
------------------	-----

### Mechanical Attachment

PCB Mount Retention	Without
---------------------	---------

Mating Alignment Type	Center
-----------------------	--------

Mating Retention	With
------------------	------

Mating Retention Type	Ejection Latch
-----------------------	----------------

Connector Mounting Type	Board Mount
-------------------------	-------------

Panel Mount Feature	Without
---------------------	---------

Mating Alignment	With
------------------	------

PCB Mount Alignment	Without
---------------------	---------

### Termination Features

Termination Method to PCB	Through Hole - Solder
---------------------------	-----------------------

Termination Post & Tail Diameter	.64 mm [.025 in]
----------------------------------	------------------

Termination Post & Tail Length	2.6 mm [.102 in]
--------------------------------	------------------

### Dimensions

Row-to-Row Spacing	2.54 mm [.1 in]
--------------------	-----------------

Shrouded End Dimension	3.76 mm [.148 in]
------------------------	-------------------

Connector Height	9.19 mm [.36 in]
------------------	------------------

Connector Length	33.02 mm [1.3 in]
------------------	-------------------

### Body Features

Connector Profile	Low
-------------------	-----

Primary Product Color	Black
-----------------------	-------

### Operation/Application



Circuit Application	Signal
---------------------	--------

### Usage Conditions

Operating Temperature Range	-65 – 105 °C[-85 – 221 °F]
Housing Temperature Rating	High

### Other

EU RoHS Compliance	Compliant
EU ELV Compliance	Compliant

### Electrical Characteristics

Operating Voltage	250 VAC
Insulation Resistance	5000 MΩ

### Industry Standards

UL Flammability Rating	UL 94V-0
------------------------	----------

### Packaging Features

Packaging Quantity	16
Packaging Method	Tube

### Product Compliance

[For compliance documentation, visit the product page on TE.com>](#)

EU RoHS Directive 2011/65/EU	Compliant
EU ELV Directive 2000/53/EC	Compliant
China RoHS 2 Directive MIIT Order No 32, 2016	No Restricted Materials Above Threshold
EU REACH Regulation (EC) No. 1907/2006	Current ECHA Candidate List: JUNE 2024 (241) Candidate List Declared Against: JUNE 2024 (241) Does not contain REACH SVHC
Halogen Content	Not Low Halogen - contains Br or Cl > 900 ppm.
Solder Process Capability	Wave solder capable to 265°C

#### Product Compliance Disclaimer

This information is provided based on reasonable inquiry of our suppliers and represents our current actual knowledge based on the information they provided. This information is subject to change. The part numbers that TE has identified as EU RoHS compliant have a maximum concentration of 0.1% by weight in homogenous materials for lead, hexavalent chromium, mercury, PBB, PBDE, DBP, BBP, DEHP, DIBP, and 0.01% for cadmium, or qualify for an exemption to these limits as defined in the Annexes of Directive 2011/65/EU (RoHS2). Finished electrical and electronic equipment products will be CE marked as required by Directive 2011/65/EU. Components may not be CE marked. Additionally, the part numbers that TE has identified as EU ELV compliant have a maximum concentration of 0.1% by weight in homogenous

materials for lead, hexavalent chromium, and mercury, and 0.01% for cadmium, or qualify for an exemption to these limits as defined in the Annexes of Directive 2000/53/EC (ELV). Regarding the REACH Regulation, the information TE provides on SVHC in articles for this part number is based on the latest European Chemicals Agency (ECHA) 'Guidance on requirements for substances in articles' posted at this URL: <https://echa.europa.eu/guidance-documents/guidance-on-reach>

## Compatible Parts



TE Part # 1658620-4  
20 NOVO MIL 15DP, LEAD FREE



TE Part # 1-1658526-2  
609-2030LF FEM SOCKET, LEAD FREE



TE Part # 1658621-4  
20 NOVO MIL/CTR 15DP, LEAD FREE



TE Part # 1658623-4  
20 NOVO MIL 30DP, LEAD FREE



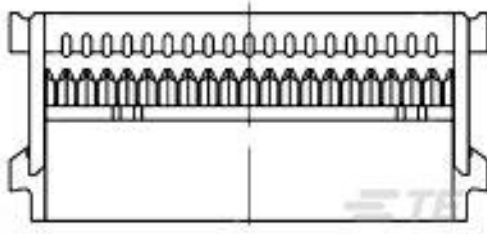
TE Part # 2-1658527-3  
622-2030LF=FSKT IDC S 20 30AU



TE Part # 1658622-4  
20 NOVO MIL/CTR 30DP, LEAD FREE




TE Part # 1-1658528-5  
636-2030LF=FEM SKT BLADE POL 1



TE Part # 3-1658526-0  
609-2000MLF=FSKT IDC S 20 30AU

## Customers Also Bought



TE Part # 5556416-1  
MJ, TE, 8P



TE Part # 5536405-5  
ASSY, PIN, EUROCARD, TYPE C, LEAD-



TE Part # 3-6318491-6  
.5FHP08H, 220, S, GIG, 08/Sn, HT, NSYes



TE Part # 5-146256-1  
02 MODII HDR DRST B/A .100CL LF



TE Part # 5556416-1  
MJ, TE, 8P



TE Part # 2-647123-4  
04P MTA156 SHRD HDR ASSY SQ SN



TE Part # 1-1674231-1  
2.5MM PITCH BATTERY REC ASSEMBLY DIP TYP



TE Part # 6-534237-4  
16 MODII VRT SR CE 100/115



## Documents

### Product Drawings

IDC LOW PRO HDR 20P RA SHT LAT

English

### CAD Files

3D PDF

3D

Customer View Model

ENG\_CVM\_CVM\_1761609-7\_C.2d\_dxf.zip

English

Customer View Model

ENG\_CVM\_CVM\_1761609-7\_C.3d\_igs.zip

English

Customer View Model

ENG\_CVM\_CVM\_1761609-7\_C.3d\_stp.zip

English

By downloading the CAD file I accept and agree to the [Terms and Conditions](#) of use.

### Datasheets & Catalog Pages

Ribbon Cable Interconnect Solutions

English

### Product Specifications

Product Specification

English

### Agency Approvals

UL Report

English