

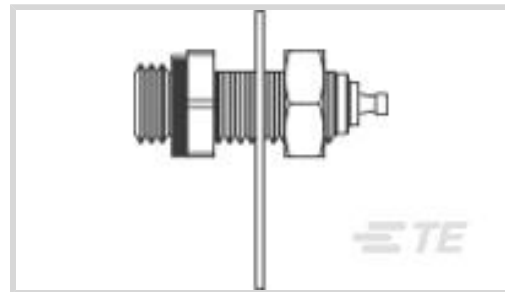
**Microdot**

TE Internal #: 1466288-1

SMB RF Interface, Receptacle, 50 ohm, Screw, 1 Position, Sealable,
Wire & Cable, Panel Mount, -55 – 125 °C [-67 – 257 °F], Solder Lug /
Turret Pin

[View on TE.com >](#)

Connectors > RF Connectors > Coax Connectors

RF Interface: **SMB**RF Connector Style: **Receptacle**RF Connector Mated Outer Diameter (Approximate): **4.75 mm [.187 in]**Impedance: **50 Ω**RF Connector Coupling Mechanism: **Screw****Features****Product Type Features**

RF Interface	SMB
RF Connector Style	Receptacle
Sealable	Yes
Connector & Contact Terminates To	Wire & Cable
Connector Seal & Plug Type	Gasket
Connector Shape	Circular
Connector Product Type	Connector Assembly

Dimensions

RF Connector Mated Outer Diameter (Approximate)	4.75 mm[.187 in]
Panel Thickness (Recommended)	4.06 mm[.16 in]

Electrical Characteristics

Impedance	50 Ω
-----------	------

Mechanical Attachment

RF Connector Coupling Mechanism	Screw
Connector Mounting Type	Panel Mount
RF Contact Captivation Method	Screw
Panel Mount Feature Type	Jam Nut

Configuration Features



Number of Positions	1
Number of Coaxial Contacts	1

Usage Conditions

Operating Temperature Range	-55 – 125 °C [-67 – 257 °F]
-----------------------------	-----------------------------

Termination Features

Termination Method to Wire & Cable	Turret Pin, Solder Lug
------------------------------------	------------------------

Body Features

Cable Connector Orientation	Straight
Body Material	Brass
Body Material Finish	Plated
Body Plating Material	Silver

Contact Features

RF Connector Center Contact Plating Material	Gold
RF Connector Center Contact Material	Beryllium Copper

Other

Dielectric Material	PTFE
EU RoHS Compliance	Compliant with Exemptions
EU ELV Compliance	Compliant with Exemptions
Grade	Commercial

Packaging Features

Packaging Method	Package
------------------	---------

Product Compliance

[For compliance documentation, visit the product page on TE.com>](#)

EU RoHS Directive 2011/65/EU	Compliant with Exemptions
EU ELV Directive 2000/53/EC	Compliant with Exemptions
China RoHS 2 Directive MIIT Order No 32, 2016	Restricted Materials Above Threshold
EU REACH Regulation (EC) No. 1907/2006	Current ECHA Candidate List: JUNE 2024 (241) Candidate List Declared Against: JUNE 2024 (241) SVHC > Threshold: Pb (3.7% in Component Part) <small>Article Safe Usage Statements:</small>



Do not eat, drink or smoke when using this product. Wash thoroughly after handling. Recycle if possible and dispose of the article by following all applicable governmental regulations relevant to your geographic location.

Halogen Content

Low Bromine/Chlorine - Br and Cl < 900 ppm per homogenous material. Also BFR /CFR/PVC Free

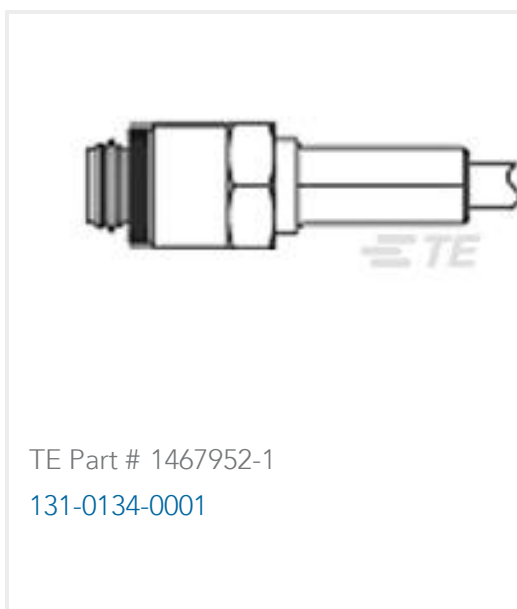
Solder Process Capability

Pin-in-Paste capable to 260°C

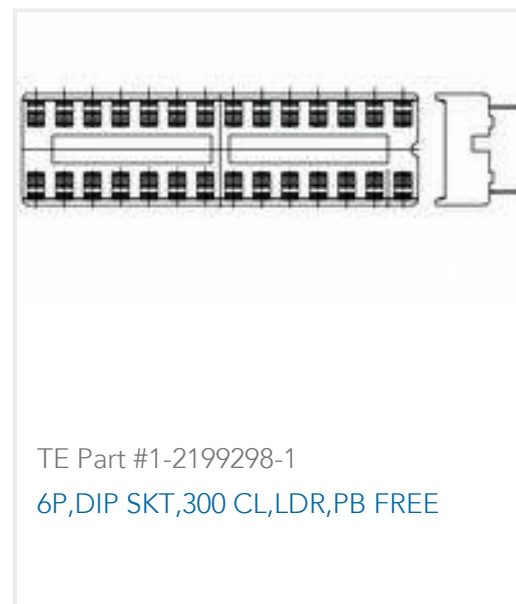
Product Compliance Disclaimer

This information is provided based on reasonable inquiry of our suppliers and represents our current actual knowledge based on the information they provided. This information is subject to change. The part numbers that TE has identified as EU RoHS compliant have a maximum concentration of 0.1% by weight in homogenous materials for lead, hexavalent chromium, mercury, PBB, PBDE, DBP, BBP, DEHP, DIBP, and 0.01% for cadmium, or qualify for an exemption to these limits as defined in the Annexes of Directive 2011/65/EU (RoHS2). Finished electrical and electronic equipment products will be CE marked as required by Directive 2011/65/EU. Components may not be CE marked. Additionally, the part numbers that TE has identified as EU ELV compliant have a maximum concentration of 0.1% by weight in homogenous materials for lead, hexavalent chromium, and mercury, and 0.01% for cadmium, or qualify for an exemption to these limits as defined in the Annexes of Directive 2000/53/EC (ELV). Regarding the REACH Regulation, the information TE provides on SVHC in articles for this part number is based on the latest European Chemicals Agency (ECHA) 'Guidance on requirements for substances in articles' posted at this URL: <https://echa.europa.eu/guidance-documents/guidance-on-reach>

Compatible Parts



Customers Also Bought





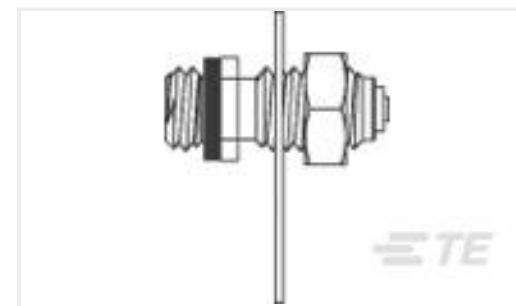
TE Part #3-1761603-3
IDC LOW PRO HDR 40P VERT BLUE



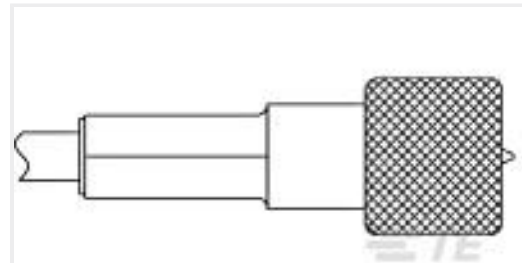
TE Part #2-1445098-2
MICRO MNL HDR ASSY S/ROW AU LF



TE Part #2-1419108-8
RTD14005F



TE Part #1466287-1
031-0003-0001



TE Part #1466328-1
132-0115-0002=PLUG,STR GC-50



TE Part #394897-E
SRCA 1,27 4 F 1 IDC22 137 E1 094 1,27 TR

Documents

Product Drawings

031-0050-0001

English

CAD Files

3D PDF

3D

Customer View Model

[ENG_CVM_CVM_1466288-1_R.2d_dxf.zip](#)

English

Customer View Model

[ENG_CVM_CVM_1466288-1_R.3d_igs.zip](#)

English

Customer View Model

[ENG_CVM_CVM_1466288-1_R.3d_stp.zip](#)

English

By downloading the CAD file I accept and agree to the [Terms and Conditions](#) of use.