

63195-1 ✓ ACTIVE

Positive Lock | Mark II, Positive Lock 187

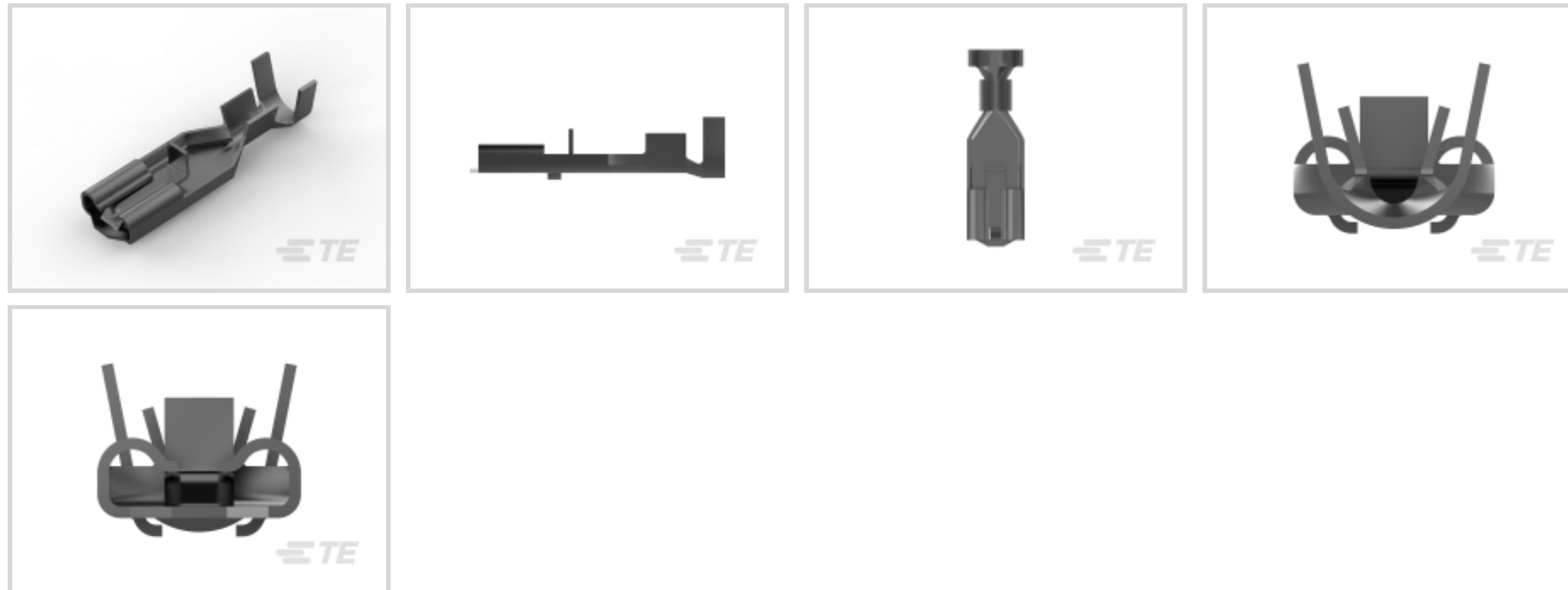
TE Internal #: 63195-1

Receptacle, 20 – 16 AWG Wire Size, .51 – 1.31 mm² Wire Size,
Mating Tab Width 4.75 mm [.187 in], Straight, Brass, Positive Lock
187, Quick Disconnects

[View on TE.com >](#)



Terminals & Splices > Quick Disconnects



Quick Disconnect Terminal Type: **Receptacle**

Wire Size: .51 – 1.31 mm²

Mating Tab Width: 4.75 mm [.187 in]

Mating Tab Thickness: .51 mm [.02 in]

Features

Contact Features

Quick Disconnect Terminal Type	Receptacle
Mating Tab Width	4.75 mm [.187 in]
Mating Tab Thickness	.51 mm [.02 in]
Terminal Orientation	Straight
Contact Base Material	Brass
Terminal Plating Material	Tin
Crimp Type	F-Crimp
Barrel Type	Open

Dimensions

Wire Size	.51 – 1.31 mm ²
Product Length	19.18 mm [.755 in]
Compatible Insulation Diameter Range	2.29 – 3.3 mm [.09 – .13 in]
Terminal Material Thickness	.3 mm [.012 in]

Packaging Features

Packaging Method	Strip/Reel
------------------	------------



Packaging Quantity	12000
--------------------	-------

Product Type Features

Insertion Force	Normal
-----------------	--------

Usage Conditions

Insulation Option	Uninsulated
-------------------	-------------

Operating Temperature Range	-40 – 110 °C[-40 – 230 °F]
-----------------------------	----------------------------

Other

EU RoHS Compliance	Compliant
--------------------	-----------

EU ELV Compliance	Compliant
-------------------	-----------

Configuration Features

Compatible With Wire & Cable Type	Discrete Wire
-----------------------------------	---------------

Termination Features

Product Terminates To	Wire & Cable
-----------------------	--------------

Mechanical Attachment

Wire Insulation Support	With
-------------------------	------

Mating Retention Type	Dimple
-----------------------	--------

Extraction Force	.7 – 10.2 kgf
------------------	---------------

Industry Standards

Compatible With Agency/Standards Products	UL
---	----

Product Compliance

[For compliance documentation, visit the product page on TE.com>](#)

EU RoHS Directive 2011/65/EU	Compliant
------------------------------	-----------

EU ELV Directive 2000/53/EC	Compliant
-----------------------------	-----------

China RoHS 2 Directive MIIT Order No 32, 2016	No Restricted Materials Above Threshold
---	---

EU REACH Regulation (EC) No. 1907/2006	Current ECHA Candidate List: JUNE 2024 (241) Candidate List Declared Against: JUNE 2024 (241) Does not contain REACH SVHC
--	---

Halogen Content	Low Halogen - Br, Cl, F, I < 900 ppm per homogenous material. Also BFR/CFR/PVC Free
-----------------	---

Solder Process Capability	Not applicable for solder process capability
---------------------------	--

Product Compliance Disclaimer

This information is provided based on reasonable inquiry of our suppliers and represents our current actual knowledge based on the information they provided. This information is subject to change. The part numbers that TE has identified as EU RoHS compliant have a maximum concentration of 0.1% by weight in homogenous materials for lead, hexavalent chromium, mercury, PBB, PBDE, DBP, BBP, DEHP, DIBP, and 0.01% for cadmium, or qualify for an exemption to these limits as defined in the Annexes of Directive 2011/65/EU (RoHS2). Finished electrical and electronic equipment products will be CE marked as required by Directive 2011/65/EU. Components may not be CE marked. Additionally, the part numbers that TE has identified as EU ELV compliant have a maximum concentration of 0.1% by weight in homogenous materials for lead, hexavalent chromium, and mercury, and 0.01% for cadmium, or qualify for an exemption to these limits as defined in the Annexes of Directive 2000/53/EC (ELV). Regarding the REACH Regulation, the information TE provides on SVHC in articles for this part number is based on the latest European Chemicals Agency (ECHA) 'Guidance on requirements for substances in articles' posted at this URL: <https://echa.europa.eu/guidance-documents/guidance-on-reach>

Compatible Parts



TE Part # 63784-1
RCPT POS/LK 187 0126PTPBR



TE Part # 2150186-1
OCEAN_2.0_Applicator-E-090F180F-REM

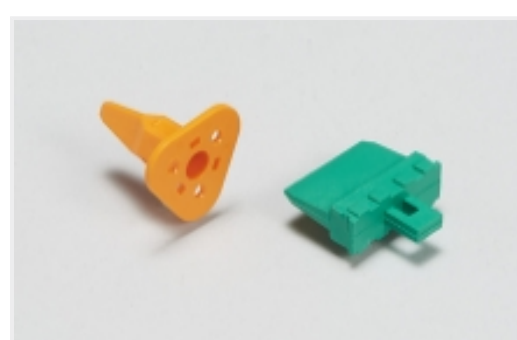


TE Part # 2150186-2
OCEAN_2.0_Applicator-E-090F180F-REA



TE Part # 7-2150186-7
OCEAN_2.0_SPARE_PART_KIT-090F180F

Also in the Series | Mark II



Automotive Connector Locks & Position Assurance(1)



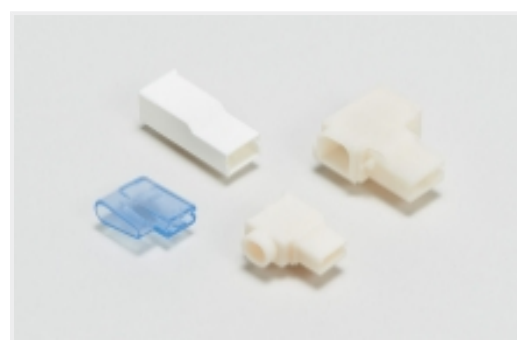
Automotive Housings(6)



Automotive Terminals(5)



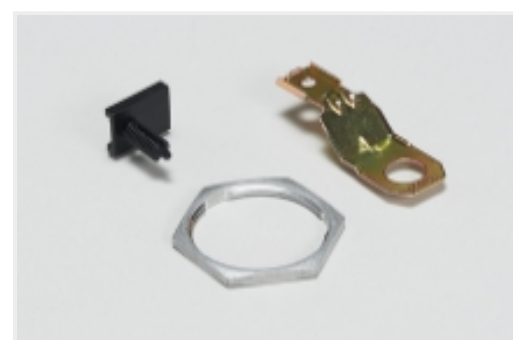
Connector Seals & Cavity Plugs(1)



Crimp Terminal Housings(76)



Insertion & Extraction Tools(2)

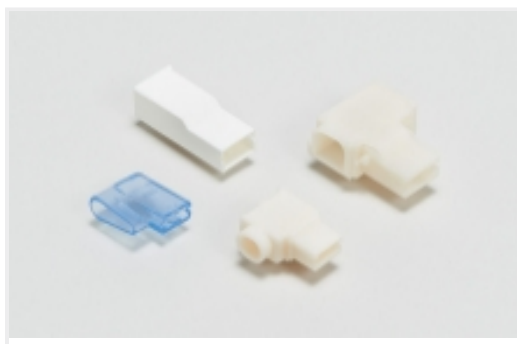


Other Automotive Connector Accessories(1)

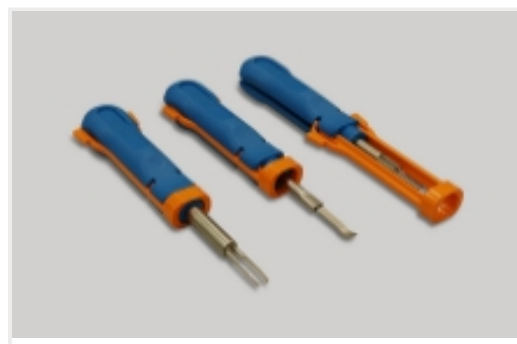


Quick Disconnects(57)

Also in the Series | Positive Lock 187



Crimp Terminal Housings(86)



Insertion & Extraction Tools(2)

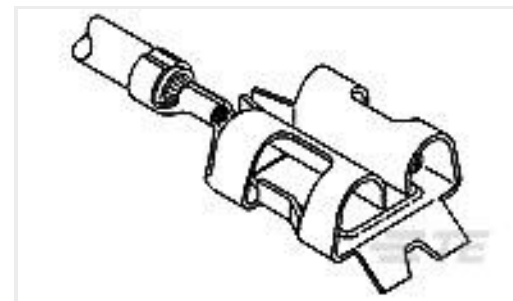
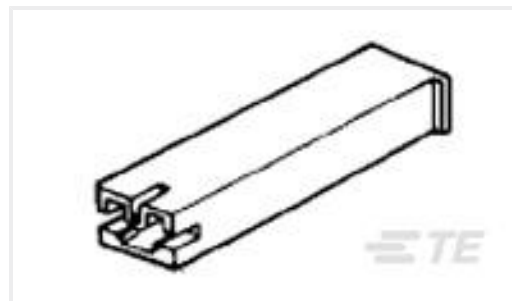
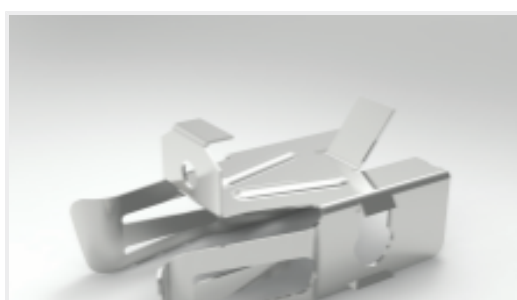
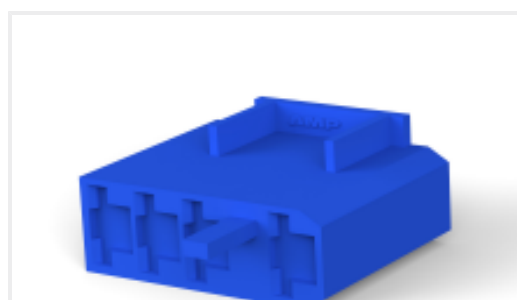


Insulation Boots & Sleeves(7)



Quick Disconnects(57)

Customers Also Bought

TE Part #1969726-1
2P HEAVY DUTY BURNER HSGTE Part #1742975-1
110 PL REC. 22-18AWG TPBRTE Part #63482-1
RING 18-14 AWG TPSTLTE Part #640748-7
HEAVY DUTY BURNER REC 18-14
AWG PHBRZTE Part #63306-1
250 FASTON REC 18-14 AWG BRTE Part #W3P-P004
WEDGE LOCKTE Part #1-173974-1
PL 187 HOUSING RECEPTACLE
NATURALTE Part #1-1703082-1
3POS MT - EDGE HOUSINGTE Part #1969755-1
CLIP, HEAVY DUTY BURNER
CONNECTORTE Part #2-521498-7
250 FASTON HSG.,REC.,4 POS,BLUE

Documents

Product Drawings

[PL 187 RECEPTACLE 20-16 AWG TPBR](#)

English

CAD Files

[Customer View Model](#)

[ENG_CVM_CVM_63195-1_AG.2d_dxf.zip](#)

English

[3D PDF](#)



3D

Customer View Model

[ENG_CVM_CVM_63195-1_AG.3d_igs.zip](#)

English

Customer View Model

[ENG_CVM_CVM_63195-1_AG.3d_stp.zip](#)

English

By downloading the CAD file I accept and agree to the [Terms and Conditions](#) of use.

Datasheets & Catalog Pages

[Positive Lock Receptacles](#)

English

Product Specifications

[Application Specification](#)

English