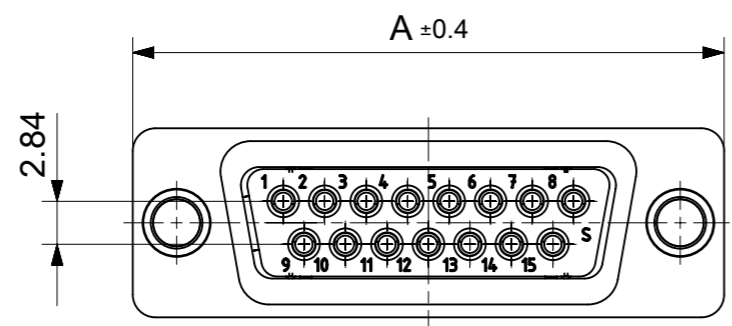
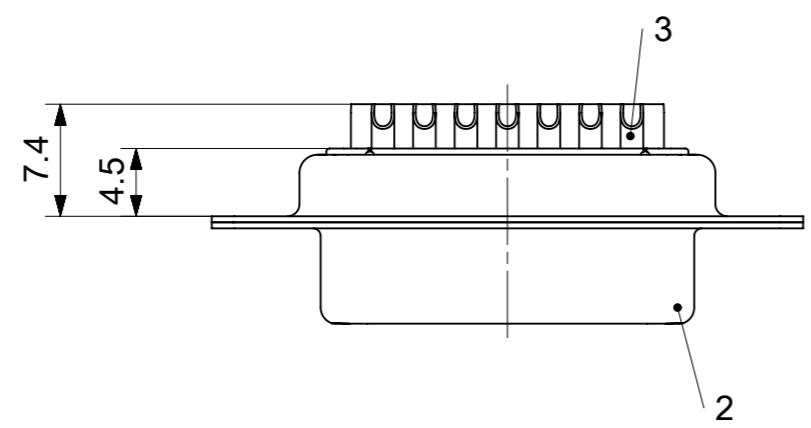
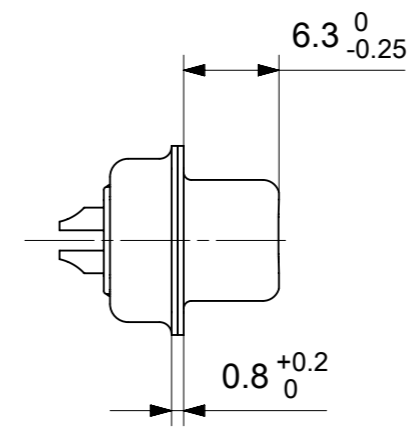
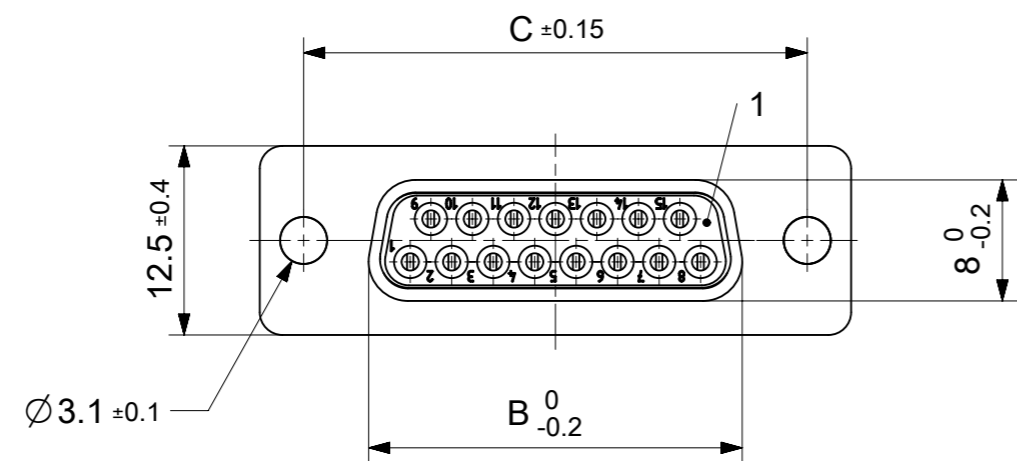


RoHS compliant  
by exemption



FCT Part number:

Fxx\*1)S0y\*2)

e.g. F15S0G1

\*1) xx No. of contacts 09, 15, 25 or 37

\*2) y for performance classes 1, 2 or 3

(contact cycle for G1/G2/G3 = 500/200/50)

Material Number	xx*1)	y*2)	A[mm]	B[mm]	C[mm]
1727040078	09	G1	30.8	16.4	25
1727040163		G2			
1731090069	15	G1	39.1	24.7	33.3
1727040168		G2			
1727040070	25	G1	53	38.5	47.04
1727040172		G2			
1731090071	37	G1	69.3	54.9	63.5
1731090083		G2			

3	xx	Signal contact	S0 / Brass	G1 / G2 / AWG 20
2	1	Shell	Steel	tin plated
1	1	Insulator	PBT (-55°C to +125°C) acc. UL94V-0	white
No.	Pc.	Part	Type Description/Material	Surface plating/ Color/Class

MEASUREMENTS WITHOUT TOLERANCE ACC TO ISO 2768-m

REPLACEMENT FOR DOCUMENT NUMBER: FxxS0Gy

FUNCTIONAL SYMBOLS: THIS DRAWING CONTAINS INFORMATION THAT IS PROPRIETARY TO MOLEX ELECTRONIC TECHNOLOGIES, LLC AND SHOULD NOT BE USED WITHOUT WRITTEN PERMISSION

SCALE: 2:1

GENERAL TOLERANCES (UNLESS SPECIFIED):

ANGULAR TOL ± °

4 PLACES ±

3 PLACES ±

2 PLACES ±

1 PLACE ±

0 PLACES ±

DRAFT WHERE APPLICABLE MUST REMAIN WITHIN DIMENSIONS

FIRST ANGLE PROJECTION

DRAWING: A3-SIZE

SERIES: 172704

MATERIAL NUMBER: SEE TABLE

CUSTOMER: GENERAL MARKET

SHEET NUMBER: 1 OF 1

EC NO: 712973

DRWN: SKANDB 2022/01/21

CHK'D: MTEUBEL 2022/07/12

APPR: MTEUBEL 2022/07/12

INITIAL REVISION:

DRWN: SKANDB 2022/01/21

APPR: MTEUBEL 2022/07/12

DOCUMENT NUMBER: 1727040078

DOC TYPE: PSD

DOC PART: 000

REVISION: A

**molex**

FCT D-SUB MINIATURE CONNECTOR

PRODUCT CUSTOMER DRAWING