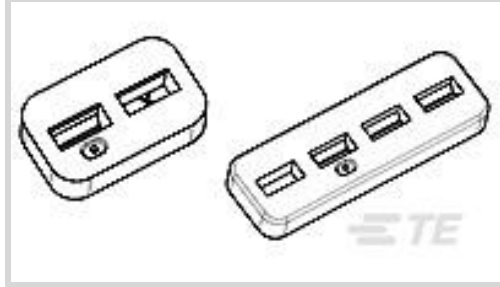




Connectors > Connector Accessories > Connector Seals & Cavity Plugs



Connector Seal & Plug Type: **Facial Seal**

Primary Product Material: **Silicone**

Primary Product Color: **Natural**

Contains Lubricant: **No**

EU RoHS Compliance: **Compliant**

Features

Product Type Features

Connector Seal & Plug Type	Facial Seal
----------------------------	-------------

Body Features

Primary Product Material	Silicone
Primary Product Color	Natural

Other

Contains Lubricant	No
EU RoHS Compliance	Compliant
EU ELV Compliance	Compliant

Packaging Features

Packaging Method	Bag
Packaging Quantity	10000

Product Compliance

[For compliance documentation, visit the product page on TE.com>](#)

EU RoHS Directive 2011/65/EU	Compliant
EU ELV Directive 2000/53/EC	Compliant
China RoHS 2 Directive MIIT Order No 32, 2016	No Restricted Materials Above Threshold
EU REACH Regulation (EC) No. 1907/2006	Current ECHA Candidate List: JUNE 2024 (241)

Candidate List Declared Against: JUNE 2024 (241)
Does not contain REACH SVHC

Halogen Content

Low Halogen - Br, Cl, F, I < 900 ppm per homogenous material. Also BFR/CFR/PVC Free

Solder Process Capability

Not applicable for solder process capability

Product Compliance Disclaimer

This information is provided based on reasonable inquiry of our suppliers and represents our current actual knowledge based on the information they provided. This information is subject to change. The part numbers that TE has identified as EU RoHS compliant have a maximum concentration of 0.1% by weight in homogenous materials for lead, hexavalent chromium, mercury, PBB, PBDE, DBP, BBP, DEHP, DIBP, and 0.01% for cadmium, or qualify for an exemption to these limits as defined in the Annexes of Directive 2011/65/EU (RoHS2). Finished electrical and electronic equipment products will be CE marked as required by Directive 2011/65/EU. Components may not be CE marked. Additionally, the part numbers that TE has identified as EU ELV compliant have a maximum concentration of 0.1% by weight in homogenous materials for lead, hexavalent chromium, and mercury, and 0.01% for cadmium, or qualify for an exemption to these limits as defined in the Annexes of Directive 2000/53/EC (ELV). Regarding the REACH Regulation, the information TE provides on SVHC in articles for this part number is based on the latest European Chemicals Agency (ECHA) 'Guidance on requirements for substances in articles' posted at this URL: <https://echa.europa.eu/guidance-documents/guidance-on-reach>

Compatible Parts



TE Part # CAT-T4827-CH8172
Timer Connector Housing

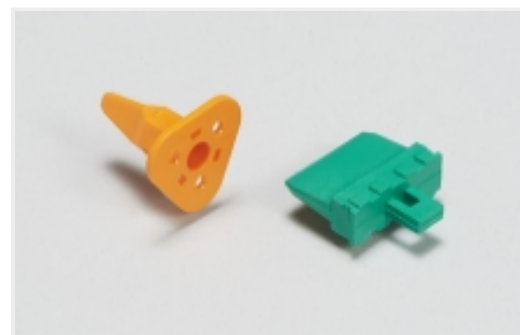


TE Part # 4-962340-1
4P FLACHSTCK GEH2,8

Also in the Series | Junior Power Timer



Automotive Connector Caps & Covers (9)



Automotive Connector Locks & Position Assurance(8)



Automotive Housings(306)



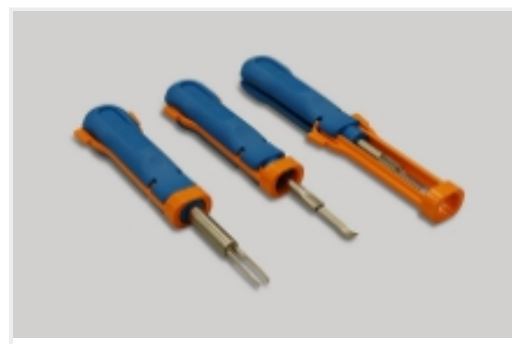
Automotive Terminals(153)



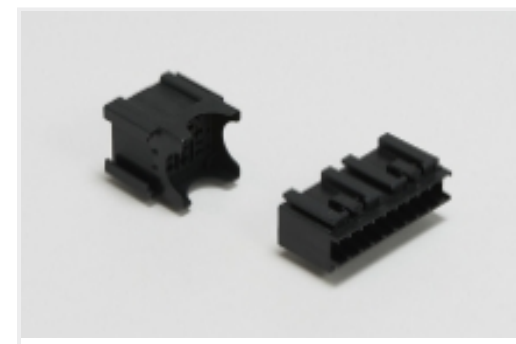
Busbars & Terminals(1)



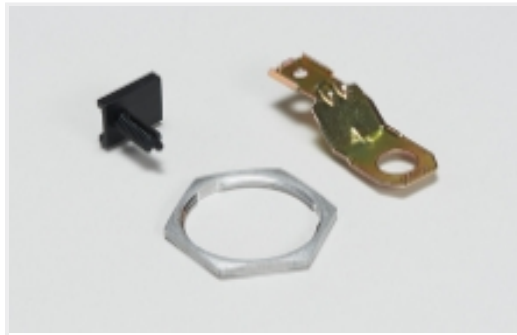
Connector Seals & Cavity Plugs(8)



Insertion & Extraction Tools(8)



Module Components(1)



Other Automotive Connector Accessories(2)

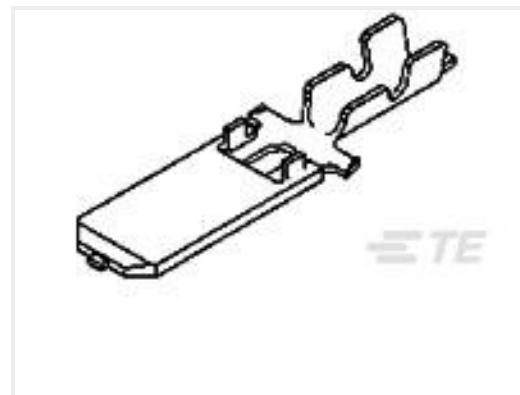


Special Purpose Terminals(2)

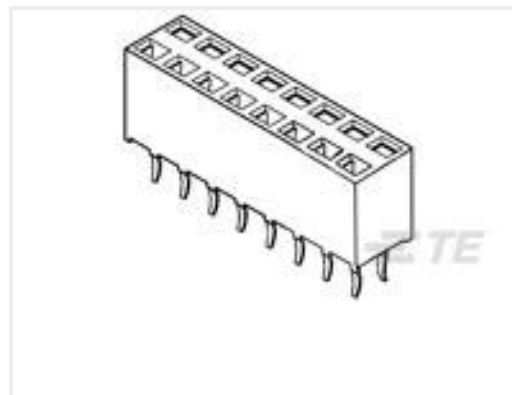
Customers Also Bought



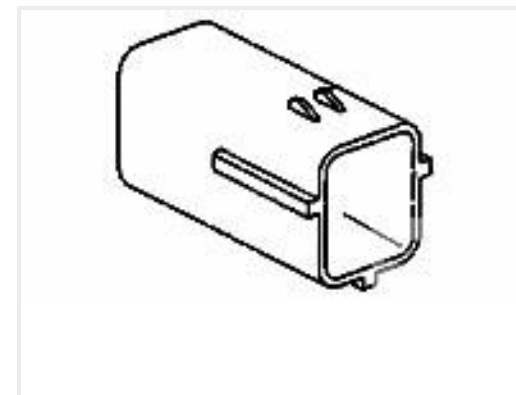
TE Part #2-965261-1
Timer Connector Housing



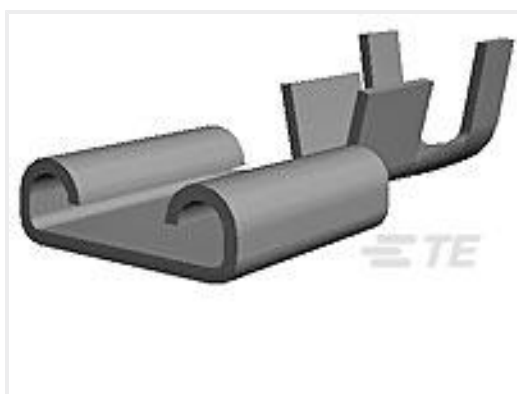
TE Part #170340-1
FF 250 TAB 20-14AWG BR WITHOUT LATCH



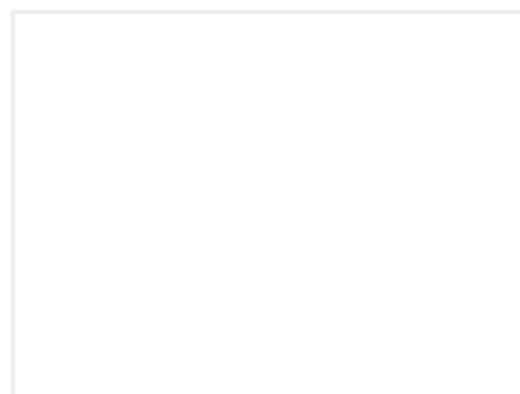
TE Part #215309-7
2X7P HV100 REC CON. TE, 8.5MM



TE Part #174264-2
ECONO-J MK-2 CAP HSG 6P



TE Part #160808-2
250 FASTON,REC.,17-14 AWG,BR



TE Part #87502-000
PM102 PROXIMITY DEVICE



TE Part #1108719-1
EMV-K.6/16.STO1.13G

Documents

Product Drawings

[DICHTUNG F4P JPT GH](#)

English

CAD Files

[Customer View Model](#)

[ENG_CVM_963208-1_D.3d_igs.zip](#)

English

[Customer View Model](#)



[ENG_CVM_963208-1_D.3d_stp.zip](#)

English

Customer View Model

[ENG_CVM_963208-1_D.2d_dxf.zip](#)

English

3D PDF

English

By downloading the CAD file I accept and agree to the [Terms and Conditions](#) of use.

Product Specifications

Application Specification

English