

2-1971032-5 ✓ ACTIVE

## GRACE INERTIA 2.0

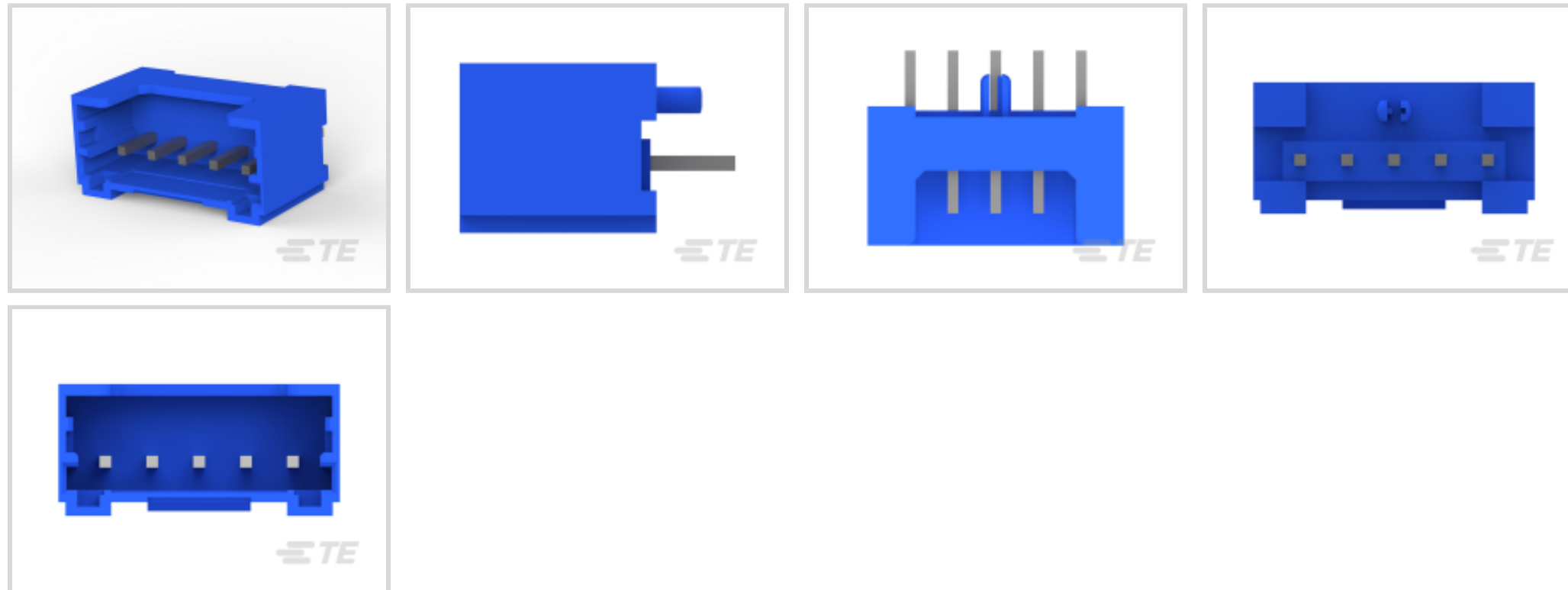
TE Internal #: 2-1971032-5

PCB Mount Header, Vertical, Wire-to-Board, 5 Position, 2 mm [.079 in] Centerline, Fully Shrouded, Tin, Through Hole - Solder, GRACE INERTIA 2.0

[View on TE.com >](#)



Connectors > PCB Connectors > PCB Headers & Receptacles



EU RoHS Compliance: **Compliant**

EU ELV Compliance: **Compliant**

PCB Connector Assembly Type: **PCB Mount Header**

PCB Mount Orientation: **Vertical**

Connector System: **Wire-to-Board**

### Features

#### Other

|                    |           |
|--------------------|-----------|
| EU RoHS Compliance | Compliant |
| EU ELV Compliance  | Compliant |

#### Product Type Features

|                                   |                       |
|-----------------------------------|-----------------------|
| PCB Connector Assembly Type       | PCB Mount Header      |
| Connector System                  | Wire-to-Board         |
| Header Type                       | Fully Shrouded        |
| Sealable                          | No                    |
| Connector & Contact Terminates To | Printed Circuit Board |

#### Configuration Features

|                       |          |
|-----------------------|----------|
| PCB Mount Orientation | Vertical |
| Number of Positions   | 5        |
| Number of Rows        | 1        |

#### Electrical Characteristics

|                   |        |
|-------------------|--------|
| Operating Voltage | 50 VAC |
|-------------------|--------|



### Body Features

|                       |      |
|-----------------------|------|
| Primary Product Color | Blue |
|-----------------------|------|

### Contact Features

|   |                 |
|---|-----------------|
| Contact Underplating Material                           | Nickel          |
| Contact Underplating Material Thickness                 | 1 µm[39.37 µin] |
| PCB Contact Termination Area Plating Material Finish    | Bright          |
| Contact Mating Area Plating Material Thickness          | 2 µm[78.74 µin] |
| Mating Square Post Dimension                            | .5 mm[.02 in]   |
| PCB Contact Termination Area Plating Material Thickness | 2 µm[78.73 µin] |
| Contact Layout  | Inline          |
| Contact Base Material                                   | Brass           |
| PCB Contact Termination Area Plating Material           | Tin             |
| Contact Mating Area Plating Material Finish             | Bright          |
| Contact Mating Area Plating Material                    | Tin             |
| Contact Type  | Tab             |
| Contact Current Rating (Max)                            | 2.2 A           |

### Termination Features

|  |                       |
|--|-----------------------|
| Termination Post & Tail Length           | 2.6 mm[.102 in]       |
| Square Termination Post & Tail Dimension | .5 mm[.02 in]         |
| Termination Method to PCB                | Through Hole - Solder |

### Mechanical Attachment

|                          |                |
|--------------------------|----------------|
| Mating Retention         | With           |
| Mating Alignment Type    | Keyed          |
| PCB Mount Alignment Type | Locating Posts |
| PCB Mount Retention      | Without        |
| PCB Mount Alignment      | With           |
| Connector Mounting Type  | Board Mount    |
| Mating Alignment         | With           |

### Housing Features

|                    |               |
|--------------------|---------------|
| Housing Material   | Nylon 66 GF   |
| Centerline (Pitch) | 2 mm[.079 in] |

### Dimensions



|                             |                 |
|-----------------------------|-----------------|
| Connector Width             | 5.6 mm[.22 in]  |
| PCB Thickness (Recommended) | 1.6 mm[.063 in] |
| Connector Height            | 6.5 mm[.255 in] |
| Connector Length            | 12 mm[.472 in]  |

### Usage Conditions

|                             |                            |
|-----------------------------|----------------------------|
| Operating Temperature Range | -40 – 105 °C[-40 – 221 °F] |
|-----------------------------|----------------------------|

### Operation/Application

|                     |        |
|---------------------|--------|
| Circuit Application | Signal |
|---------------------|--------|

### Industry Standards

|                        |          |
|------------------------|----------|
| UL Flammability Rating | UL 94V-0 |
|------------------------|----------|

### Packaging Features

|                    |         |
|--------------------|---------|
| Packaging Quantity | 300     |
| Packaging Method   | Package |

### Product Compliance

[For compliance documentation, visit the product page on TE.com>](#)

|   |   |
|---|---|
| EU RoHS Directive 2011/65/EU                  | Compliant   |
| EU ELV Directive 2000/53/EC                   | Compliant   |
| China RoHS 2 Directive MIIT Order No 32, 2016 | No Restricted Materials Above Threshold   |
| EU REACH Regulation (EC) No. 1907/2006        | Current ECHA Candidate List: JUNE 2024 (241)<br>Candidate List Declared Against: JUNE 2024 (241)<br>Does not contain REACH SVHC |
| Halogen Content                               | Not Low Halogen - contains Br or Cl > 900 ppm.  |
| Solder Process Capability                     | Wave solder capable to 260°C  |

#### Product Compliance Disclaimer

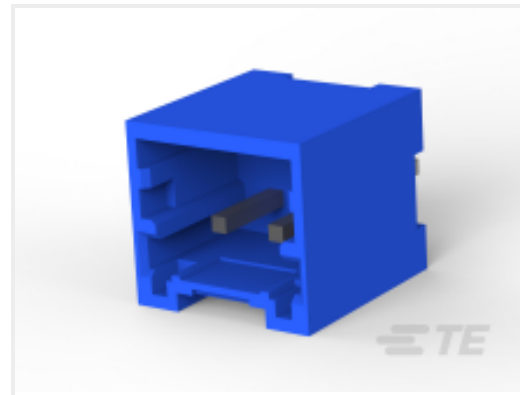
This information is provided based on reasonable inquiry of our suppliers and represents our current actual knowledge based on the information they provided. This information is subject to change. The part numbers that TE has identified as EU RoHS compliant have a maximum concentration of 0.1% by weight in homogenous materials for lead, hexavalent chromium, mercury, PBB, PBDE, DBP, BBP, DEHP, DIBP, and 0.01% for cadmium, or qualify for an exemption to these limits as defined in the Annexes of Directive 2011/65/EU (RoHS2). Finished electrical and electronic equipment products will be CE marked as required by Directive 2011/65/EU. Components may not be CE marked. Additionally, the part numbers that TE has identified as EU ELV compliant have a maximum concentration of 0.1% by weight in homogenous materials for lead, hexavalent chromium, and mercury, and 0.01% for cadmium, or qualify for an exemption to these limits as defined in the Annexes of Directive 2000/53/EC (ELV). Regarding the REACH Regulation, the information TE provides

on SVHC in articles for this part number is based on the latest European Chemicals Agency (ECHA) 'Guidance on requirements for substances in articles' posted at this URL: <https://echa.europa.eu/guidance-documents/guidance-on-reach>

## Compatible Parts



TE Part # 1971032-5  
5P HEADER ASSEMBLY FOR GIC 2.0 EV



TE Part # 2-1971032-2  
2POS HEADER ASSEMBLY FOR GIC 2.0 EV



TE Part # 1971032-6  
6POS HEADER ASSEMBLY FOR GIC 2.0 EV



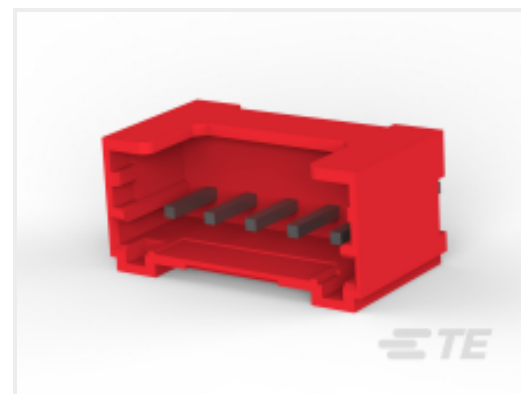
TE Part # 1-1971032-4  
4POS HEADER ASSEMBLY FOR GIC 2.0 EV



TE Part # 2-1971032-3  
3POS HEADER ASSEMBLY FOR GIC 2.0 EV



TE Part # 3-1971032-5  
5POS HEADER ASSEMBLY FOR GIC 2.0 EV



TE Part # 1-1971032-5  
5POS HEADER ASSEMBLY FOR GIC 2.0 EV



TE Part # 2-1971032-4  
4POS HEADER ASSEMBLY FOR GIC 2.0 EV



TE Part # 2-1971032-6  
6POS HEADER ASSEMBLY FOR GIC 2.0 EV

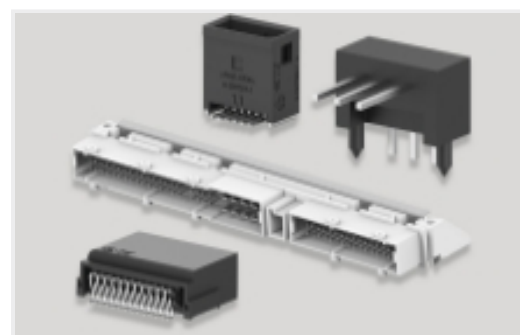


TE Part # 2-1971032-8  
8POS HEADER ASSEMBLY FOR GIC 2.0 EV

## Also in the Series | GRACE INERTIA 2.0



Connector Contacts(4)



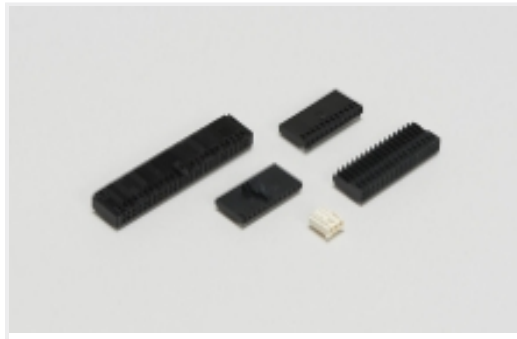
PCB Headers & Receptacles(70)



Rectangular Connector Housings(20)



Standard Rectangular Connectors(18)



Wire-to-Board Connector Assemblies & Housings(1)

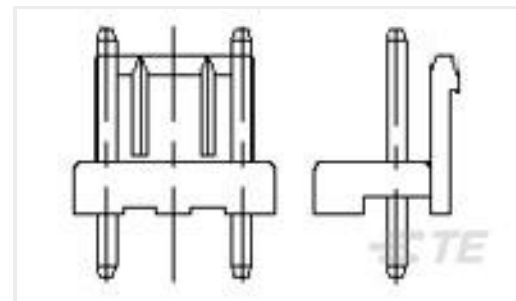
## Customers Also Bought



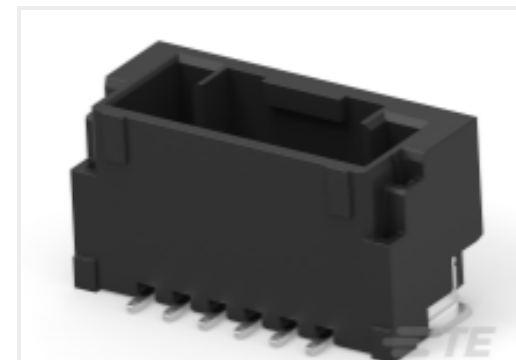
TE Part #292207-7  
MINI CT SGL DIP V 7P NAT



TE Part #1-2367943-2  
G12.0EV VT SMT Poting HDR, RED, Key B, 2P



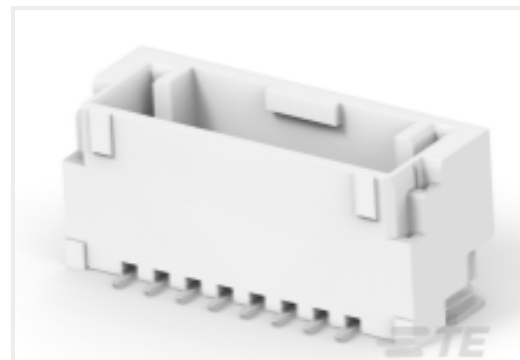
TE Part #1744103-1  
3.96 EPHDR ASSY 3P OMIT #2 PIN



TE Part #2-2360540-6  
SGI 1.25 HDR, 6P, VT, Key B, Black



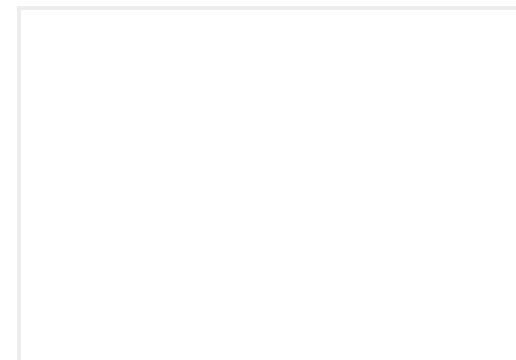
TE Part #2-2456589-2  
Header Assy, 22pos, VT, KeyA, SGI 1.25



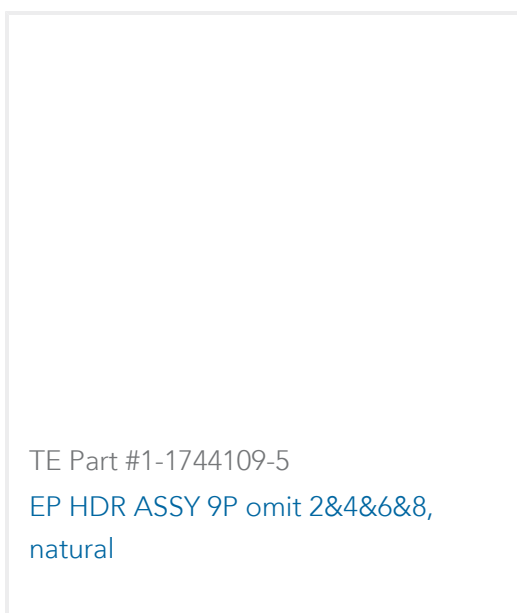
TE Part #2360540-8  
SGI 1.25 HDR, 8P, VT, Key A, Natural



TE Part #2367943-5  
G12.0EV VT SMT Poting HDR, NTL, Key A, 5P



TE Part #2-1744103-1  
EP HDR ASSY 3P omit 2, yellow A, 5P



TE Part #1-1744109-5  
EP HDR ASSY 9P omit 2&4&6&8, natural

## Documents

### Product Drawings

[5POS HEADER ASSEMBLY FOR GIC 2.0 EV](#)

English

### CAD Files

[3D PDF](#)

3D

### Customer View Model

[ENG\\_CVM\\_CVM\\_2-1971032-5\\_D.2d\\_dxf.zip](#)



English

**Customer View Model**

[ENG\\_CVM\\_CVM\\_2-1971032-5\\_D.3d\\_igs.zip](#)

English

**Customer View Model**

[ENG\\_CVM\\_CVM\\_2-1971032-5\\_D.3d\\_stp.zip](#)

English

By downloading the CAD file I accept and agree to the [Terms and Conditions](#) of use.

**Product Specifications**

[Application Specification](#)

English