

4-521097-2 ✓ ACTIVE

Ultra-Fast | Ultra-Fast 250

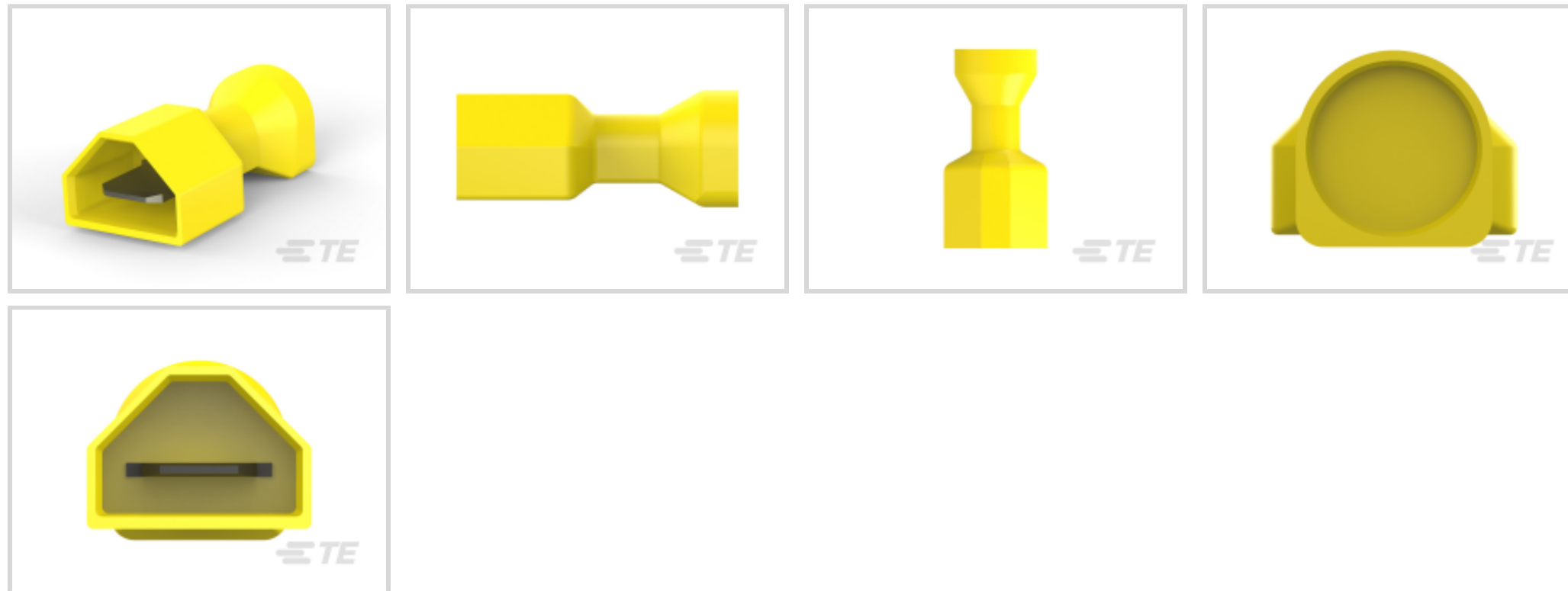
TE Internal #: 4-521097-2

Tab, 12 – 10 AWG Wire Size, 3.31 – 5.26 mm<sup>2</sup> Wire Size, 6529 – 10382 CMA Wire Size, Ultra-Fast 250, Quick Disconnects

[View on TE.com >](#)



Terminals & Splices > Quick Disconnects



Quick Disconnect Terminal Type: **Tab**

Wire Size: **6529 – 10382 CMA**

Mating Tab Width: **6.35 mm [ .25 in ]**

## Features

### Contact Features

Quick Disconnect Terminal Type	Tab
Mating Tab Width	6.35 mm[.25 in]
Mating Tab Thickness	.81 mm[.032 in]
Terminal Orientation	Straight
Contact Base Material	Brass
Terminal Plating Material	Tin
Crimp Type	F-Crimp
Barrel Type	Closed

### Dimensions

Wire Size	6529 – 10382 CMA
Product Length	23.75 mm[.935 in]
Compatible Insulation Diameter Range	8.13 mm[.32 in]
Terminal Material Thickness	.41 mm[.016 in]

### Packaging Features

Packaging Method	Strip/Reel
Packaging Quantity	1000

### Product Type Features

Insertion Force	Normal
-----------------	--------

### Usage Conditions

Insulation Option	Fully Insulated
Operating Temperature Range	-40 – 110 °C[-40 – 230 °F]

### Other

EU RoHS Compliance	Compliant
EU ELV Compliance	Compliant
Barrel Color	Yellow

### Configuration Features

Compatible With Wire & Cable Type	Discrete Wire
Connection Capacity	Single

### Electrical Characteristics

Voltage Rating	600 V
----------------	-------

### Body Features

Insulation Material	Nylon
---------------------	-------

### Termination Features

Product Terminates To	Wire & Cable
-----------------------	--------------

### Mechanical Attachment

Wire Insulation Support	With
Mating Retention Type	Dimple

### Industry Standards

Compatible With Agency/Standards Products	UL
UL Flammability Rating	UL 94V-2

### Product Compliance

[For compliance documentation, visit the product page on TE.com>](#)

EU RoHS Directive 2011/65/EU	Compliant
EU ELV Directive 2000/53/EC	Compliant
China RoHS 2 Directive MIIT Order No 32, 2016	No Restricted Materials Above Threshold
EU REACH Regulation (EC) No. 1907/2006	Current ECHA Candidate List: JUNE 2024 (241)



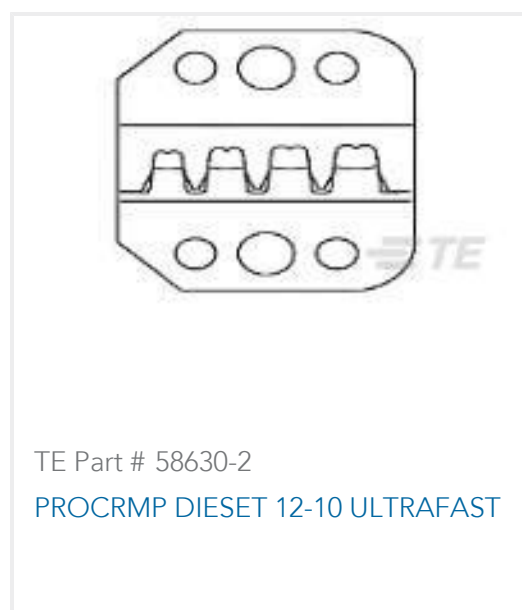
Candidate List Declared Against: JUNE 2024 (241)  
Does not contain REACH SVHC

Halogen Content	Low Halogen - Br, Cl, F, I < 900 ppm per homogenous material. Also BFR/CFR/PVC Free
Solder Process Capability	Not applicable for solder process capability

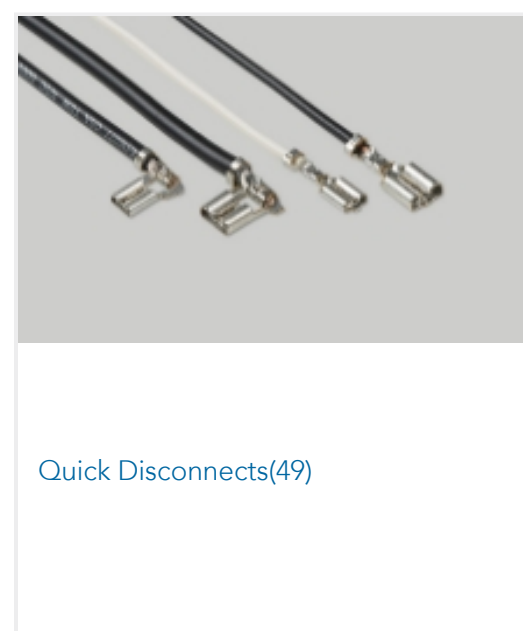
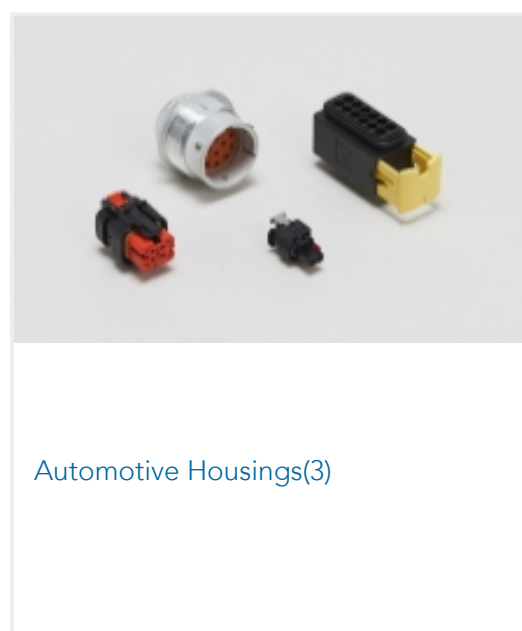
Product Compliance Disclaimer

This information is provided based on reasonable inquiry of our suppliers and represents our current actual knowledge based on the information they provided. This information is subject to change. The part numbers that TE has identified as EU RoHS compliant have a maximum concentration of 0.1% by weight in homogenous materials for lead, hexavalent chromium, mercury, PBB, PBDE, DBP, BBP, DEHP, DIBP, and 0.01% for cadmium, or qualify for an exemption to these limits as defined in the Annexes of Directive 2011/65/EU (RoHS2). Finished electrical and electronic equipment products will be CE marked as required by Directive 2011/65/EU. Components may not be CE marked. Additionally, the part numbers that TE has identified as EU ELV compliant have a maximum concentration of 0.1% by weight in homogenous materials for lead, hexavalent chromium, and mercury, and 0.01% for cadmium, or qualify for an exemption to these limits as defined in the Annexes of Directive 2000/53/EC (ELV). Regarding the REACH Regulation, the information TE provides on SVHC in articles for this part number is based on the latest European Chemicals Agency (ECHA) 'Guidance on requirements for substances in articles' posted at this URL: <https://echa.europa.eu/guidance-documents/guidance-on-reach>

### Compatible Parts



### Also in the Series | Ultra-Fast 250



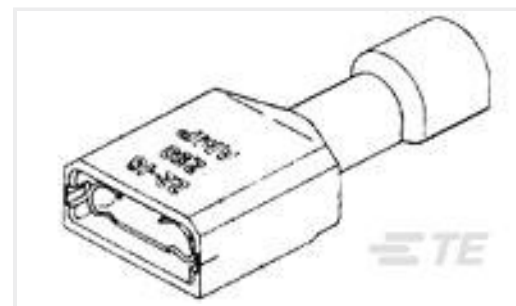
### Customers Also Bought



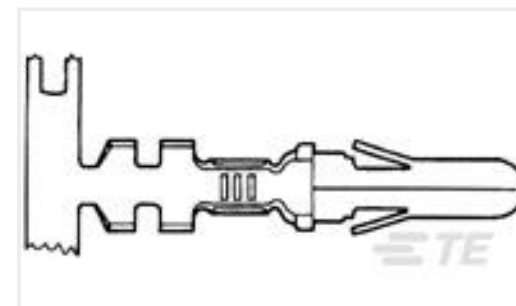
TE Part #521367-2  
ULTRA-POD 250 ASSY REC 18-14  
AWG TPBR



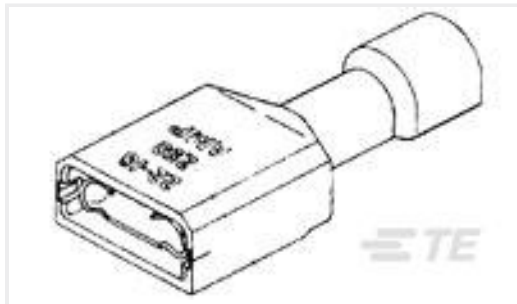
TE Part #1-320627-0  
N PIDG RING 16-14 HD 8



TE Part #4-520447-2  
ULTRA-FAST 250 ASSY REC 12-10 AWG  
TPBR



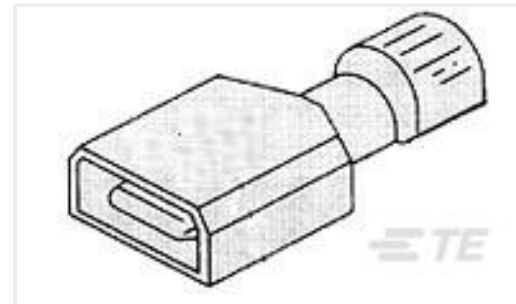
TE Part #350201-1  
.140 DIA PIN 14-10 PTPBR



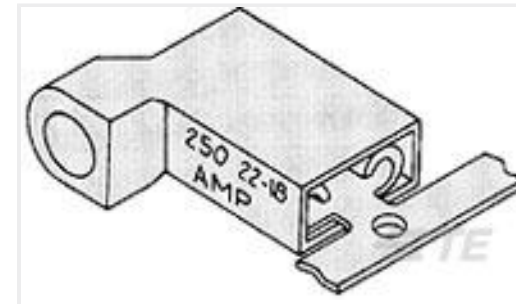
TE Part #3-350819-2  
ULTRA-FAST 250 ASSY REC 16-14 AWG  
TPBR



TE Part #61299-1  
SPLICE 7000-12500 .031 TPST



TE Part #2-520102-2  
ULTRA-FAST 250 ASSEMBLY TAB 22-  
18 AWG BR



TE Part #3-520132-2  
ULTRAFast 250 ASSY FLAG REC 16-  
14 TPBR



TE Part #520197P061  
RT-3-NO.2-0-1.5IN



TE Part #521586-2  
ULTRA-POD 187 ASSY REC 18-16  
AWG TPBR

## Documents

### Product Drawings

[ULTRA-FAST 250 ASY TAB 12-10 AWG TPBR](#)

English

### CAD Files

[3D PDF](#)

3D

Customer View Model

[ENG\\_CVM\\_CVM\\_4-521097-2\\_B.2d\\_dxf.zip](#)

English

Customer View Model

[ENG\\_CVM\\_CVM\\_4-521097-2\\_B.3d\\_igs.zip](#)

English

Customer View Model

[ENG\\_CVM\\_CVM\\_4-521097-2\\_B.3d\\_stp.zip](#)

English

By downloading the CAD file I accept and agree to the [Terms and Conditions](#) of use.

### Datasheets & Catalog Pages



## Ultra-Fast and Ultra Fast Plus

English

---

## Product Specifications

### Application Specification

English

---

## Agency Approvals

### UL

English