



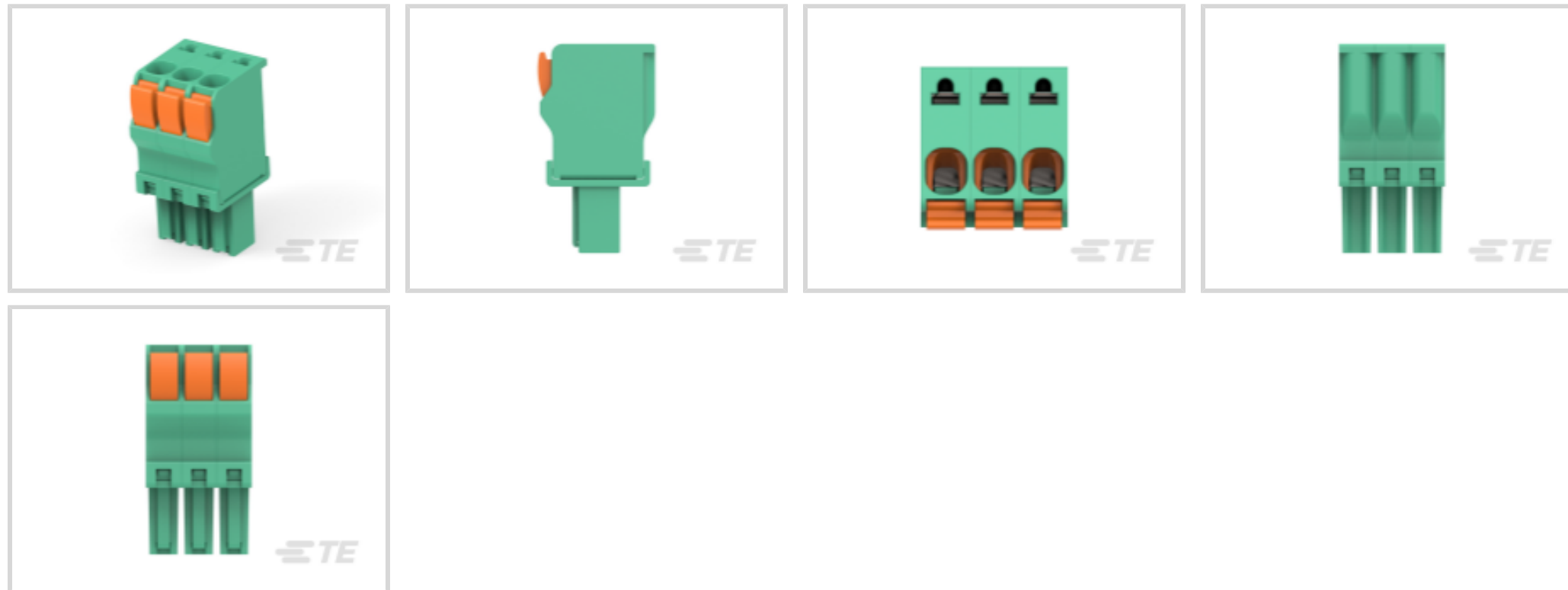
Buchanan

TE Internal #: 1986692-3

Plug, Wire-to-Board, 3 Position, 3.5 mm [.138 in] Centerline, 1 Row, 180° Wire Entry Angle, 30 – 14 AWG Wire Size, PCB Terminal Blocks

[View on TE.com >](#)

Connectors > Terminal Blocks & Strips > PCB Terminal Blocks



EU RoHS Compliance: **Compliant**

EU ELV Compliance: **Compliant**

Terminal Block Connector Type: **Plug**

Connector System: **Wire-to-Board**

Number of Positions: **3**

Features

Other

| | |
|--------------------|-----------|
| EU RoHS Compliance | Compliant |
| EU ELV Compliance | Compliant |

Product Type Features

| | |
|-----------------------------------|---------------|
| Wire Protection | With |
| Terminal Block Connector Type | Plug |
| Connector System | Wire-to-Board |
| Connector & Contact Terminates To | Wire & Cable |

Configuration Features

| | |
|------------------------|----------------|
| Wire Entry Location | Top |
| Stacking Configuration | Side Stackable |
| Number of Positions | 3 |
| Number of Rows | 1 |
| Wire Entry Angle | 180° |

Electrical Characteristics

| | |
|--|--|
| | |
|--|--|



| | |
|-------------------|---------|
| Operating Voltage | 300 VAC |
|-------------------|---------|

Body Features

| | |
|-----------------------|-------|
| Primary Product Color | Green |
|-----------------------|-------|

| | |
|---------------------|----------|
| Product Orientation | Vertical |
|---------------------|----------|

| | |
|-------------|--------|
| Lever Color | Orange |
|-------------|--------|

Contact Features

| | |
|--------------------------------------|-----|
| Contact Mating Area Plating Material | Tin |
|--------------------------------------|-----|

| | |
|-----------------------|--------------|
| Contact Base Material | Copper Alloy |
|-----------------------|--------------|

| | |
|------------------------------|------|
| Contact Current Rating (Max) | 11 A |
|------------------------------|------|

Termination Features

| | |
|------------------------------------|--------------------------|
| Termination Method to Wire & Cable | Spring Terminal, Push-in |
|------------------------------------|--------------------------|

Housing Features

| | |
|------------------|-------|
| Housing Material | PA 66 |
|------------------|-------|

| | |
|--------------------|------------------|
| Centerline (Pitch) | 3.5 mm [.138 in] |
|--------------------|------------------|

Dimensions

| | |
|-----------|-------------|
| Wire Size | 30 – 14 AWG |
|-----------|-------------|

Usage Conditions

| | |
|-----------------------------|----------------------------|
| Operating Temperature Range | -40 – 65 °C [-40 – 149 °F] |
|-----------------------------|----------------------------|

Operation/Application

| | |
|---------------------|----------------|
| Circuit Application | Power & Signal |
|---------------------|----------------|

Packaging Features

| | |
|--------------------|-----|
| Packaging Quantity | 200 |
|--------------------|-----|

Product Compliance

[For compliance documentation, visit the product page on TE.com>](#)

| | |
|------------------------------|-----------|
| EU RoHS Directive 2011/65/EU | Compliant |
|------------------------------|-----------|

| | |
|-----------------------------|-----------|
| EU ELV Directive 2000/53/EC | Compliant |
|-----------------------------|-----------|

| | |
|---|---|
| China RoHS 2 Directive MIIT Order No 32, 2016 | No Restricted Materials Above Threshold |
|---|---|

| | |
|--|---|
| EU REACH Regulation (EC) No. 1907/2006 | Current ECHA Candidate List: JUNE 2024 (241) Candidate List Declared Against: JUNE 2022 (224) Does not contain REACH SVHC |
|--|---|

Halogen Content

Not Low Halogen - contains Br or Cl > 900 ppm.

Solder Process Capability

Wave solder capable to 265°C

Product Compliance Disclaimer

This information is provided based on reasonable inquiry of our suppliers and represents our current actual knowledge based on the information they provided. This information is subject to change. The part numbers that TE has identified as EU RoHS compliant have a maximum concentration of 0.1% by weight in homogenous materials for lead, hexavalent chromium, mercury, PBB, PBDE, DBP, BBP, DEHP, DIBP, and 0.01% for cadmium, or qualify for an exemption to these limits as defined in the Annexes of Directive 2011/65/EU (RoHS2). Finished electrical and electronic equipment products will be CE marked as required by Directive 2011/65/EU. Components may not be CE marked. Additionally, the part numbers that TE has identified as EU ELV compliant have a maximum concentration of 0.1% by weight in homogenous materials for lead, hexavalent chromium, and mercury, and 0.01% for cadmium, or qualify for an exemption to these limits as defined in the Annexes of Directive 2000/53/EC (ELV). Regarding the REACH Regulation, the information TE provides on SVHC in articles for this part number is based on the latest European Chemicals Agency (ECHA) 'Guidance on requirements for substances in articles' posted at this URL: <https://echa.europa.eu/guidance-documents/guidance-on-reach>

Compatible Parts



TE Part # 1986720-3
STR PLUG SPRING TYPE RH 3P, 3.81 mm



TE Part # 2342071-3
3POS HDR ST,HT, 3.5MM PITCH, TL 1.9MM



TE Part # 2342076-3
3POS HDR 90 DEG ,HT,3.5MM Pitch, TL1.9mm



TE Part # 284512-3
3 POS TERMI-BLOK HDR 900 POLAR

Customers Also Bought



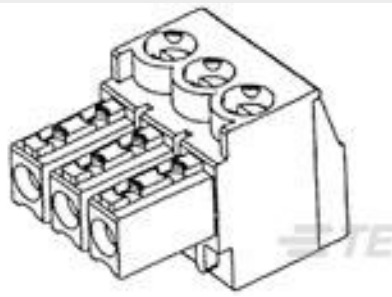
TE Part #1473005-1
SEMI HARD TRAY DDR SOCKET 200P



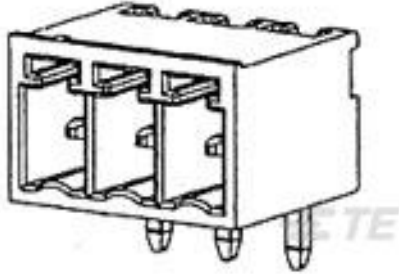
TE Part #5-5179180-2
0.8FH,R09H.5,060,08/Sn,TR,SC



TE Part #205090-1
HD 20 SOCKET CONTACT



TE Part #284506-3
3 POS TERMI-BLOK PLUG STACK 3,



TE Part #284513-3
3 POS TERMI-BLOK HDR 900 POL.



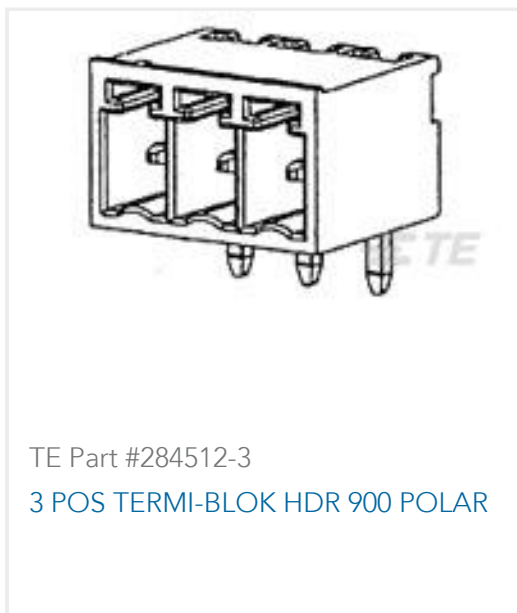
TE Part #1986693-3
STR PLUG SPRING TYPE LH 3P, 3.50 mm



TE Part #1986722-3
STR PLUG SPRING TYPE LH 3P, 3.81 mm



TE Part #5179031-2
0.8FH,P08H.5,060,08/Sn,TU



Documents

Product Drawings

[STR PLUG SPRING TYPE RH 3P, 3.50mm](#)

English

CAD Files

Customer View Model

[ENG_CVM_CVM_1986692-3_A.2d_dxf.zip](#)

English

[3D PDF](#)

3D

Customer View Model

[ENG_CVM_CVM_1986692-3_A.3d_igs.zip](#)

English

Customer View Model

[ENG_CVM_CVM_1986692-3_A.3d_stp.zip](#)

English

By downloading the CAD file I accept and agree to the [Terms and Conditions](#) of use.

Datasheets & Catalog Pages

[2-1773464-1_Spring_Type_Straight_Plugs](#)

English

Agency Approvals

[UL](#)

English