

2-34160-1 ✓ ACTIVE

PLASTI-GRIP

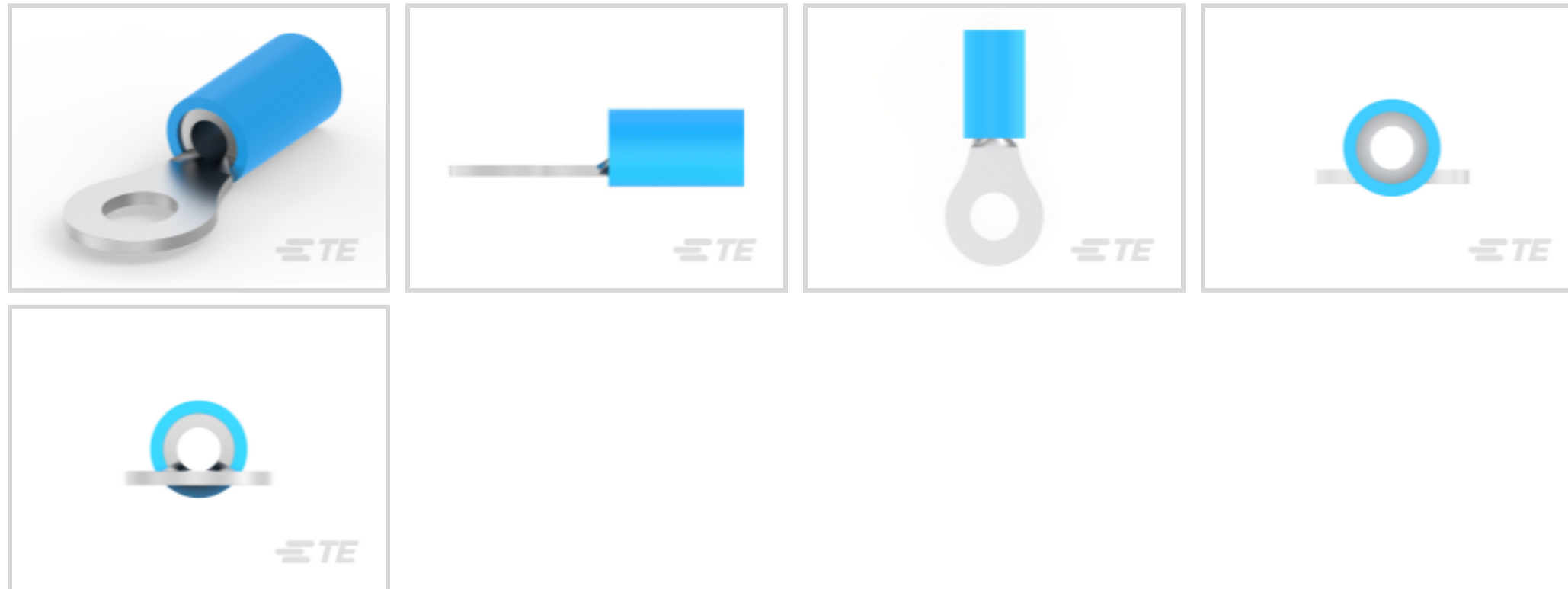
TE Internal #: 2-34160-1

Closed Ring Tongue Terminal, 16 – 14 AWG, #8 / M4 Stud Size,  
4.34 mm [.171 in] Stud Diameter, Closed Barrel, Straight, Tin,  
PLASTI-GRIP

[View on TE.com >](#)



Terminals & Splices > Ring Terminals



Ring Terminal Product Type: **Closed Ring Tongue Terminal**

Wire Size: **2050 – 5180 CMA**

Stud Size: **#8, M4**

### Features

#### Product Type Features

Ring Terminal Product Type	Closed Ring Tongue Terminal
Stud Size	#8, M4
Sealable	No
Wire Insulation Support Retention Type	Insulation Support

#### Dimensions

Wire Size	2050 – 5180 CMA
Stud Diameter	4.34 mm [.171 in]
Tongue Thickness	.79 mm [.031 in]
Product Length	22.12 mm [.87 in]
Compatible Insulation Diameter (Max)	4.9 mm [.193 in]
Compatible Insulation Diameter Range	3 – 4.9 mm [.118 – .193 in]

#### Contact Features

Barrel Type	Closed
Terminal Orientation	Straight
Terminal Plating Material	Tin



### Usage Conditions

Insulation Option	Partially Insulated
Operating Temperature Range	105 °C[221 °F]

### Operation/Application

Compatible With Wire Base Material	Copper
Compatible With Wire Plating Material	Tin

### Packaging Features

Packaging Method	Tape Mounted
Packaging Quantity	5000

### Other

EU RoHS Compliance	Compliant
EU ELV Compliance	Compliant

### Configuration Features

Number of Holes	1
-----------------	---

### Electrical Characteristics

Voltage Rating	600 V
----------------	-------

### Body Features

Product Weight	.891 g
----------------	--------

### Mechanical Attachment

Wire Insulation Support	With
-------------------------	------

### Industry Standards

Government Qualified Terminal	No
-------------------------------	----

### Product Compliance

[For compliance documentation, visit the product page on TE.com>](#)

EU RoHS Directive 2011/65/EU	Compliant
EU ELV Directive 2000/53/EC	Compliant
China RoHS 2 Directive MIIT Order No 32, 2016	No Restricted Materials Above Threshold
EU REACH Regulation (EC) No. 1907/2006	Current ECHA Candidate List: JUNE 2024 (241) Candidate List Declared Against: JUNE 2024 (241) Does not contain REACH SVHC



Halogen Content	Not Low Halogen - contains Br or Cl > 900 ppm.
-----------------	--

Solder Process Capability	Not applicable for solder process capability
---------------------------	--

**Product Compliance Disclaimer**

This information is provided based on reasonable inquiry of our suppliers and represents our current actual knowledge based on the information they provided. This information is subject to change. The part numbers that TE has identified as EU RoHS compliant have a maximum concentration of 0.1% by weight in homogenous materials for lead, hexavalent chromium, mercury, PBB, PBDE, DBP, BBP, DEHP, DIBP, and 0.01% for cadmium, or qualify for an exemption to these limits as defined in the Annexes of Directive 2011/65/EU (RoHS2). Finished electrical and electronic equipment products will be CE marked as required by Directive 2011/65/EU. Components may not be CE marked. Additionally, the part numbers that TE has identified as EU ELV compliant have a maximum concentration of 0.1% by weight in homogenous materials for lead, hexavalent chromium, and mercury, and 0.01% for cadmium, or qualify for an exemption to these limits as defined in the Annexes of Directive 2000/53/EC (ELV). Regarding the REACH Regulation, the information TE provides on SVHC in articles for this part number is based on the latest European Chemicals Agency (ECHA) 'Guidance on requirements for substances in articles' posted at this URL: <https://echa.europa.eu/guidance-documents/guidance-on-reach>

## Compatible Parts

TE Part # 59824-1  
 TETRA-CRIMP PIDG PG FASTON 22-10 ASSY

TE Part # 58433-3  
 PRO CR ASSY, RBY IS9252

TE Part # 47387  
 DAHT PG PIDG 20-14 ASSY

TE Part # 58423-1  
 DIE, RBY IS9252

TE Part # 169404  
 CERTI-LOK DIE

## Also in the Series | PLASTI-GRIP

Compression Connectors(3)

Crimp Wire Pins, Tabs & Ferrules(18)

Ring Terminals(297)

Spade Terminals(157)



Splices(44)

## Customers Also Bought



TE Part #1-480277-0  
09P CMNL CAP HSG P/M NATL



TE Part #2-34173-1  
TERMINAL,PG R 12-10 3/8



TE Part #2-34148-1  
PG R 22-16 COMM 22-18 MIL 8



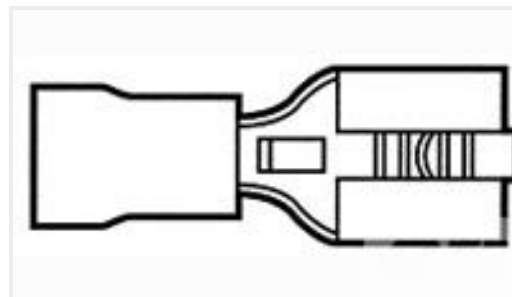
TE Part #2-34853-1  
TERM,PG, R, 12-10, #8, T&R



TE Part #2-320564-3  
TERMINAL,PIDG R 16-14 3/8



TE Part #321271  
TERMINAL,SOLIS R 4/0 5/16



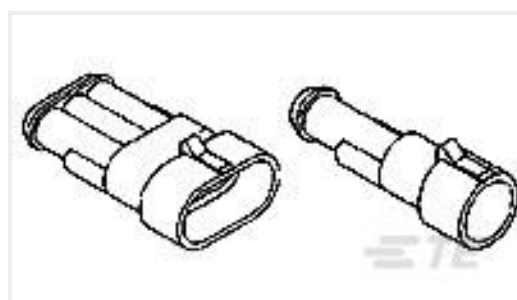
TE Part #42844-3  
RECEPT,PIDG FASTON 14-12 250



TE Part #350642-1  
09P CMNL HDR ASSY NATL



TE Part #505874P042  
VERSAFIT-1/4-0-0.9375IN



TE Part #282106-2  
AMP SUPERSEAL 1.5 SERIES 4P CA

## Documents

### Product Drawings

[TERMINAL,PG R 16-14 8, TAPE](#)

English

### CAD Files

[3D PDF](#)

English

### Customer View Model

[ENG\\_CVM\\_2-34160-1\\_R.2d\\_dxf.zip](#)



English

Customer View Model

[ENG\\_CVM\\_2-34160-1\\_R.3d\\_igs.zip](#)

English

Customer View Model

[ENG\\_CVM\\_2-34160-1\\_R.3d\\_stp.zip](#)

English

[3D PDF](#)

3D

Customer View Model

[ENG\\_CVM\\_CVM\\_2-34160-1\\_AD.2d\\_dxf.zip](#)

English

Customer View Model

[ENG\\_CVM\\_CVM\\_2-34160-1\\_AD.3d\\_igs.zip](#)

English

Customer View Model

[ENG\\_CVM\\_CVM\\_2-34160-1\\_AD.3d\\_stp.zip](#)

English

By downloading the CAD file I accept and agree to the [Terms and Conditions](#) of use.

---

### Product Specifications

[Application Specification](#)

English

---

### Agency Approvals

[UL Report](#)

English