



AMP | AMP Type III+

TE Internal #: 1-66105-9

Socket Contact, Tin, Spring Contact Retention, Size 16 Contact Size, Discrete Wire, 24 – 20 AWG Wire Size, .2 – .6 mm<sup>2</sup> Wire Size, Crimp, AMP Type III+

[View on TE.com >](#)

Connectors > Contacts > Connector Contacts



Contact Type: **Socket**

Contact Mating Area Plating Material: **Tin**

Wire Contact Termination Area Plating Material: **Tin**

Contact Retention Within Housing: **With**

Contact Retention Type Within Housing: **Spring**

**Features**

**Packaging Features**

Packaging Quantity	1000
Packaging Method	Loose Piece, Carton

**Product Type Features**

Discrete Wire Type	Solid or Stranded
Sealable	No

**Dimensions**

Compatible Insulation Diameter Range	1.02 – 2.03 mm [.04 – .08 in]
Wire Size	.2 – .6 mm <sup>2</sup>

**Mechanical Attachment**

Wire Insulation Support	With
Contact Retention Type Within Housing	Spring

**Contact Features**

Contact Underplating Material	Nickel
-------------------------------	--------

Contact Orientation	Straight
Mating Pin Diameter	1.57 mm[.062 in]
Contact Underplating Material Thickness	.76 μm[30 μin]
Contact Mating Area Plating Material Thickness	1.27 μm[50 μin]
Wire Contact Termination Area Plating Material Finish	Bright
Wire Contact Termination Area Plating Thickness	1.27 μm[50 μin]
Barrel Type	Open
Contact Mating Area Plating Material Finish	Bright
Contact Type	Socket
Contact Mating Area Plating Material	Tin
Wire Contact Termination Area Plating Material	Tin
Contact Retention Within Housing	With
Contact Size	Size 16
Contact Base Material	Brass
Contact Current Rating (Max)	13 A

### Configuration Features

Compatible With Wire & Cable Type	Discrete Wire
-----------------------------------	---------------

### Termination Features

Termination Method to Wire & Cable	Crimp
Product Terminates To	Wire & Cable

### Usage Conditions

Operating Temperature Range	-55 – 90 °C[-67 – 194 °F]
-----------------------------	---------------------------

### Operation/Application

Circuit Application	Power & Signal
---------------------	----------------

### Other

EU RoHS Compliance	Compliant
EU ELV Compliance	Compliant

### Product Compliance

[For compliance documentation, visit the product page on TE.com>](#)

EU RoHS Directive 2011/65/EU	Compliant
EU ELV Directive 2000/53/EC	Compliant



China RoHS 2 Directive MIIT Order No 32, 2016	No Restricted Materials Above Threshold
EU REACH Regulation (EC) No. 1907/2006	Current ECHA Candidate List: JUNE 2024 (241) Candidate List Declared Against: JUNE 2024 (241) Does not contain REACH SVHC
Halogen Content	Low Halogen - Br, Cl, F, I < 900 ppm per homogenous material. Also BFR/CFR/PVC Free
Solder Process Capability	Not applicable for solder process capability

Product Compliance Disclaimer

This information is provided based on reasonable inquiry of our suppliers and represents our current actual knowledge based on the information they provided. This information is subject to change. The part numbers that TE has identified as EU RoHS compliant have a maximum concentration of 0.1% by weight in homogenous materials for lead, hexavalent chromium, mercury, PBB, PBDE, DBP, BBP, DEHP, DIBP, and 0.01% for cadmium, or qualify for an exemption to these limits as defined in the Annexes of Directive 2011/65/EU (RoHS2). Finished electrical and electronic equipment products will be CE marked as required by Directive 2011/65/EU. Components may not be CE marked. Additionally, the part numbers that TE has identified as EU ELV compliant have a maximum concentration of 0.1% by weight in homogenous materials for lead, hexavalent chromium, and mercury, and 0.01% for cadmium, or qualify for an exemption to these limits as defined in the Annexes of Directive 2000/53/EC (ELV). Regarding the REACH Regulation, the information TE provides on SVHC in articles for this part number is based on the latest European Chemicals Agency (ECHA) 'Guidance on requirements for substances in articles' posted at this URL: <https://echa.europa.eu/guidance-documents/guidance-on-reach>

## Compatible Parts



TE Part # 91515-1  
CCII TYPE III+ MNL PIN SKT 30-20 ASSY



TE Part # 58495-2  
PROCRIMPER DIE ASSY MULTIMATE



TE Part # 91505-1  
CCII TYPE III+ 24-16 ASSY



TE Part # 200893-2  
INSERTION TOOL CONT



TE Part # 58495-1  
PRO CRIMPER ASSY MULTIMATE



TE Part # 539972-1  
EXTRACTION TOOL



TE Part # 208470-1  
CMC PLUG ASSEMBLY,SZ 28



TE Part # 208714-2  
CMC PLUG ASSEMBLY,SZ 14-7




TE Part # 208714-1  
CMC PLUG ASSEMBLY, SZ 14-7



TE Part # 208488-1  
CMC PLUG ASSEMBLY, SZ 22



TE Part # 788153-2  
SLD CPC PLUG ASSY, 11-4, REV SEX



TE Part # 211770-2  
CPC PLUG ASSEMBLY SIZE 23-19



TE Part # 208457-1  
CMC PLUG ASSEMBLY, SZ 28-24



TE Part # 211766-1  
CPC PLUG ASSEMBLY SIZE 17-9



TE Part # 211772-1  
CPC PLUG ASSEMBLY SIZE 23-19



TE Part # 213853-1  
CPC PLUG ASSEMBLY SIZE 23-19



TE Part # 206305-1  
CPC PLUG ASSEMBLY SIZE 23-37



TE Part # 796450-1  
PLUG ASSY, CPC, 17-9, REV SEX




TE Part # 796188-1  
SLD CPC PLUG ASSY, 23-24, STD SX




TE Part # 206150-1  
CPC PLUG ASSEMBLY SIZE 23-37

Also in the Series | AMP Type III+



Connector Contacts(397)



Insertion & Extraction Tools(4)

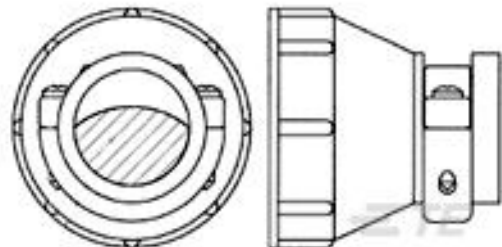
Customers Also Bought



TE Part #206150-1  
CPC PLUG ASSEMBLY SIZE 23-37



TE Part #206036-1  
RECEPT, SZ 17-16 CPC



TE Part #182655-1  
17 SIZE CPC STD CLAMP



TE Part #206037-1  
CPC PLUG ASSEMBLY SIZE 17-16



TE Part #206044-1  
CPC PLUG ASSEMBLY SIZE 17-14



TE Part #1-66099-5  
III+ PIN,18-16,TIN ,LP



TE Part #1-66360-2  
III+ SKT,18-14,TIN ,LP



TE Part #010312350000-M  
CD-375-050



TE Part #802427-SF  
FN2030-3-06



TE Part #800578-SF  
FN2070-10-06

## Documents

### Product Drawings

III+ SKT,24-20,TIN,LP

English

### CAD Files

Customer View Model

[ENG\\_CVM\\_CVM\\_1-66105-9\\_AE.2d\\_dxf.zip](#)

English

3D PDF

3D

Customer View Model

[ENG\\_CVM\\_CVM\\_1-66105-9\\_AE.3d\\_igs.zip](#)

English

Customer View Model

[ENG\\_CVM\\_CVM\\_1-66105-9\\_AE.3d\\_stp.zip](#)

English

By downloading the CAD file I accept and agree to the [Terms and Conditions](#) of use.

### Datasheets & Catalog Pages

[AMP Circular Connectors for Commercial Signal & Power Applications](#)

English

[Signal Contacts](#)

English

[M\\_SERIES\\_PIN\\_AND\\_SOCKET\\_CONNECTORS](#)

English

### Product Specifications

1-66105-9

Socket Contact, Tin, Spring Contact Retention, Size 16 Contact Size, Discrete Wire,  
24 – 20 AWG Wire Size, .2 – .6 mm<sup>2</sup> Wire Size, Crimp, AMP Type III+



## Application Specification

English