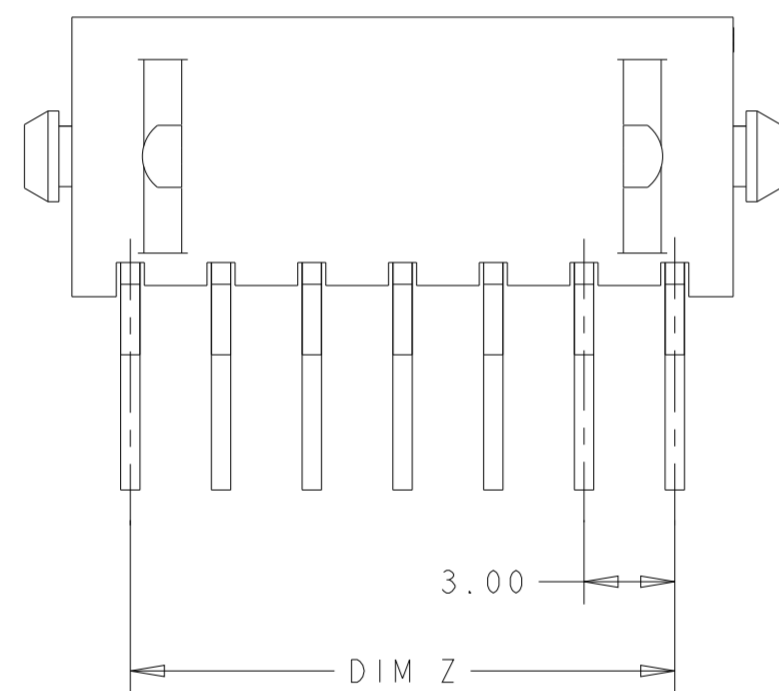
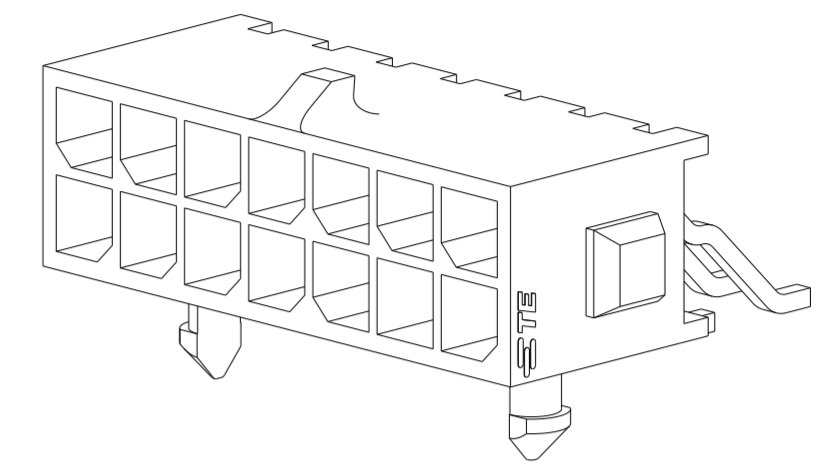
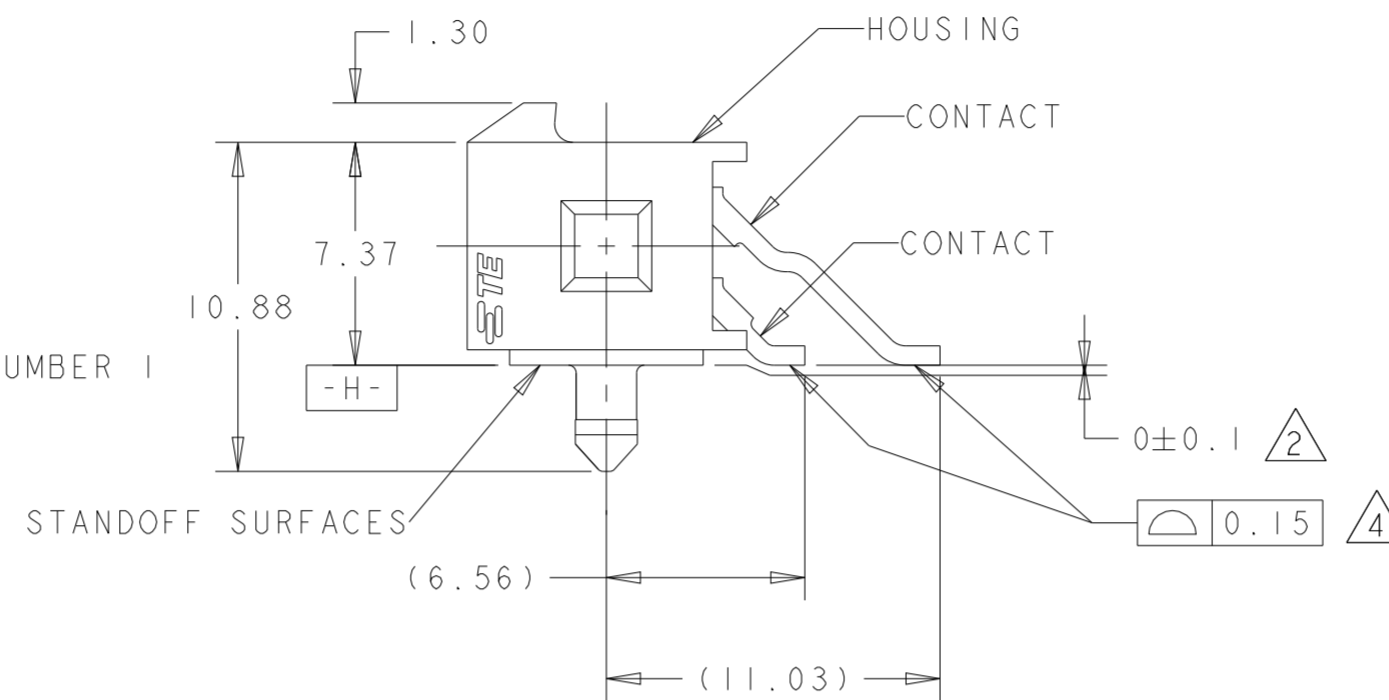
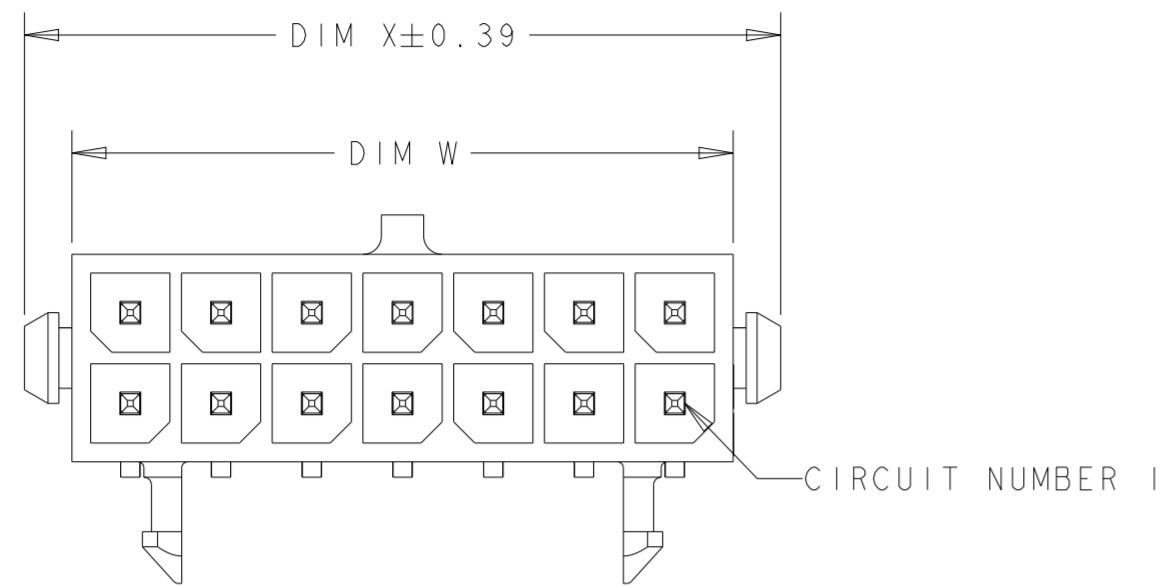


P	LTR	DESCRIPTION	DATE	DWN	APVD
G5		REVISED PER ECN-23-240910	24NOV2023	WLS	VS
G6		REVISED PER ECN-24-279340	15AUG2024	WLS	JP

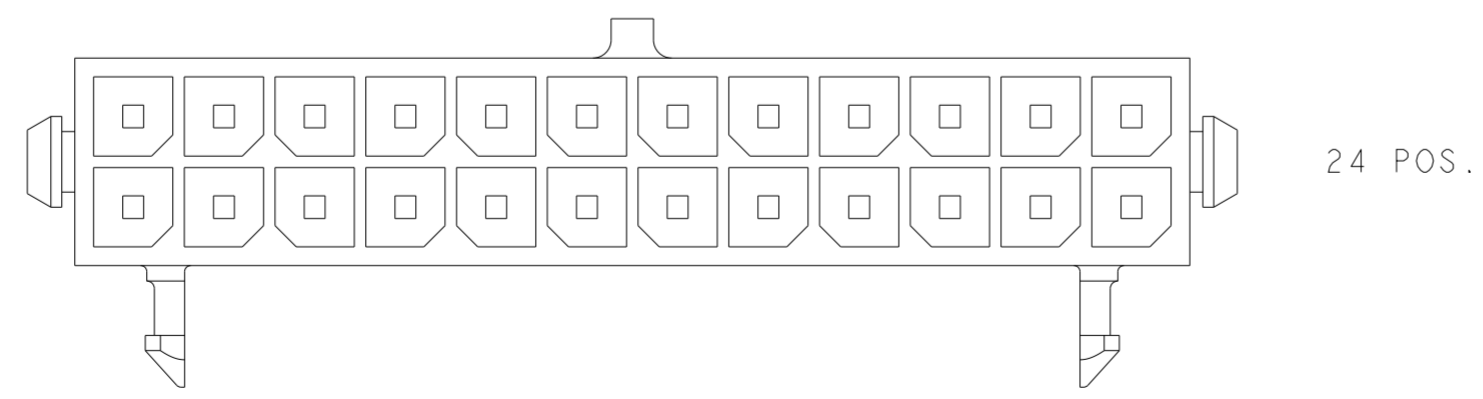
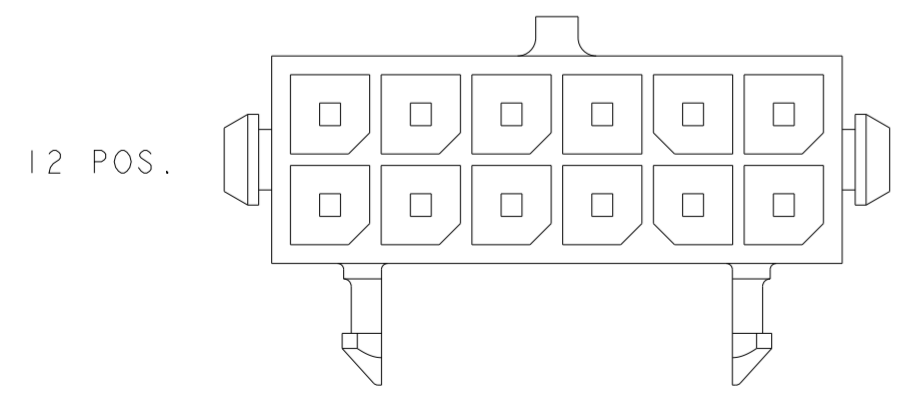
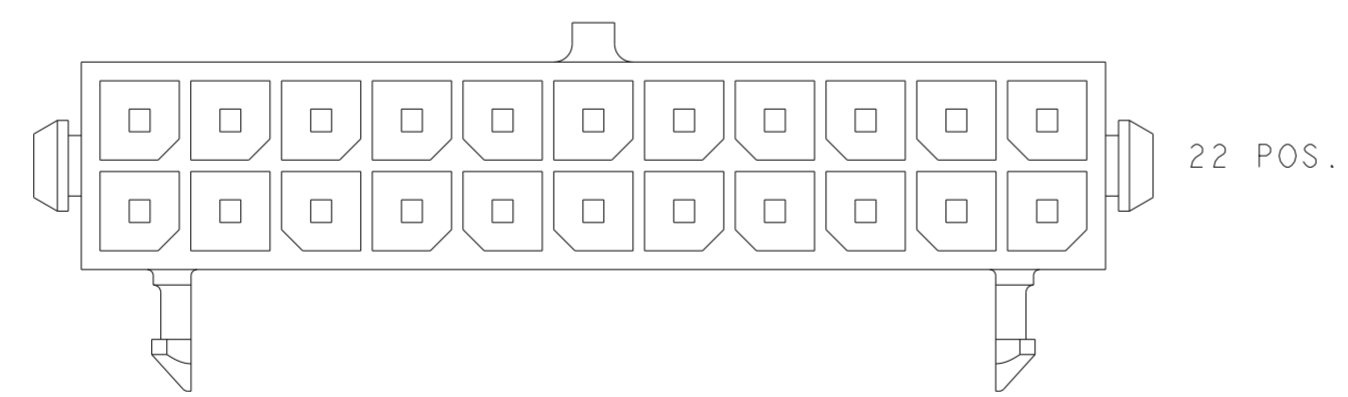
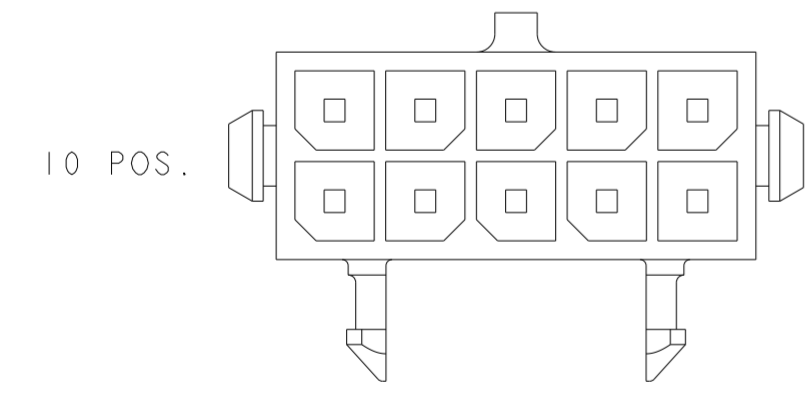
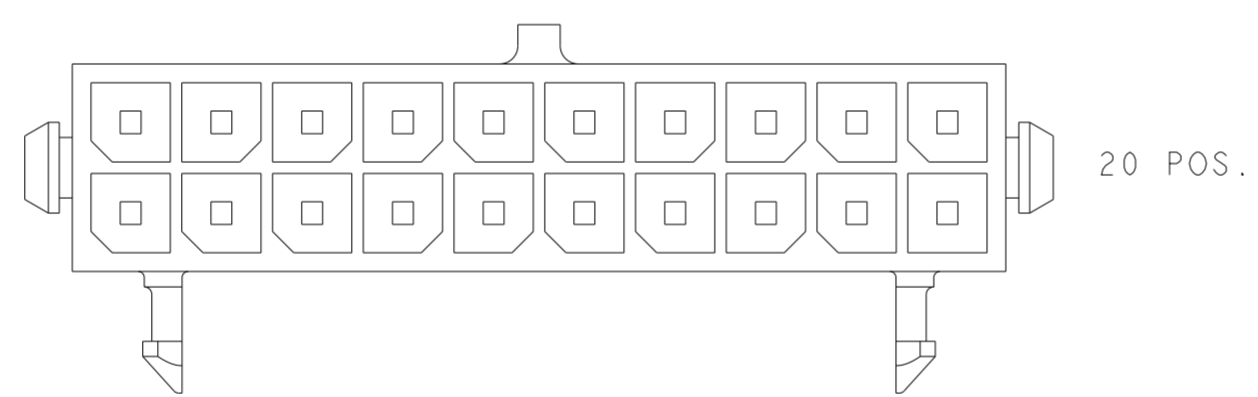
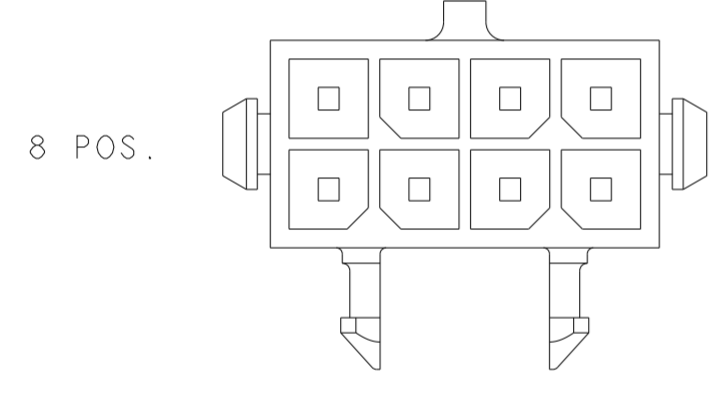
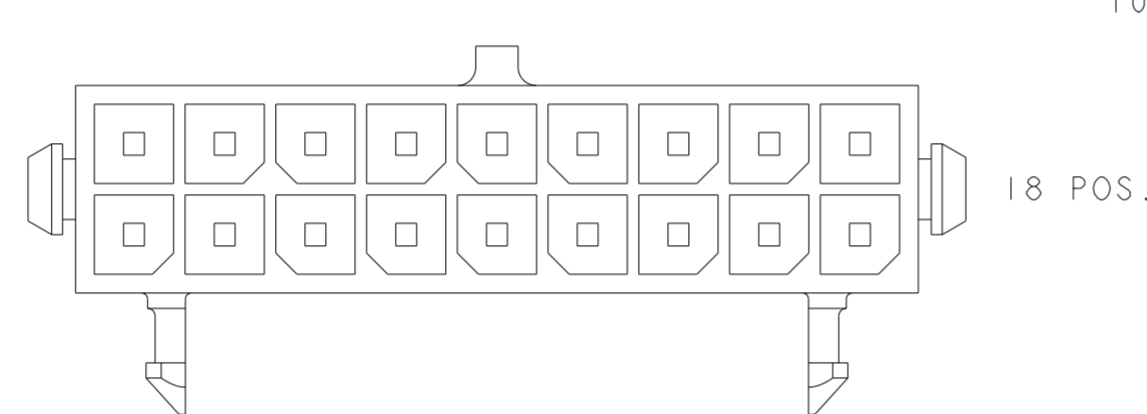
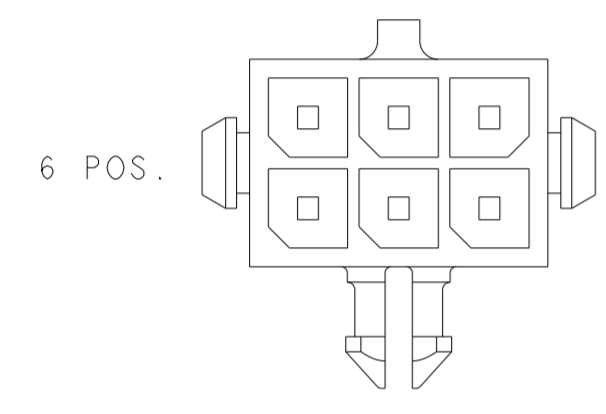
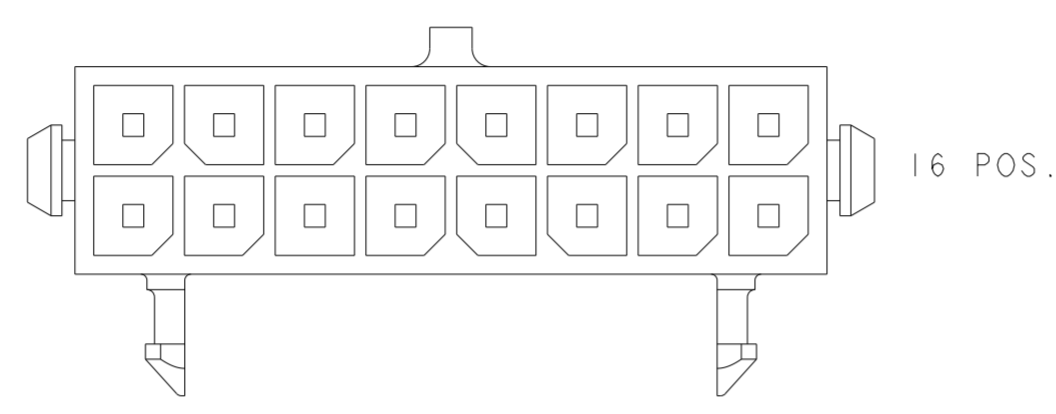
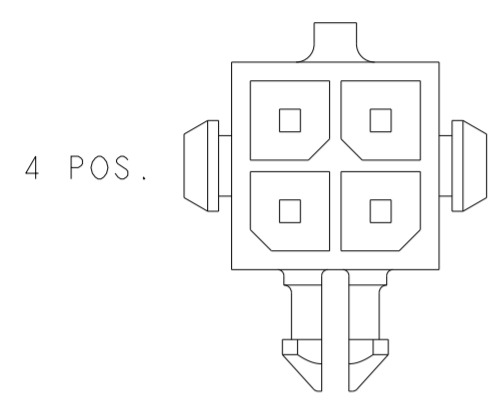
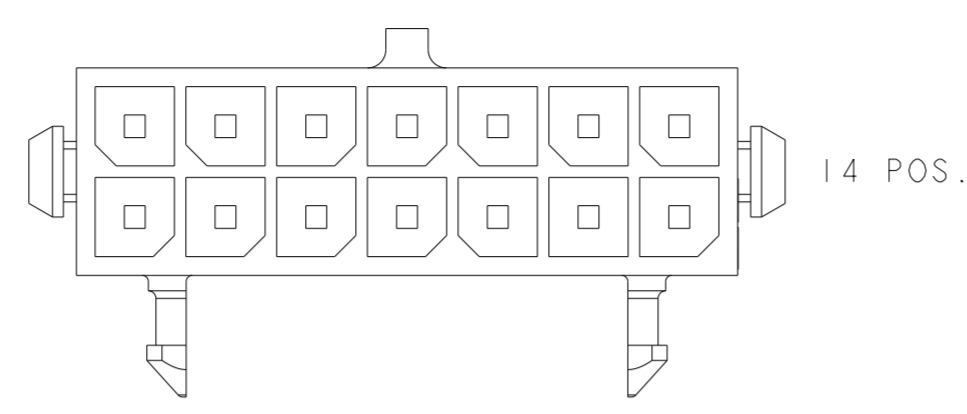
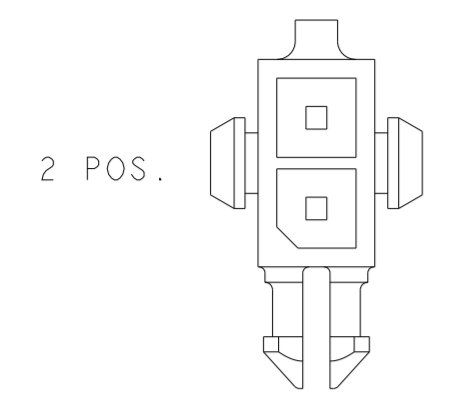


- 1 MATERIAL;
HOUSING - UL 94V-0 RATED HIGH TEMP NYLON, COLOR BLACK.
CONTACTS - BRASS.
 - 2 DIMENSION APPLIES TO SOLDERTAIL SURFACES AND STANDOFF SURFACES.
 - 3 RECOMMENDED PC BOARD THICKNESS OF 1.57.
 - 4 ALL SOLDERTAILS.
 - 5 FINISH;
CONTACTS - 2.54µm MINIMUM MATTE TIN OVER 1.27µm MINIMUM NICKEL.
- 6 COUNTERPART RECOMMENDED IS PN 794617 (DASH ACCORDING TO NUMBER OF POSITION).
- 7 FOR REELING DIRECTION AND PACKAGING TYPE, SEE SPECIFICATION 114-13000.

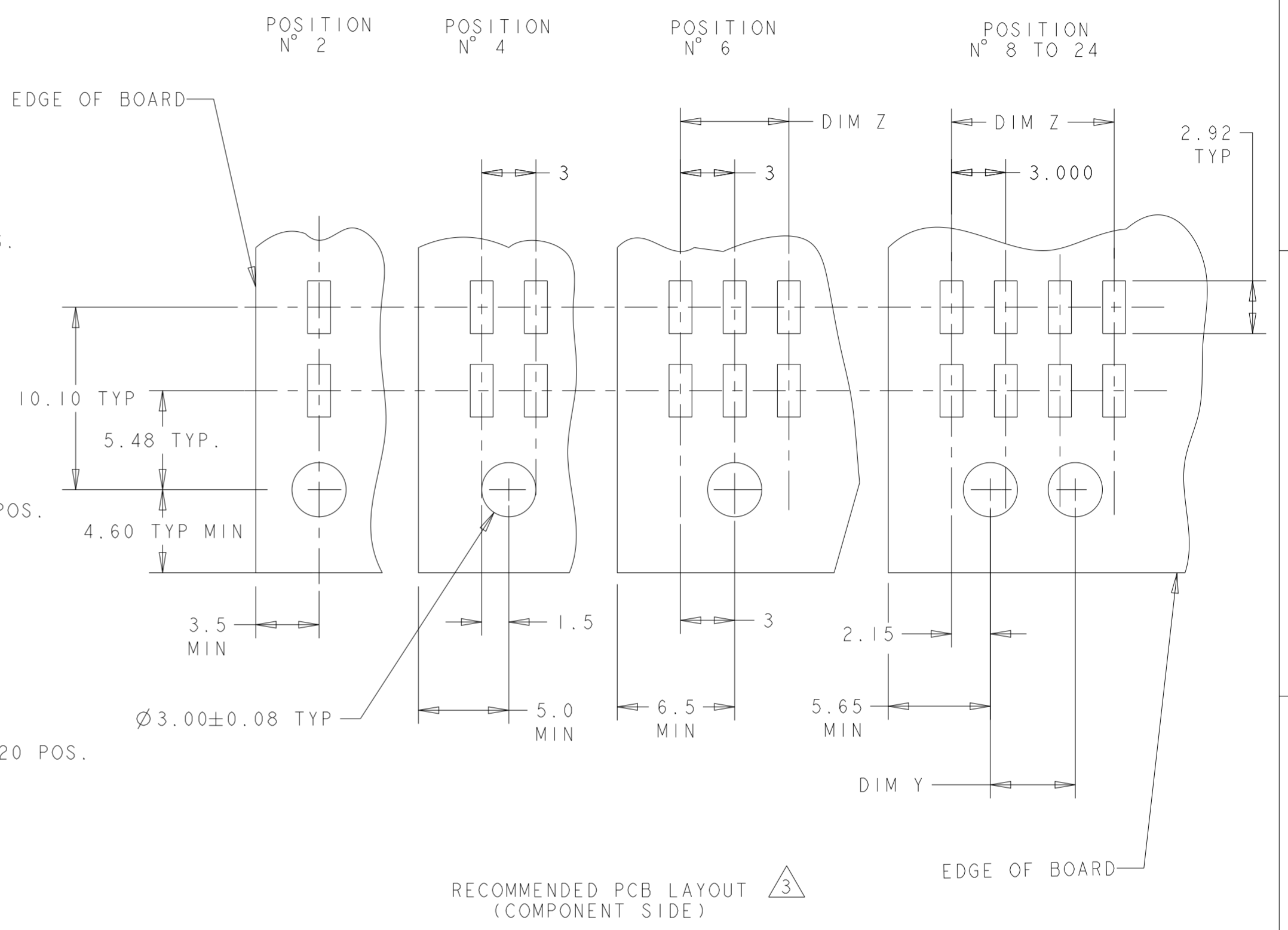
OBSOLETE	36.86	28.70	33.00	40.00	24	5-794621-4
OBSOLETE	33.86	25.70	30.00	37.00	22	5-794621-2
OBSOLETE	30.86	22.70	27.00	34.00	20	5-794621-0
OBSOLETE	27.86	19.70	24.00	31.00	18	4-794621-8
OBSOLETE	24.86	16.70	21.00	28.00	16	4-794621-6
OBSOLETE	21.86	13.70	18.00	25.00	14	4-794621-4
OBSOLETE	18.86	10.70	15.00	22.00	12	4-794621-2
	15.86	7.70	12.00	19.00	10	4-794621-0
OBSOLETE	12.86	4.70	9.00	16.00	8	3-794621-8
	9.86	-	6.00	13.00	6	3-794621-6
	6.86	-	3.00	10.00	4	3-794621-4
OBSOLETE	3.86	-	-	7.00	2	3-794621-2
	DIM W	DIM Y	DIM Z	DIM X	NO. OF POSN.	PART NUMBER

THIS DRAWING IS A CONTROLLED DOCUMENT.		DWN S. HOOVER 23-MAR-2005	TE Connectivity			
DIMENSIONS: mm		CHK C. JONES 23-MAR-2005				
TOLERANCES UNLESS OTHERWISE SPECIFIED:		APVD C. JONES 23-MAR-2005	NAME ASSEMBLY, SURFACE MOUNT, R/A, TIN HEADER, PLASTIC BOARDLOCK, MICRO MATE-N-LOK(TM)			
0 PLC ± 1 PLC ± 2 PLC ±0.20 3 PLC ± 4 PLC ±		PRODUCT SPEC 108-1836	SIZE 114-13000	CAGE CODE A20779	DRAWING NO G-794621	RESTRICTED TO
ANGLES ±1° FINISH		WEIGHT -	SCALE 4:1		SHEET 1 OF 2	REV G6
MATERIAL 1		CUSTOMER DRAWING				

REVISIONS				
P	LTR	DESCRIPTION	DATE	APVD
-	-	SEE SHEET 1	-	-



KEYING BY POSITION SIZE



THIS DRAWING IS A CONTROLLED DOCUMENT.		DWN S. HOOVER 23-MAR-2005	 TE Connectivity	NAME ASSEMBLY, SURFACE MOUNT, R/A, TIN HEADER, PLASTIC BOARDLOCK, MICRO MATE-N-LOK(TM)	
DIMENSIONS: mm		CHK C. JONES 23-MAR-2005		SIZE A20779	
TOLERANCES UNLESS OTHERWISE SPECIFIED: 0 PLC ± 1 PLC ± 2 PLC ±0.20 3 PLC ± 4 PLC ± ANGLES ±1° FINISH		APVD C. JONES 23-MAR-2005		DRAWING NO G-794621	
MATERIAL -		PRODUCT SPEC 108-1836 APPLICATION SPEC 114-13000 WEIGHT -		RESTRICTED TO SCALE 4:1 SHEET 2 OF 2 REV G6	
CUSTOMER DRAWING					