

PLEASE CHECK WWW.MOLEX.COM FOR LATEST PART INFORMATION

Part Number: [0908163006](#)
Status: **Active**
Overview: [Picoflex Ribbon-Cable Connectors](#)
Description: Picoflex Surface Mount Latched Vertical Header with PCB Pegs, 6 Circuits, PdNi with Gold Flash Plating, Black

Documents:

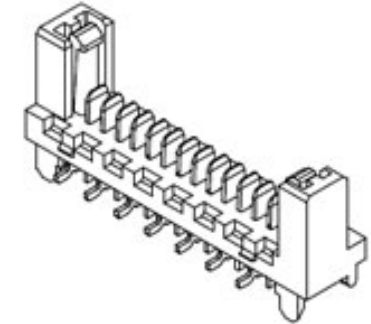
3D Model	Packaging Specification PK-90816-001-001 (PDF)
Drawing (PDF)	Packaging Specification PK-90816-006-001 (PDF)
3D Model (PDF)	Test Summary TS-90816-001-001 (PDF)
Product Specification PS-99020-0011-001 (PDF)	RoHS Certificate of Compliance (PDF)
Application Specification 908140000-AS-000 (PDF)	

General

Product Family	PCB Headers
Series	90816
Application	Signal, Wire-to-Board
Component Type	PCB Header
Overview	Picoflex Ribbon-Cable Connectors
Product Name	Picoflex
Taxonomy	PCB Headers and Receptacles
UPC	883906499266

Physical

Breakaway	No
Circuits (Loaded)	6
Circuits (maximum)	6
Color - Resin	Black
Durability (mating cycles max)	5
First Mate / Last Break	No
Glow-Wire Capable	No
Guide to Mating Part	No
Keying to Mating Part	N/A
Lock to Mating Part	Yes
Material - Metal	Brass
Material - Plating Mating	Gold over Palladium Nickel
Material - Plating Termination	Nickel
Material - Resin	Nylon
Net Weight	0.340/g
Number of Rows	1
Orientation	Vertical
PC Tail Length	1.05mm
PCB Locator	Yes
PCB Retention	None
PCB Thickness - Recommended	1.60mm
Packaging Type	Tube
Pitch - Mating Interface	1.27mm
Pitch - Termination Interface	1.27mm
Plating min - Mating	0.762µm
Polarized to Mating Part	Yes
Polarized to PCB	Yes
Shrouded	Partial
Stackable	No
Surface Mount Compatible (SMC)	Yes
Temperature Range - Operating	-40° to +105°C
Termination Interface: Style	Surface Mount



Series image - Reference only

EU ELV

Not Relevant

EU RoHS

Compliant

REACH SVHC

Not Contained Per -
D(2022)4187-DC (10
June 2022)

Halogen-Free

Status

Low-Halogen

For more information, please visit [Contact US](#)

China ROHS

ELV

RoHS Phthalates

China RoHS

Green Image

Not Relevant

Not Contained

Search Parts in this Series

[90816](#) Series

Mates With

[90327](#) Picoflex PF-50

Electrical

Current - Maximum per Contact
Voltage - Maximum

1.2A
250V

Material Info**Reference - Drawing Numbers**

Application Specification

908140000-AS-000

Packaging Specification

PK-90816-001-001, PK-90816-006-001

Product Specification

PS-99020-0011-001

Sales Drawing

SD-90816-001-001

Test Summary

TS-90816-001-001

This document was generated on 01/04/2023

PLEASE CHECK WWW.MOLEX.COM FOR LATEST PART INFORMATION