

PRODUCT NUMBER
10119332-YXX-XXLF

EXTENDED RANGE

- TOOLING FEASIBILITY CONFIRMED
- SAMPLES ON DEMAND
- AVAILABILITY ON DEMAND

PLATING
(AS AVAILABLE)
1=0.76µm GXT/GOLD ON CONTACT
2µm TIN MIN ON TAILS
4=2µm TIN MIN FULL PLATED

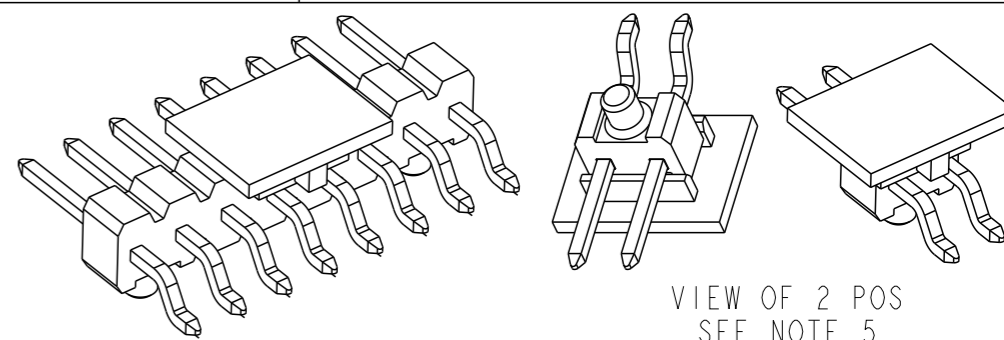
RoHS COMPATIBLE
SEE NOTE 4

TOTAL NUMBER OF
POSITIONS : 02 TO 15
(AS AVAILABLE)

PACKAGING, SEE NOTE 3
(MAY BE SUBJECT TO TOOLING FEES)

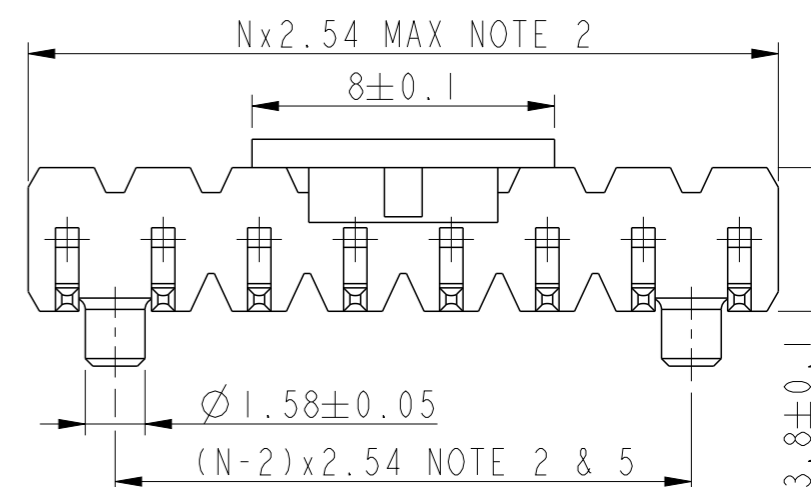
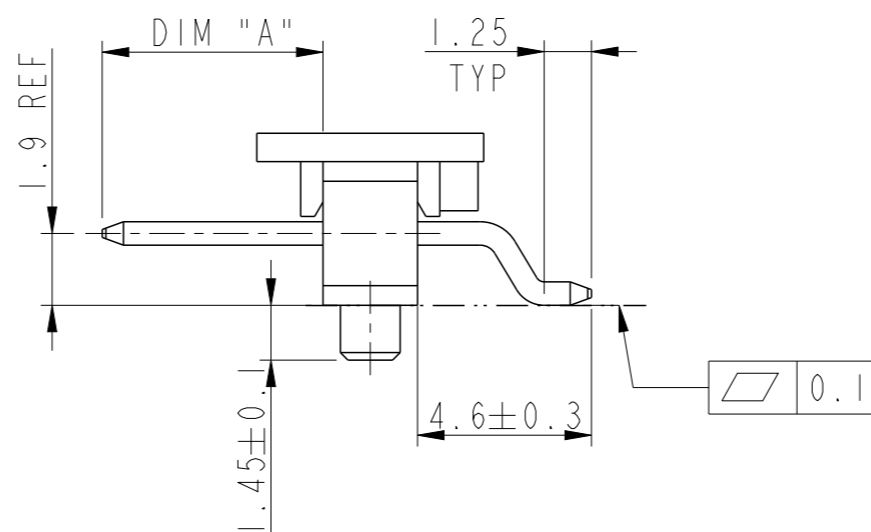
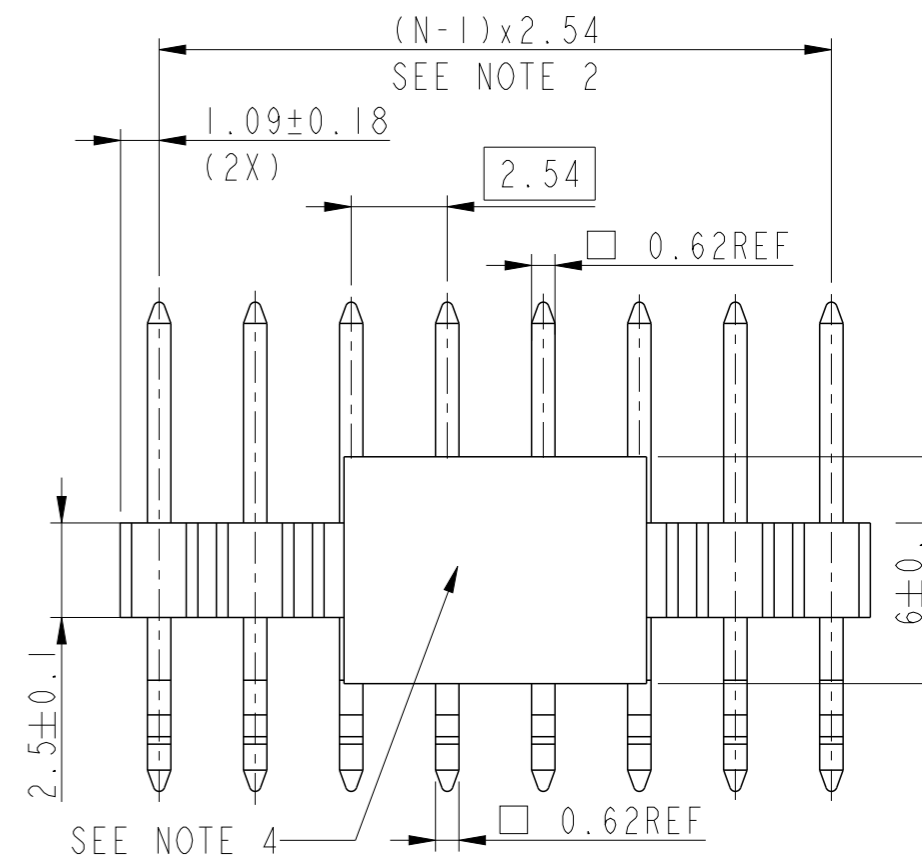
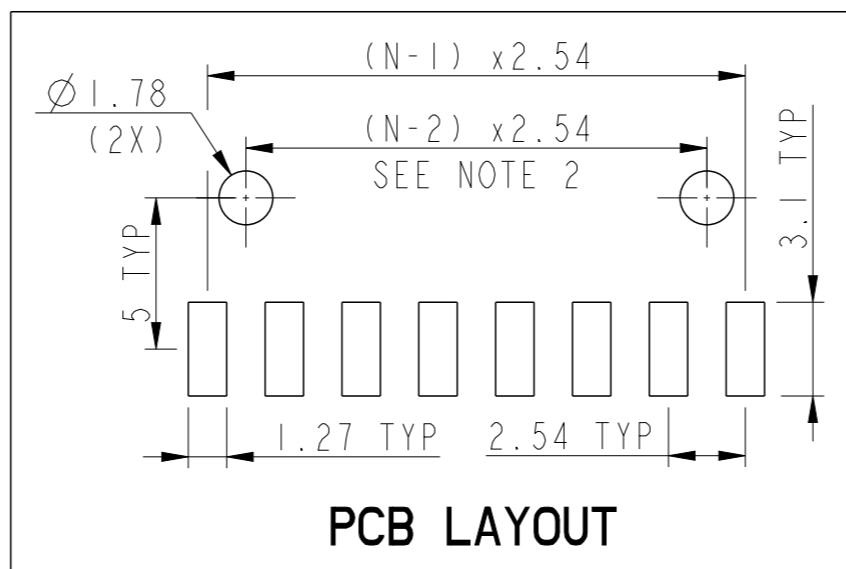
PIN STYLE, SEE TABLE
(AS AVAILABLE)

STYLE	DIM"A"±0.2
01	5.84
02	8.08
03	10.67
04	3.00



NOTES:

- MATERIAL:
 - BODY: HIGH TEMPERATURE THERMOPLASTIC
UL94V-0 COLOR BLACK
 - PIN : COPPER ALLOY
- TO DETERMINATE DIMENSIONS :
N = NUMBER OF POSITIONS
EXAMPLE : 8 POS x 2.54=20.32
- PACKAGING:
A = TAPE & REEL PACKAGING WITH PICK-UP CAP
AS PER GS-14-2357
- = POLYBAGS
KV = TAPE & REEL WITHOUT CAP FOR CUSTOMER
DEDICATED PART PER SPAF0432
K = TAPE & REEL WITHOUT CAP PER SPAF0432
- RoHS COMPATIBLE PRODUCT SPECIFICATIONS :
 - PLATING :
"LF" MEANS THE PRODUCT IS LEAD FREE 2µm MIN
MATTE TIN OVER 1.27µm MIN NICKEL UNDERPLATED
 - MANUFACTURING PROCESS COMPATIBILITY :
THE HOUSING WILL WITHSTAND EXPOSURE TO 260°C PEAK
TEMPERATURE FOR 30 SECONDS MAX IN CONVECTION,
INFRA-RED OR VAPOR PHASE OR REFLOW OVEN
 - LABELLING :
MEETS PACKAGING SPECS AS PER GS-14-920
 - LEGAL STATEMENT :SEE GS-47-0004
- FOR 2 POSITIONS ONLY ONE CENTRAL PEG
- PRODUCT SPECIFICATION AS PER BUS-12-114
EXCEPT PIN RETENTION FORCE 5N MIN.
- THIS PART SERIES IS NOT INITIALLY INTENDED FOR
AUTOMOTIVE APPLICATIONS.
ADDITIONAL FEES ARE CHARGEABLE FOR ANY ADDITIONAL
QUALIFICATION AND TEST REPORTS PERFORMED OUTSIDE
THE SCOPE OF THE STANDARD PRODUCT SPECIFICATIONS.
- UNLESS OTHERWISE APPROVED BY AMPHENOL, ALL PARTS
AND COMPONENTS ARE DESIGNED & BUILT ACCORDING TO
AMPHENOL'S SPECIFICATIONS WHICH ARE SUBJECT TO
CHANGE WITHOUT NOTICE.



spec ref	dr	Aymeric Soudy	2014/02/21	projection	MM	size	A3	scale	5:1
tolerance std	eng	Laurent Mulin	2025/02/05			ecn no	ELX-F-54025-1	rel level	Released
ISO 406 ISO 1101	chr	-	-						
surface	linear	0.X	±0.3		2.54mm UNSH HEADER HORIZ SINGLE ROW SMT WITH PEG	dwg no	10119332	rev	F
		0.XX	±0.13						
ISO 1302	angular	0°	±2°	www.fci.com	cat. no.	-	Product - Customer Drw	sheet 1 of 1	

Amphenol
FCi

© 2020 Amphenol Corporation