

3-338313-2 ✓ ACTIVE

## AMPLIMITE

TE Internal #: 3-338313-2

Receptacle, Cable-to-Board, 9 Position, 2.74 mm [.108 in]

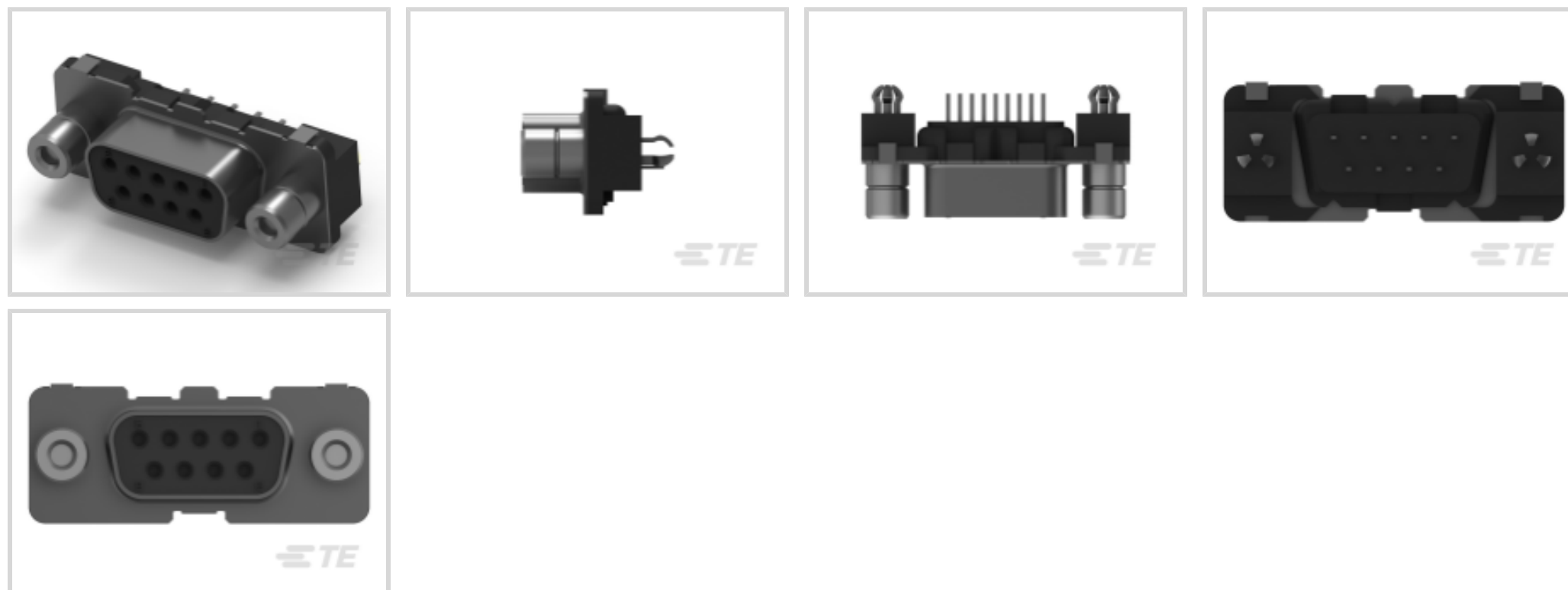
Centerline, 2 Row, 1 Connector Shell Size, Round, Standard Profile,

PCB D-Sub Connectors

[View on TE.com >](#)



Connectors > D-Shaped Connectors > D-Sub Connectors > PCB D-Sub Connectors > D-Sub Receptacle Assembly: Vertical, Shell Size 1, 2.74mm



Connector & Housing Type: **Receptacle**

Connector System: **Cable-to-Board**

Number of Positions: **9**

Centerline (Pitch): **2.74 mm [.108 in]**

Number of Rows: **2**

[All D-Sub Receptacle Assembly: Vertical, Shell Size 1, 2.74mm \(58\)](#)

## Features

### Contact Features

	30 µin
Contact Shape & Form	Round
Contact Current Rating (Max)	6 A
Contact Underplating Material	Nickel
Contact Options	Installed
Contact Mating Area Plating Material	Gold
Contact Base Material	Phosphor Bronze
PCB Contact Termination Area Plating Material	Tin

### Product Type Features

Connector & Housing Type	Receptacle
Connector System	Cable-to-Board
Connector Shell Size	1
Connector & Contact Terminates To	Printed Circuit Board



Shell Material Configuration	Front Metal Shell
------------------------------	-------------------

### Configuration Features

Number of Positions	9
---------------------	---

Number of Rows	2
----------------	---

PCB Mount Orientation	Vertical
-----------------------	----------

### Housing Features

Centerline (Pitch)	2.74 mm [.108 in]
--------------------	-------------------

Housing Material	Glass-Filled Polyester
------------------	------------------------

Shell Material	Steel
----------------	-------

### Dimensions

Row-to-Row Spacing	2.84 mm [.112 in]
--------------------	-------------------

PCB Thickness (Recommended)	1.6 mm [.063 in]
-----------------------------	------------------

### Body Features

Connector Profile	Standard
-------------------	----------

Assembly Process Feature Material	Phosphor Bronze
-----------------------------------	-----------------

Shell Plating Material	Tin
------------------------	-----

Primary Product Color	Black
-----------------------	-------

### Mechanical Attachment

PCB Mount Retention	With
---------------------	------

PCB Mount Retention Type	Boardlock
--------------------------	-----------

Mating Retention	With
------------------	------

Mating Retention Type	Female Screwlocks, 4-40 UNC
-----------------------	-----------------------------

Connector Mounting Type	Board Mount
-------------------------	-------------

Mounting Hole Diameter	5 mm
------------------------	------

Assembly Process Feature Plating Material	Tin
---	-----

### Operation/Application

Circuit Application	Signal
---------------------	--------

Durability Rating	200 Cycles
-------------------	------------

Shielded	No
----------	----

### Usage Conditions

Operating Temperature Range	-55 – 105 °C [-67 – 221 °F]
-----------------------------	-----------------------------



### Other

EU RoHS Compliance	Compliant with Exemptions
EU ELV Compliance	Compliant with Exemptions

### Termination Features

Rectangular Termination Post & Tail Width	.45 mm[.017 in]
Rectangular Termination Post & Tail Thickness	.32 mm[.012 in]
Termination Method to PCB	Through Hole - Solder
Termination Post & Tail Length	3.2 mm[.126 in]

### Industry Standards

UL Flammability Rating	UL 94V-0
Compatible With Approved Standards Products	DIN 41652

### Packaging Features

Packaging Quantity	55
Packaging Method	Tray

### Product Compliance

[For compliance documentation, visit the product page on TE.com>](#)

EU RoHS Directive 2011/65/EU	Compliant with Exemptions
EU ELV Directive 2000/53/EC	Compliant with Exemptions
China RoHS 2 Directive MIIT Order No 32, 2016	Restricted Materials Above Threshold
EU REACH Regulation (EC) No. 1907/2006	Current ECHA Candidate List: JUNE 2024 (241) Candidate List Declared Against: JUNE 2024 (241) SVHC > Threshold: Pb (.35% in Component Part) <b>Article Safe Usage Statements:</b> Do not eat, drink or smoke when using this product. Wash thoroughly after handling. Recycle if possible and dispose of the article by following all applicable governmental regulations relevant to your geographic location.
Halogen Content	Not Low Halogen - contains Br or Cl > 900 ppm.
Solder Process Capability	Wave solder capable to 265°C

#### Product Compliance Disclaimer

This information is provided based on reasonable inquiry of our suppliers and represents our current actual knowledge based on the information they provided. This information is subject to change. The part numbers that TE has identified as EU RoHS compliant have a maximum concentration of 0.1% by weight in homogenous materials for lead, hexavalent chromium, mercury, PBB, PBDE, DBP, BBP, DEHP, DIBP, and 0.01% for cadmium, or qualify for an exemption to these limits as defined in the Annexes of Directive 2011/65/EU (RoHS2). Finished electrical and electronic equipment products will be CE marked as required by Directive 2011/65/EU. Components may not be CE marked. Additionally, the part



numbers that TE has identified as EU ELV compliant have a maximum concentration of 0.1% by weight in homogenous materials for lead, hexavalent chromium, and mercury, and 0.01% for cadmium, or qualify for an exemption to these limits as defined in the Annexes of Directive 2000/53/EC (ELV). Regarding the REACH Regulation, the information TE provides on SVHC in articles for this part number is based on the latest European Chemicals Agency (ECHA) 'Guidance on requirements for substances in articles' posted at this URL: <https://echa.europa.eu/guidance-documents/guidance-on-reach>

## Compatible Parts



TE Part # CAT-AM7-248H3  
IDC D-Sub: Plug Assembly, Wire to Wire, Signal, 2.77 mm



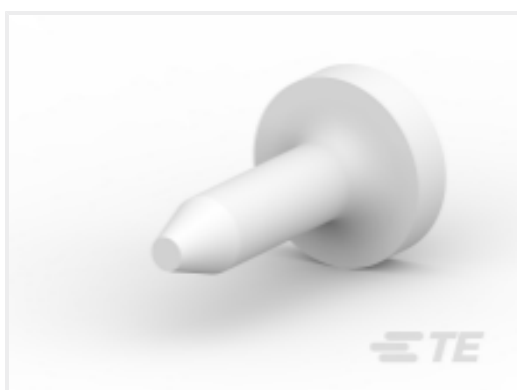
TE Part # CAT-AM7-H3  
IDC D-Sub: Plug Assembly, Low Profile, Signal, 2.77 mm



TE Part # CAT-AM7-248H4  
IDC D-Sub: Connector Kit, Plug, Wire to Wire, Signal, 2.77 mm



TE Part # 5-747904-8  
9 Plug Solder Cup, G/F w/ CN,



TE Part # 206509-1  
SIZE 20 KEYING PLUG

## Customers Also Bought



TE Part #3-338310-2  
15POS.HD20 PLUG ASS'Y



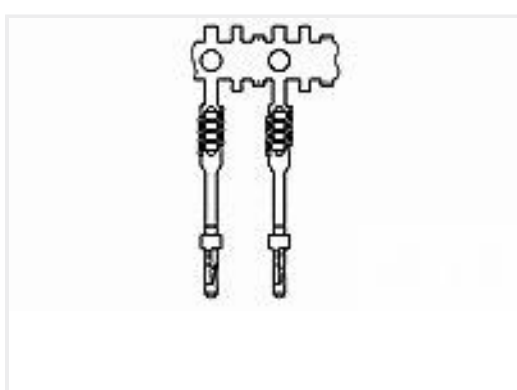
TE Part #1-640456-7  
17P MTA100 HDR ASSY F/L SQ STR



TE Part #282901-2  
TERMI-BLOK PCB MOUNT 2ND 2P.5,



TE Part #282901-3  
TERMI-BLOK PCB MOUNT 2ND 3P.5,



TE Part #2-963964-3  
MQS STIFTE MAGAZ



TE Part #827311-2  
2P MOD2 PIN HEADER



TE Part #3-928776-6  
MOD II ACTION PIN SILVER PLATED



TE Part #966870-1  
MOD2 ST-WANNE 2X 8P



## Documents

### Product Drawings

[9P.HDP20 REC. ASSY](#)

English

### CAD Files

[3D PDF](#)

3D

Customer View Model

[ENG\\_CVM\\_CVM\\_3-338313-2\\_E\\_c-3-338313-2-e.2d\\_dxf.zip](#)

English

Customer View Model

[ENG\\_CVM\\_CVM\\_3-338313-2\\_E\\_c-3-338313-2-e.3d\\_igs.zip](#)

English

Customer View Model

[ENG\\_CVM\\_CVM\\_3-338313-2\\_E\\_c-3-338313-2-e.3d\\_stp.zip](#)

English

By downloading the CAD file I accept and agree to the [Terms and Conditions](#) of use.