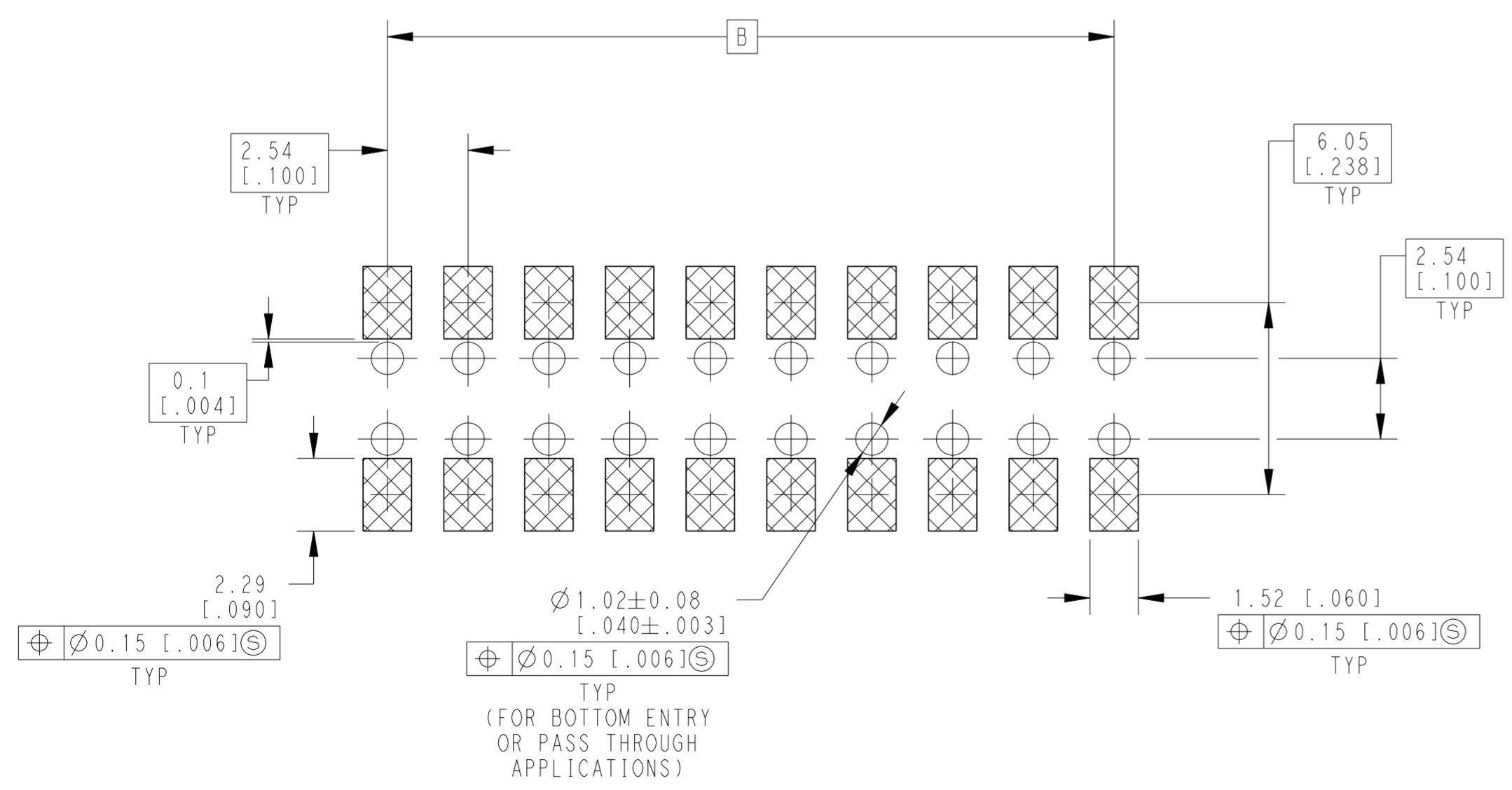
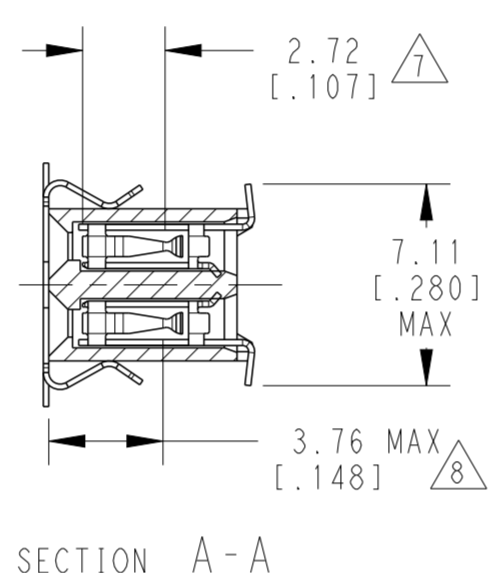
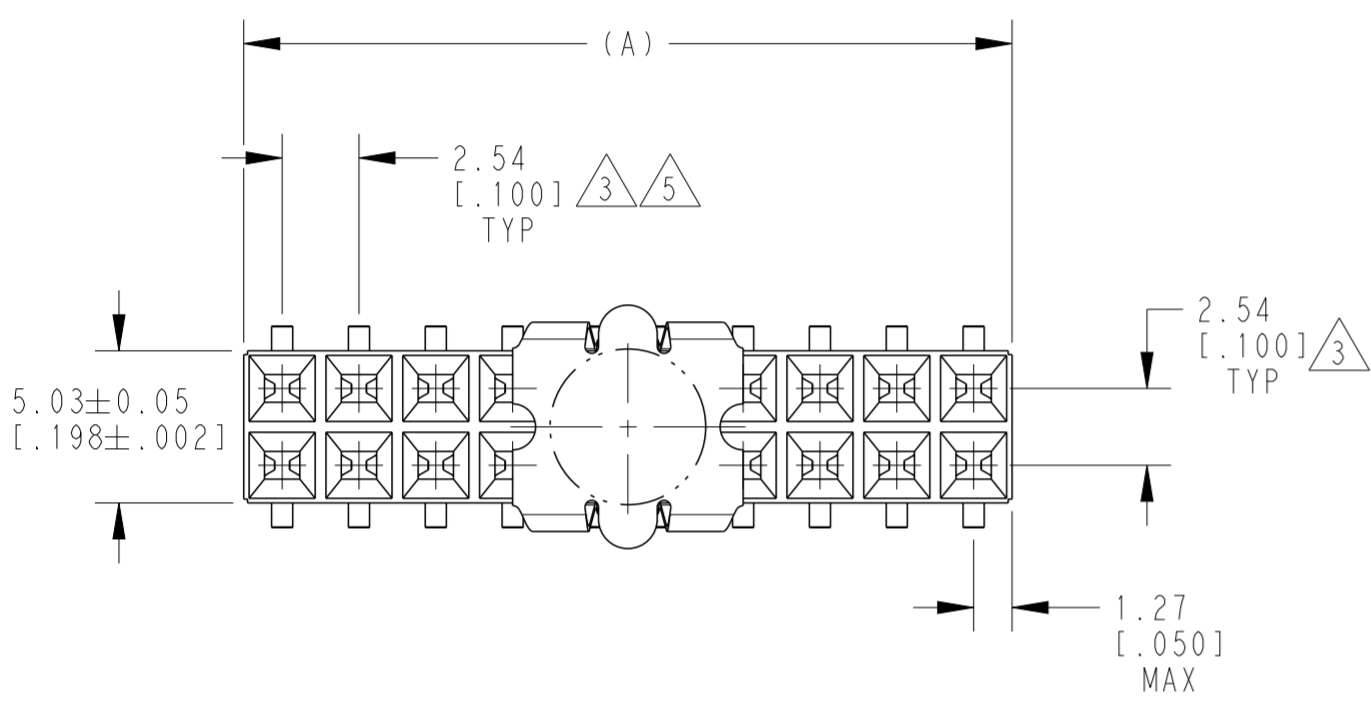
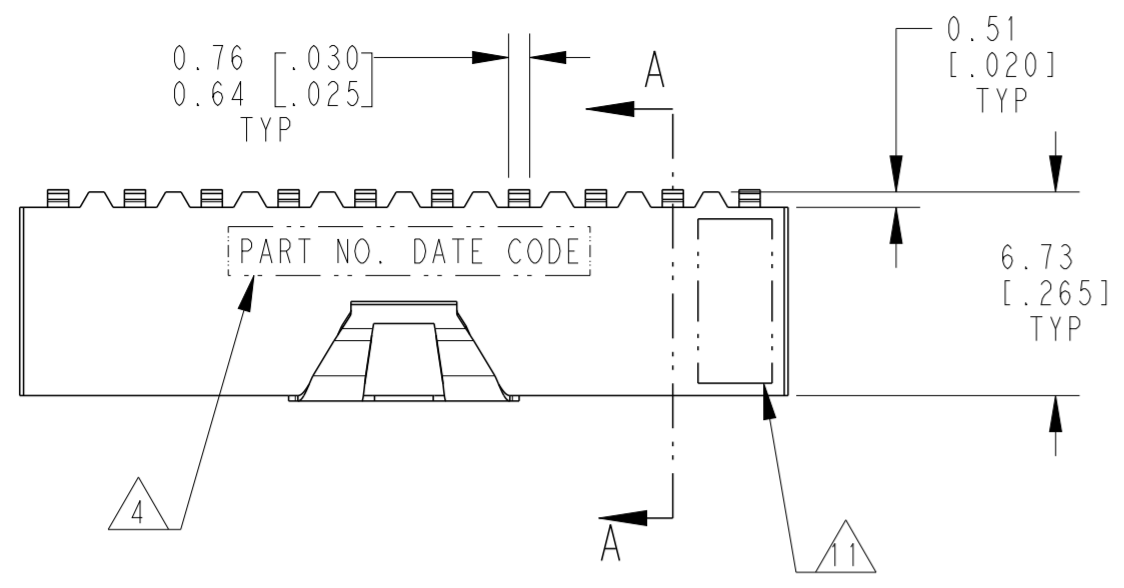


REVISIONS					
P	LTR	DESCRIPTION	DATE	DWN	APVD
K		RESIN SUPPLIER CHANGE FOR THE HOUSING	03DEC2021	SCB	KJK
L		RIB FEATURE IS ADDED IN THE STANDOFF FEATURE	19FEB2026	RS	GVP

FOR PART NUMBERS 5-147105-1 THRU 9-147105-0
SEE SHEET 2



RECOMMENDED PC BOARD LAYOUT
0.201(.008) THICK STENCIL

FINISH	EIA TAPE WIDTH	B	A	NO. OF POSN	PART NUMBER
	120mm	99.06[3.900]	101.60[4.000]	80	4-147105-0
		96.52[3.800]	99.06[3.900]	78	3-147105-9
		93.98[3.700]	96.52[3.800]	76	3-147105-8
		91.44[3.600]	93.98[3.700]	74	3-147105-7
		88.90[3.500]	91.44[3.600]	72	3-147105-6
		86.36[3.400]	88.90[3.500]	70	3-147105-5
		83.82[3.300]	86.36[3.400]	68	3-147105-4
		81.28[3.200]	83.82[3.300]	66	3-147105-3
		78.74[3.100]	81.28[3.200]	64	3-147105-2
		76.20[3.000]	78.74[3.100]	62	3-147105-1
		73.66[2.900]	76.20[3.000]	60	3-147105-0
		71.12[2.800]	73.66[2.900]	58	2-147105-9
		68.58[2.700]	71.12[2.800]	56	2-147105-8
	88mm	66.04[2.600]	68.58[2.700]	54	2-147105-7
		63.50[2.500]	66.04[2.600]	52	2-147105-6
		60.96[2.400]	63.50[2.500]	50	2-147105-5
		58.42[2.300]	60.96[2.400]	48	2-147105-4
		55.88[2.200]	58.42[2.300]	46	2-147105-3
		53.34[2.100]	55.88[2.200]	44	2-147105-2
		50.80[2.000]	53.34[2.100]	42	2-147105-1
		48.26[1.900]	50.80[2.000]	40	2-147105-0
	72mm	45.72[1.800]	48.26[1.900]	38	1-147105-9
		43.18[1.700]	45.72[1.800]	36	1-147105-8
		40.64[1.600]	43.18[1.700]	34	1-147105-7
		38.10[1.500]	40.64[1.600]	32	1-147105-6
		35.56[1.400]	38.10[1.500]	30	1-147105-5
		33.02[1.300]	35.56[1.400]	28	1-147105-4
		30.48[1.200]	33.02[1.300]	26	1-147105-3
		27.94[1.100]	30.48[1.200]	24	1-147105-2
		25.40[1.000]	27.94[1.100]	22	1-147105-1
	44mm	22.86[.900]	25.40[1.000]	20	1-147105-0
		20.32[.800]	22.86[.900]	18	147105-9
		17.78[.700]	20.32[.800]	16	147105-8
		15.24[.600]	17.78[.700]	14	147105-7
		12.70[.500]	15.24[.600]	12	147105-6
		10.16[.400]	12.70[.500]	10	147105-5
		7.62[.300]	10.16[.400]	8	147105-4
		5.08[.200]	7.62[.300]	6	147105-3
		2.54[.100]	5.08[.200]	4	147105-2
	24mm		2.54[.100]	2	147105-1

THIS DRAWING IS A CONTROLLED DOCUMENT.

DIMENSIONS: mm [INCHES]

TOLERANCES UNLESS OTHERWISE SPECIFIED:

0 PLC	±
1 PLC	±
2 PLC	±0.13[.005]
3 PLC	±
4 PLC	±
ANGLES	±
FINISH	SEE TABLE

MATERIAL: 1

APVD: J. OLSON 06NOV02

CHK: J. OLSON 06NOV02

DWN: M. BINNER 06NOV02

PRODUCT SPEC: 108-25022

APPLICATION SPEC: 114-25018

WEIGHT: -

CUSTOMER DRAWING

SCALE: 5:1

SHEET: 1 OF 2

REV: L

NAME: RECEPTACLE ASSEMBLY, MOD IV, DOUBLE ROW, DUAL ENTRY, .100X.100CL, SURFACE MOUNT, AMPMODU

SIZE: A2

CAGE CODE: 00779

DRAWING NO: C-147105

RESTRICTED TO: -

TE Connectivity

