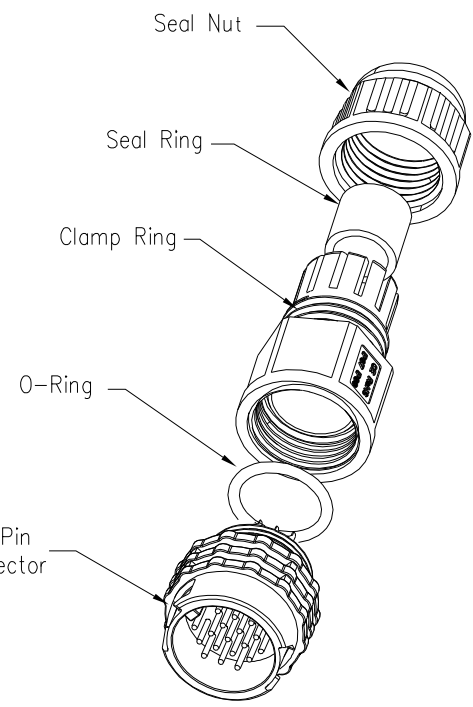
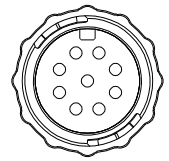
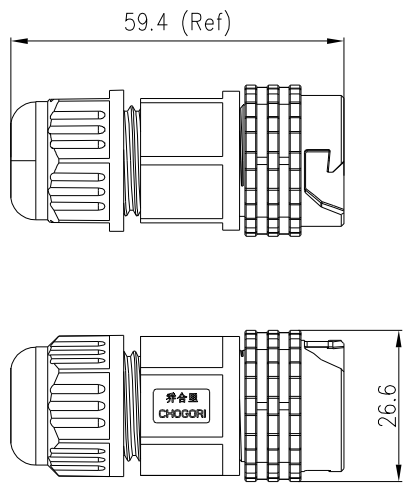


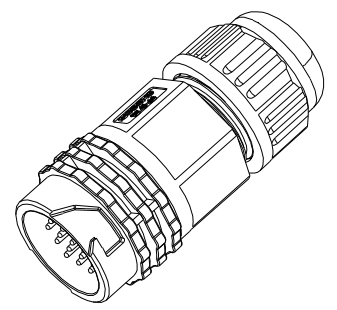
REV.	ECN NO.	DESCRIPTION	SIGN	DATE
C1	N/A	INITIAL DRAWING	Liu	2020/04/30



- Specification:
1. Operation Temperature: -45°C~105°C.
 2. Insulation Resistance: 100MΩ at DC500V.
 3. Contact Resistance: <10mΩ
 4. Withstand Voltage: 1500V AC
 5. Operating Current: 5A
 6. Operating Voltage: AC 125V
 7. Waterproof Rate: IP67 (Mated)
 8. Seal Nut: Nylon, Black
 9. Seal Ring: Silicon, Black.
 10. Clamp Ring: Nylon, Black
 11. O-Ring: Silicon, Red
 12. Male Pin: Copper Alloy, Gold Plated
 13. Connector: Nylon+GF, Black
 14. RoHS Compliant.
 15. Mating Cap: 806-00059-00

24XXX331-XX Cable Range OD
 01 OD: φ5.5mm~φ6.5mm
 02 OD: φ8.0mm~φ10.5mm
 Pin Number

9 Pin	18 Pin
P/N: 24009331-0X	P/N: 24018331-0X
Pin Assignments Front View	



CHOGORI

UNIT:mm	DESCRIPTION	PART NO	DRAWN BY	DATE
TOLERANCE .X ±0.25 .XX ±0.15 .XXX ±0.05 ANGLES ±1°	Large Series Push Lock Female Plug With Male Pin	24XXX331-XX	Liu	2020/04/30
SCALE: 1:1	SHEET 1 OF 1	DWG NO	CHECKED BY	DATE
REV. C1	SIZE A4		Mo	2020/04/30
	* : Inspection Item	CUSTOMER	APPROVED BY	DATE
			Adley	2020/04/30

THIS INFORMATION IS CONFIDENTIAL AND IS DISCLOSED TO YOU ON CONDITION THAT NO FURTHER DISCLOSURE IS MADE BY YOU TO OTHER THAN CHOGORI PERSONNEL WITHOUT AUTHORIZATION FROM CHOGORI CORP.