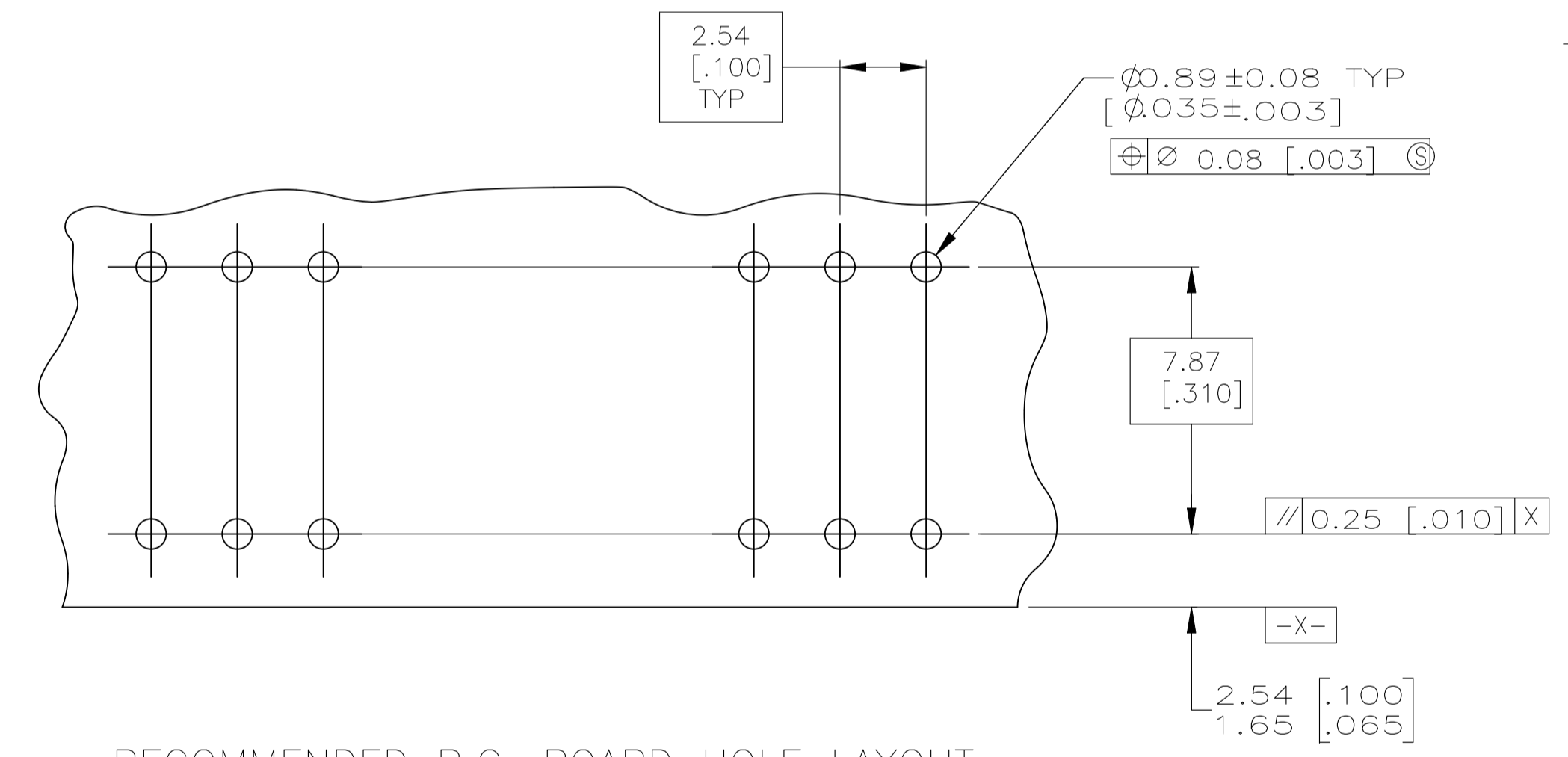
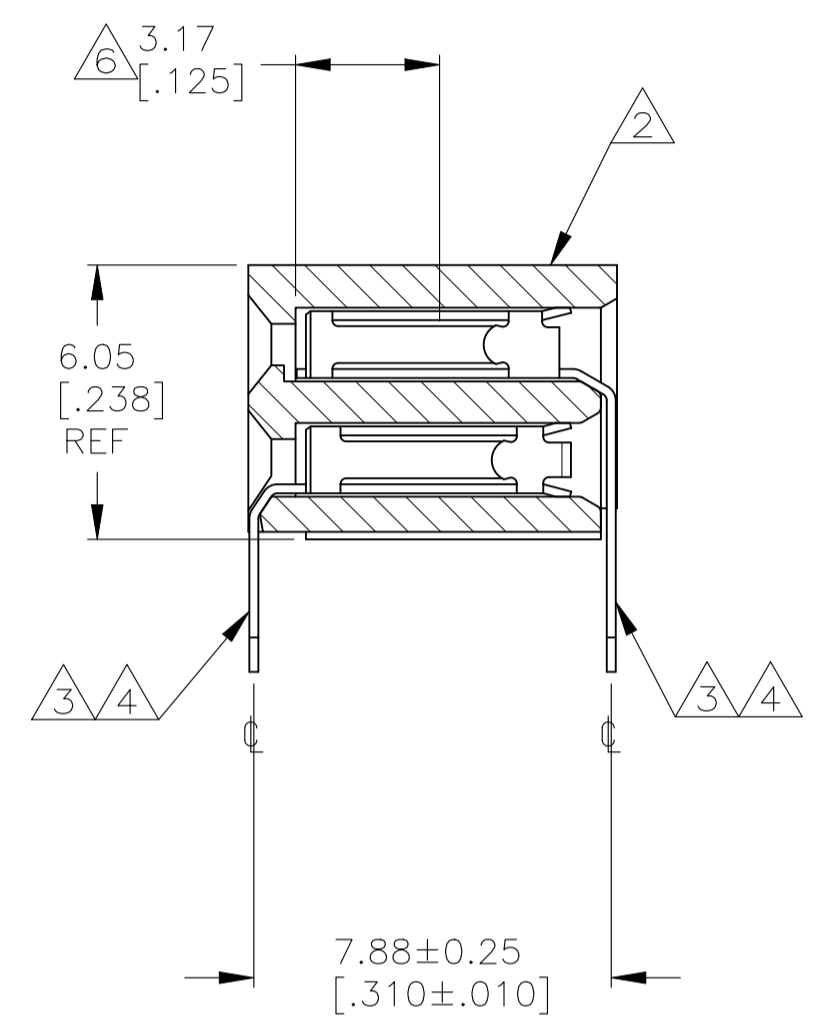
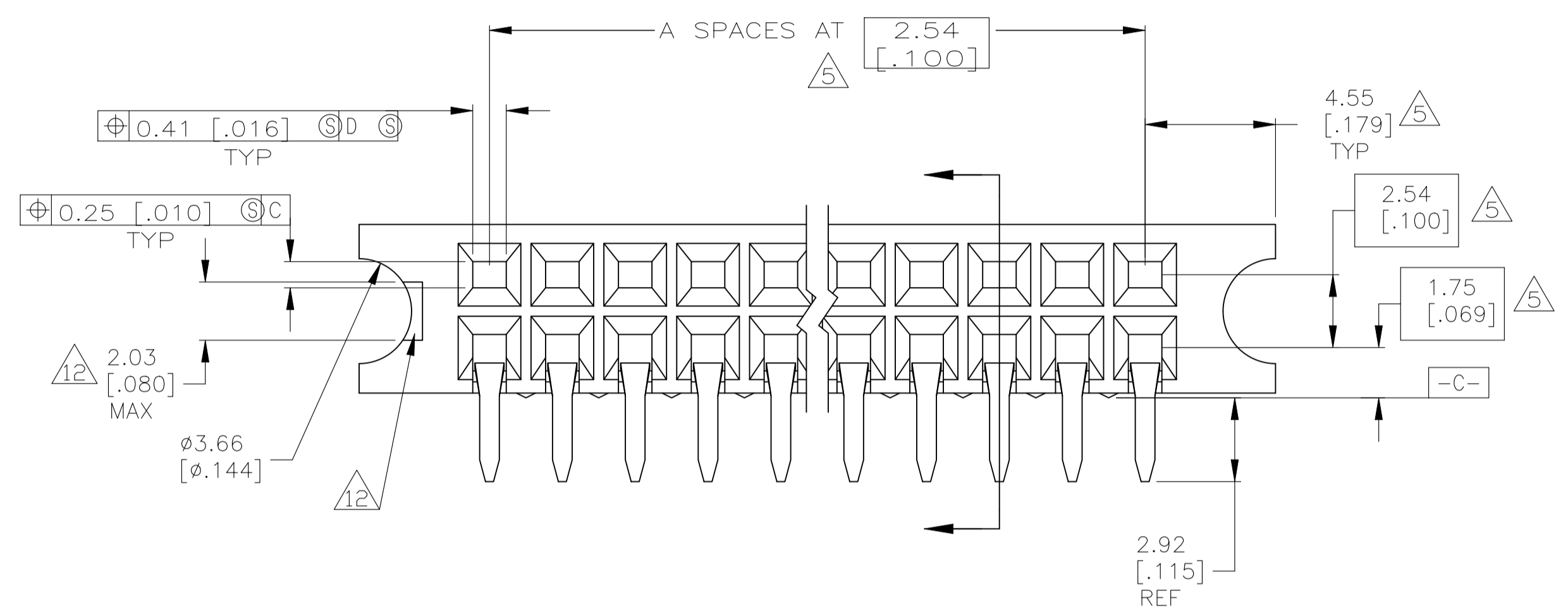
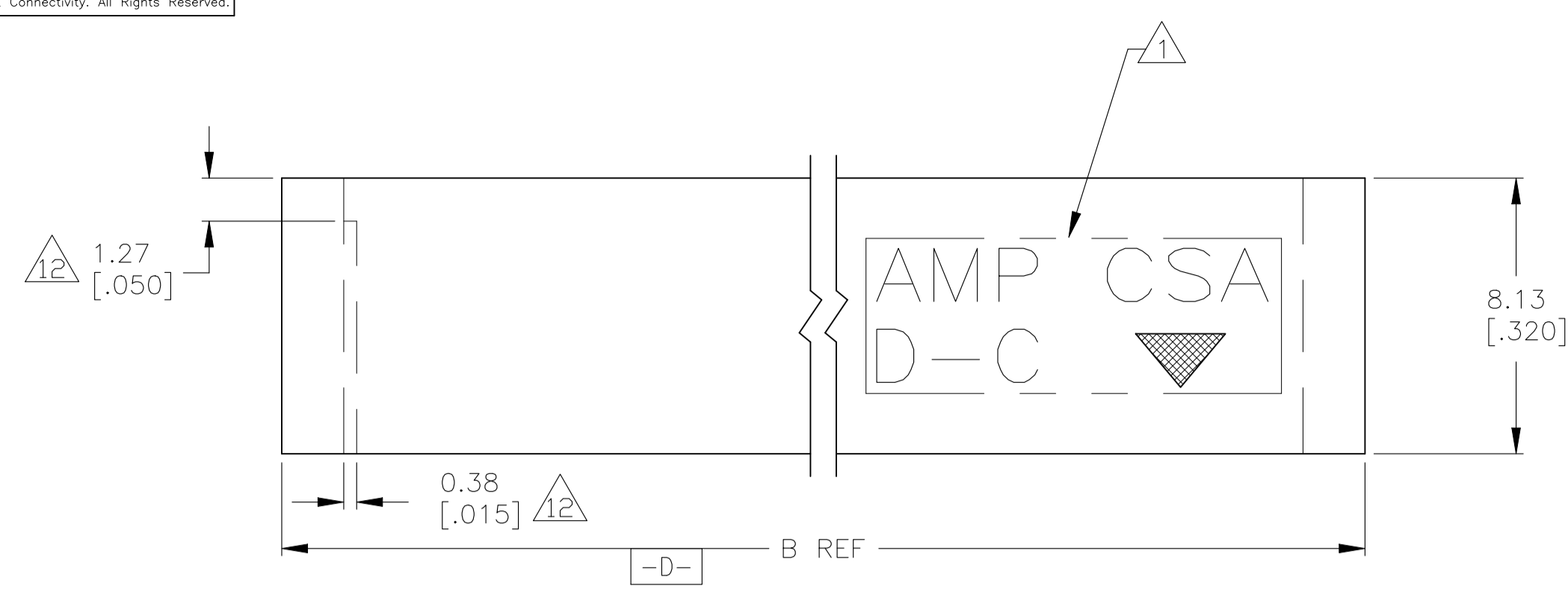


REVISIONS				
REV	DATE	BY	APPV	DESCRIPTION
U1	10APR2025	ABS	PS	ECR-25-238910



RECOMMENDED P.C. BOARD HOLE LAYOUT

11 CONTACT FINISH: DUPLEX PLATED 0.00038 [.000015] GOLD IN CONTACT AREA, 0.00127-0.00254 [.000050-.000100] BRIGHT TIN-LEAD ON SOLDER TAILS, ALL OVER 0.00127 [.000050] NICKEL.

12 RECESSED AREA AROUND MOLD GATE IS OPTIONAL. THIS FEATURE IS ALLOWABLE ON EITHER SIDE OF HOUSING OR MAY NOT BE PRESENT AT ALL.

13 OBSOLETE PARTS: OBSOLETE CIS STREAMLINING PER D.RENAUD/D.SINISI

14 SUPERSEDED BY 5-532955-4

15 SUPERSEDED BY 5-532955-5

16 SUPERSEDED BY 5-532955-6

17 SUPERSEDED BY 5-532955-8

18 SUPERSEDED BY 6-532955-0

19 SUPERSEDED BY 6-532955-2

20 SUPERSEDED BY 5-532955-1

FINISH	B	A	NO OF POSN	PART NUMBER
13	19.25 [.758]	4	10	108-532955-1
13	34.49 [1.358]	10	22	108-532955-0
13	47.19 [1.858]	15	32	107-532955-9
13	235.15 [9.258]	89	180	107-532955-8
13	209.75 [8.258]	79	160	107-532955-7
13	125.93 [4.958]	46	94	107-532955-6
13	24.33 [.958]	6	14	107-532955-5
13	62.43 [2.458]	21	44	107-532955-4
13	260.55 [10.258]	99	200	107-532955-3
13	194.51 [7.658]	73	148	107-532955-2
13	184.35 [7.258]	69	140	107-532955-1
13	171.65 [6.758]	64	130	107-532955-0
13	169.11 [6.658]	63	128	106-532955-9
13	158.95 [6.258]	59	120	106-532955-8
13	146.25 [5.758]	54	110	106-532955-7
13	133.55 [5.258]	49	100	106-532955-6
13	128.47 [5.058]	47	96	106-532955-5
13	120.85 [4.758]	44	90	106-532955-4
13	113.23 [4.558]	42	86	106-532955-3
13	108.15 [4.258]	39	80	106-532955-2
13	97.99 [3.858]	35	72	106-532955-1
13	95.45 [3.758]	34	70	106-532955-0
13	82.75 [3.258]	29	60	105-532955-9
13	70.05 [2.758]	24	50	105-532955-8
13	57.35 [2.258]	19	40	105-532955-7
13	52.27 [2.058]	17	36	105-532955-6
13	44.65 [1.758]	14	30	105-532955-5
13	37.03 [1.458]	11	24	105-532955-4
13	31.95 [1.258]	9	20	105-532955-3
13	26.87 [1.058]	7	16	105-532955-2
13	21.79 [.858]	5	12	105-532955-1

FINISH	B	A	NO OF POSN	PART NUMBER
10	21.79 [.858]	5	12	3-532955-2
10	19.25 [.758]	4	10	3-532955-1
10	34.49 [1.358]	10	22	3-532955-0
10	47.19 [1.858]	15	32	2-532955-9
10	235.15 [9.258]	89	180	2-532955-8
10	209.75 [8.258]	79	160	2-532955-7
10	125.93 [4.958]	46	94	2-532955-6
10	24.33 [.958]	6	14	2-532955-5
10	62.43 [2.458]	21	44	2-532955-4
10	260.55 [10.258]	99	200	2-532955-3
10	194.51 [7.658]	73	148	2-532955-2
10	184.35 [7.258]	69	140	2-532955-1
10	171.65 [6.758]	64	130	2-532955-0
10	169.11 [6.658]	63	128	1-532955-9
10	158.95 [6.258]	59	120	1-532955-8
10	146.25 [5.758]	54	110	1-532955-7
10	133.55 [5.258]	49	100	1-532955-6
10	128.47 [5.058]	47	96	1-532955-5
10	120.85 [4.758]	44	90	1-532955-4
10	113.23 [4.558]	42	86	1-532955-3
10	108.15 [4.258]	39	80	1-532955-2
10	97.99 [3.858]	35	72	1-532955-1
10	95.45 [3.758]	34	70	1-532955-0
10	82.75 [3.258]	29	60	532955-9
10	70.05 [2.758]	24	50	532955-8
10	57.35 [2.258]	19	40	532955-7
10	52.27 [2.058]	17	36	532955-6
10	44.65 [1.758]	14	30	532955-5
10	37.03 [1.458]	11	24	532955-4
10	31.95 [1.258]	9	20	532955-3
10	26.87 [1.058]	7	16	532955-2
10	21.79 [.858]	5	12	532955-1

1 "AMP", "CSA", "▼" AND "DATE CODE" WITH .062 ±.015 HIGH CHARACTERS WHERE SIZE PERMITS.

2 HOUSING: LCP MATERIAL

3 CONTACT: PHOSPHOR BRONZE.

4 CONTACT FINISH: DUPLEX PLATED 0.00038 [.000015] GOLD IN CONTACT AREA, 0.00127-0.00254 [.000050-.000100] BRIGHT TIN-LEAD ON SOLDER TAILS, ALL OVER 0.00127 [.000050] NICKEL.

5 THESE DIMENSIONS PERTAIN TO CAVITY C'S ONLY, NOT TO CONTACT LOCATIONS.

6 POINT OF MEASUREMENT FOR PLATING THICKNESS (INSIDE CONTACT BEAMS).

7. CSA LOGO INK STAMPED WHITE ON HOUSING.

8 CONTACT FINISH: DUPLEX PLATED 0.00038 [.000015] GOLD IN CONTACT AREA, 0.00127-0.00254 [.000050-.000100] BRIGHT TIN ON SOLDER TAILS, ALL OVER 0.00127 [.000050] NICKEL.

9 SUPERSEDED BY 5-532955-1.

10 ROHS 2002/95/EC COMPLIANT

THIS DRAWING IS A CONTROLLED DOCUMENT. DIN 377/91
K.L.CLOUSER/UTA
05-14-91

TE Connectivity

DIMENSIONS: mm [INCHES]	TOLERANCES UNLESS OTHERWISE SPECIFIED:	APPROVED: D SARVER	RECEIVED: NAME
0. PLC ± .01	1. PLC ± .01	2. PLC ± .01	3. PLC ± .01
4. PLC ± .01	ANGLES ± .01	PRODUCT SPEC	ASSY, MOD II, DBL ROW, 2.54 X 2.54 [.100 X .100] GUIDE PIN EARS
MATERIAL: 2 3	SEE TABLE	APPLICATION SPEC	SIZE: A1
		WEIGHT: --	CAGE CODE: 00779
		CUSTOMER DRAWING	DRAWING NO: 532955

SCALE: 6:1 SHEET 1 of 1 REV 1