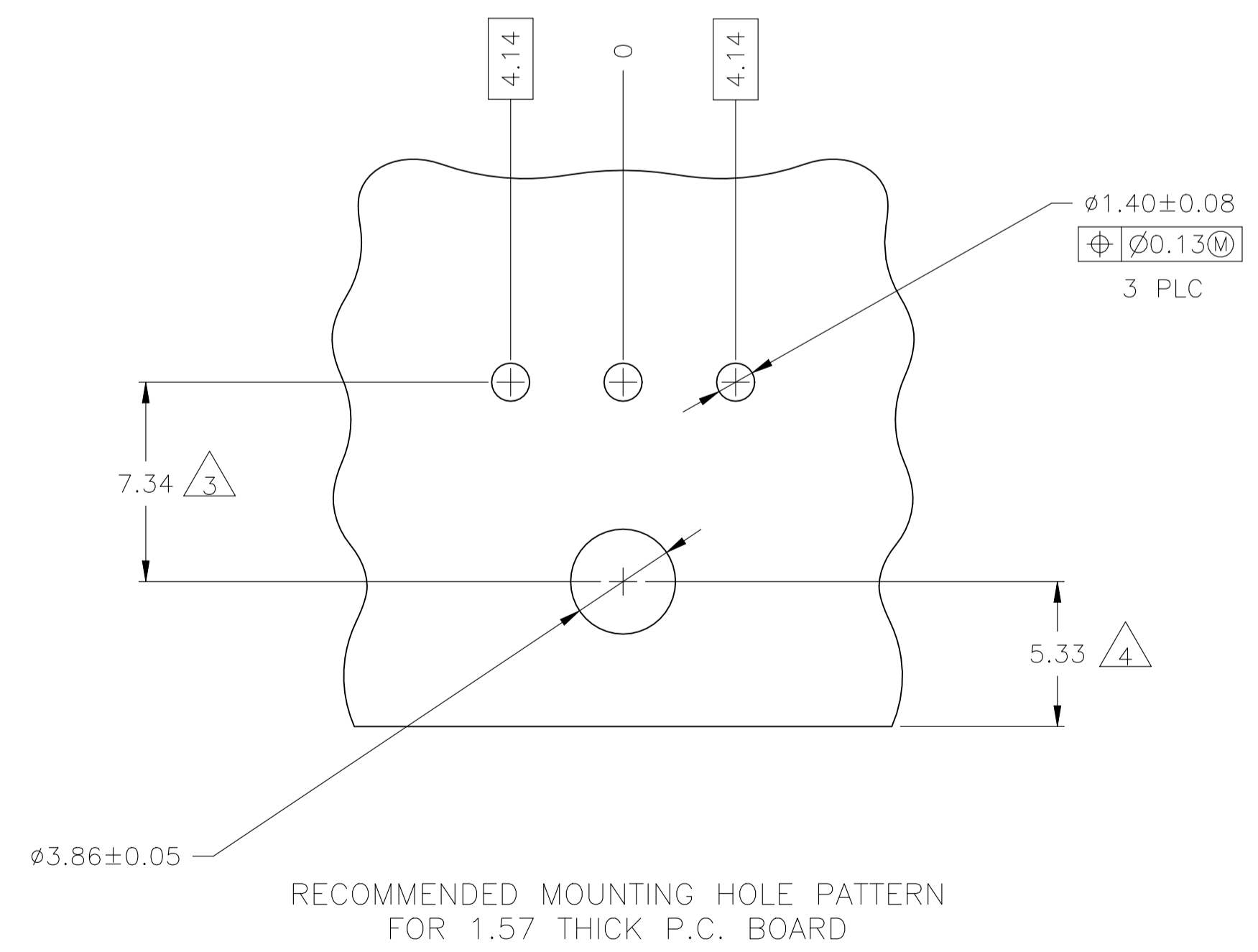
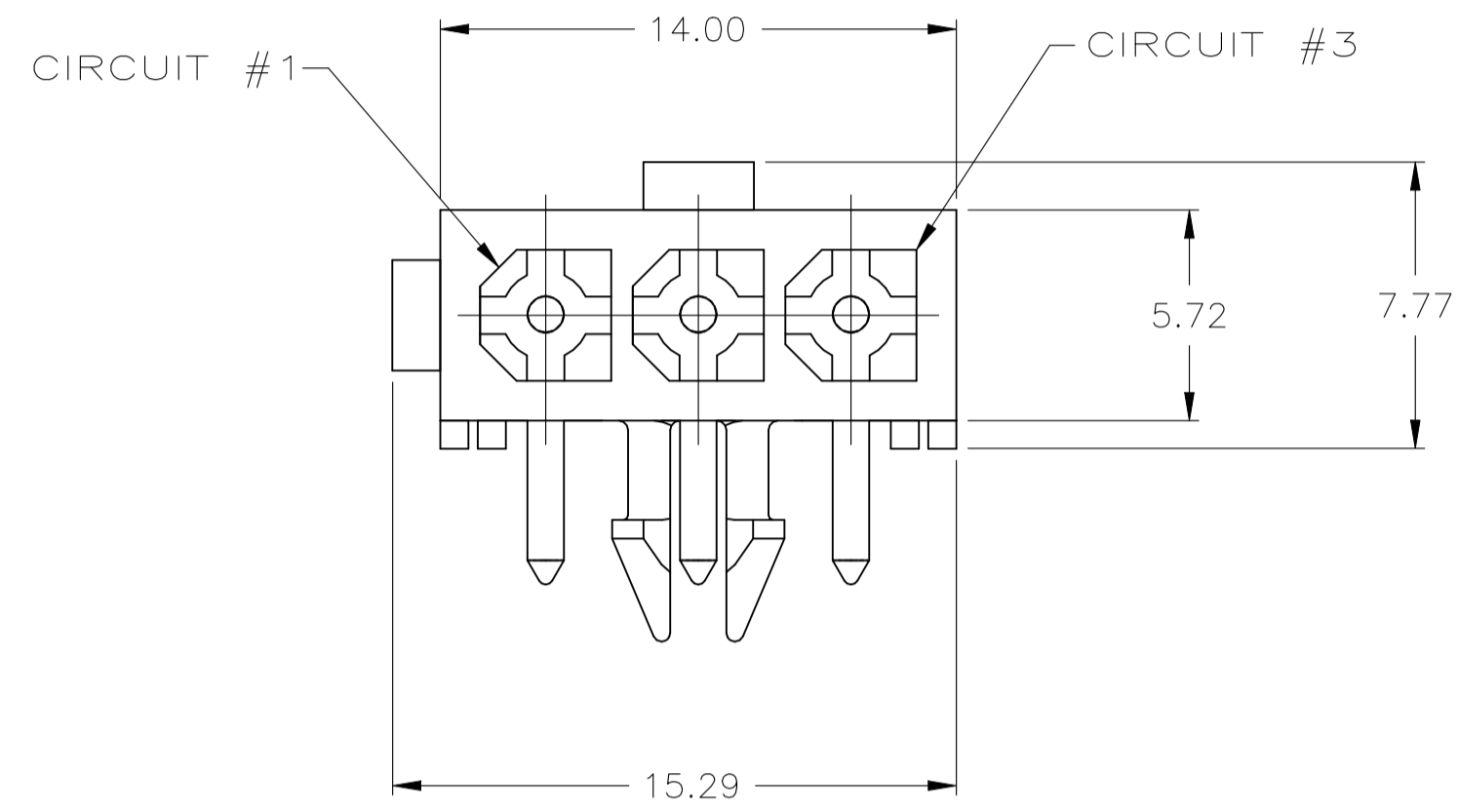
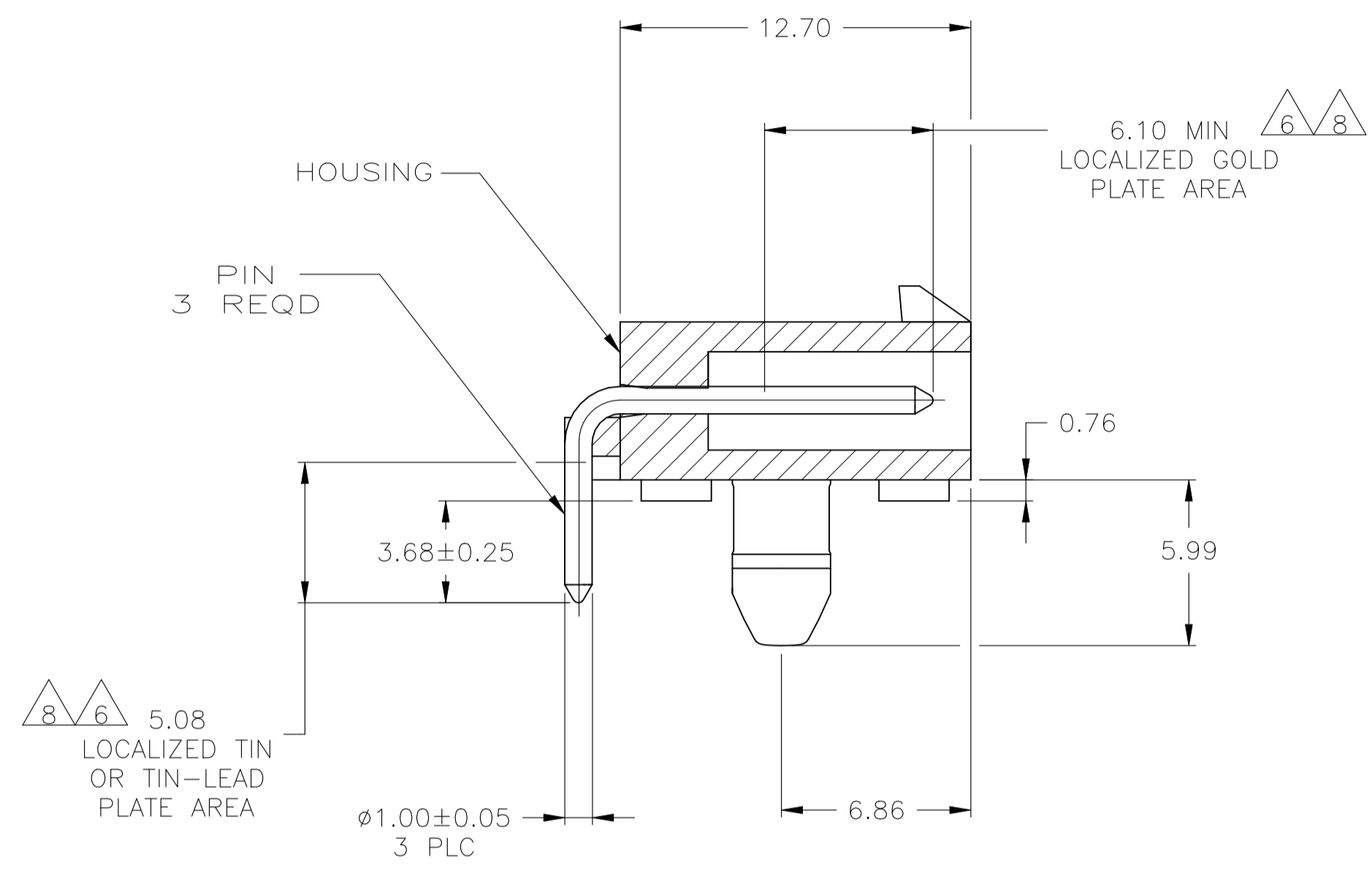


REVISIONS					
REV	DATE	DESCRIPTION	BY	CHK	APPV
G3	23OCT2024	REVISED PER ECR-23-188565	TB	JP	

- PINS TO COMPLY WITH AMP SOLDERABILITY SPEC 109-11-3.
- MATES WITH PLUG P/N 172166-1.
- COORDINATE DIMENSION APPLIES FROM CENTER OF ACTUAL FEATURE.
- RECOMMENDED FOR EDGE MOUNTING.
- 0.00381 MIN MATTE TIN LEAD OVER 0.00127 MIN NICKEL ENTIRE LENGTH OF PIN.
- 0.00076 MIN GOLD PLATE IN THE LOCALIZED PLATE AREA, 0.00381 MIN MATTE TIN LEAD IN THE LOCALIZED PLATE AREA, BOTH OVER 0.00127 MIN NICKEL.
- 0.00381 MIN MATTE TIN OVER 0.00127 MIN NICKEL ENTIRE LENGTH OF PIN.
- 0.00076 MIN GOLD PLATE IN THE LOCALIZED GOLD PLATE AREA, 0.00381 MIN MATTE TIN IN THE LOCALIZED TIN PLATE AREA, BOTH OVER 0.00127 MIN NICKEL.



MM	IN	MM	IN
1.57	.062	14.00	.551
1.40	.055	12.70	.500
1.00	.039	7.34	.289
0.76	.030	6.86	.270
0.25	.010	5.99	.236
0.13	.005	5.72	.225
0.08	.003	5.33	.210
0.05	.002	5.08	.200
0.00381	.000150	4.14	.163
0.00127	.000050	3.86	.152
0.00076	.000030	3.68	.145

CONVERSION TABLE

MATERIAL	PIN FINISH	MATERIAL	HOUSING COLOR	PART NO.
BRASS	8	NYLON, UL94V-0	WHITE	1-770967-1
BRASS	7	NYLON, UL94V-0	WHITE	1-770967-0
SUPERSEDED WITH 1-770967-1	6	NYLON, UL94V-0	WHITE	770967-2
SUPERSEDED WITH 1-770967-0	5	NYLON, UL94V-0	WHITE	770967-1

THIS DRAWING IS A CONTROLLED DOCUMENT.

DRAWN: S. CARPENTER	DATE: 24JUL03	TE Connectivity
CHK: C. JONES	DATE: 24JUL03	
APPROV: C. JONES	DATE: 24JUL03	NAME: HEADER ASSEMBLY, RIGHT ANGLE, WITH SHORT PEG, 3 CIRCUIT, MINI UNIVERSAL MATE-N-LOK(TM)
DIMENSIONS: mm	TOLERANCES UNLESS OTHERWISE SPECIFIED:	SIZE: A1
0 PLC ± -	1 PLC ± -	SCALE: 5:1
2 PLC ± -	3 PLC ± 0.13	SHEET 1 of 1
4 PLC ± -	ANGLES ± -	REV G3

CUSTOMER DRAWING