

5-146280-4 ✓ ACTIVE

AMPMODU

TE Internal #: 5-146280-4

PCB Mount Header, Vertical, Board-to-Board, 4 Position, 2.54 mm [.1 in] Centerline, Breakaway, Gold, Through Hole - Solder, Signal, Black, Carton

[View on TE.com >](#)



Connectors > PCB Connectors > PCB Headers & Receptacles



EU RoHS Compliance: **Compliant**

EU ELV Compliance: **Compliant**

PCB Connector Assembly Type: **PCB Mount Header**

PCB Mount Orientation: **Vertical**

Connector System: **Board-to-Board**

Features

Other

EU RoHS Compliance Compliant

EU ELV Compliance Compliant

Product Type Features

PCB Connector Assembly Type PCB Mount Header

Connector System Board-to-Board

Header Type Breakaway

Sealable No

Connector & Contact Terminates To Printed Circuit Board

Configuration Features

Board-to-Board Configuration Parallel

PCB Mount Orientation Vertical

Number of Positions 4

Number of Rows 1

Body Features

Primary Product Color Black

Contact Features

Contact Shape & Form Square

PCB Contact Termination Area Plating Material Thickness 2.54 – 5.08 μm [100 – 200 μin]



Contact Underplating Material	Nickel
Contact Base Material	Copper Alloy
Contact Underplating Material Thickness	1.27 μm [50 μin]
PCB Contact Termination Area Plating Material	Tin
PCB Contact Termination Area Plating Material Finish	Matte
Contact Mating Area Plating Material Thickness	.38 μm [15 μin]
Contact Mating Area Plating Material	Gold
Contact Type	Pin
Contact Current Rating (Max)	3 A

Termination Features

Termination Method to PCB	Through Hole - Solder
---------------------------	-----------------------

Mechanical Attachment

PCB Mount Retention	Without
PCB Mount Alignment	Without
Connector Mounting Type	Board Mount
Mating Alignment	Without

Housing Features

Housing Material	LCP
Centerline (Pitch)	2.54 mm[.1 in]

Dimensions

PCB Thickness (Recommended)	1.6 mm[.063 in]
-----------------------------	-----------------

Usage Conditions

Operating Temperature Range	-65 – 105 $^{\circ}\text{C}$ [-85 – 221 $^{\circ}\text{F}$]
-----------------------------	--

Operation/Application

Circuit Application	Signal
---------------------	--------

Industry Standards

UL Flammability Rating	UL 94V-0
------------------------	----------

Packaging Features

Packaging Method	Carton
------------------	--------

Product Compliance

[For compliance documentation, visit the product page on TE.com>](#)

EU RoHS Directive 2011/65/EU	Compliant
EU ELV Directive 2000/53/EC	Compliant
China RoHS 2 Directive MIIT Order No 32, 2016	No Restricted Materials Above Threshold
EU REACH Regulation (EC) No. 1907/2006	Current ECHA Candidate List: JUNE 2024 (241) Candidate List Declared Against: JUNE 2024 (241) Does not contain REACH SVHC
Halogen Content	Low Bromine/Chlorine - Br and Cl < 900 ppm per homogenous material. Also BFR /CFR/PVC Free
Solder Process Capability	Pin-in-Paste capable to 260°C

Product Compliance Disclaimer

This information is provided based on reasonable inquiry of our suppliers and represents our current actual knowledge based on the information they provided. This information is subject to change. The part numbers that TE has identified as EU RoHS compliant have a maximum concentration of 0.1% by weight in homogenous materials for lead, hexavalent chromium, mercury, PBB, PBDE, DBP, BBP, DEHP, DIBP, and 0.01% for cadmium, or qualify for an exemption to these limits as defined in the Annexes of Directive 2011/65/EU (RoHS2). Finished electrical and electronic equipment products will be CE marked as required by Directive 2011/65/EU. Components may not be CE marked. Additionally, the part numbers that TE has identified as EU ELV compliant have a maximum concentration of 0.1% by weight in homogenous materials for lead, hexavalent chromium, and mercury, and 0.01% for cadmium, or qualify for an exemption to these limits as defined in the Annexes of Directive 2000/53/EC (ELV). Regarding the REACH Regulation, the information TE provides on SVHC in articles for this part number is based on the latest European Chemicals Agency (ECHA) 'Guidance on requirements for substances in articles' posted at this URL: <https://echa.europa.eu/guidance-documents/guidance-on-reach>

Compatible Parts



Customers Also Bought



TE Part #3-644042-4
04P MTA100 CONN ASSY LF



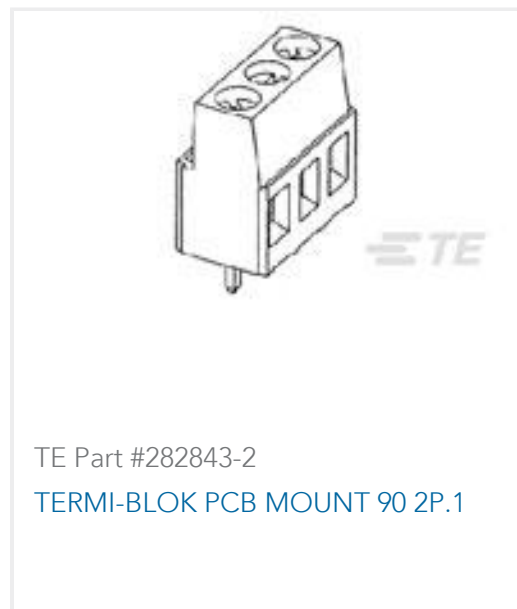
TE Part #2-1393243-4
RTE25524



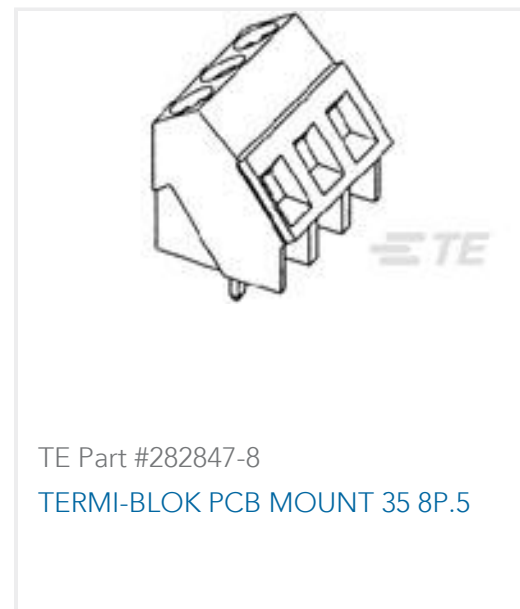
TE Part #62850-1
110 FASTON REC 20-18 AWG TPBR



TE Part #1827684-1
2mm pitch Battery Rec. Assy. 7Pos.
H=4.0



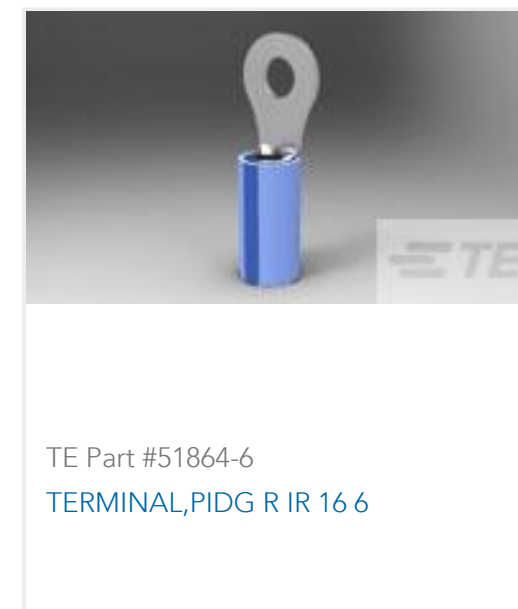
TE Part #282843-2
TERMI-BLOK PCB MOUNT 90 2P.1



TE Part #282847-8
TERMI-BLOK PCB MOUNT 35 8P.5



TE Part #5-146280-5
05 MODII HDR SRST B/A .100CL



TE Part #51864-6
TERMINAL,PIDG R IR 16 6



TE Part #5-146280-3
03 MODII HDR SRST B/A .100CL



TE Part #62505-1
PIN 130 22-18 AWG .0157 X 1.020 BR

Documents

CAD Files

3D PDF

3D

Customer View Model

[ENG_CVM_CVM_5-146280-4_D.2d_dxf.zip](#)

English

Customer View Model

[ENG_CVM_CVM_5-146280-4_D.3d_igs.zip](#)

English

Customer View Model

[ENG_CVM_CVM_5-146280-4_D.3d_stp.zip](#)

English

By downloading the CAD file I accept and agree to the [Terms and Conditions](#) of use.