

1217497-1 ✓ ACTIVE



## MAG-MATE

TE Internal #: 1217497-1

Tab, Mating Tab Width 4.75 mm [.02 in], Size 1, .36 – .51 mm

Magnet Wire, 27 – 24 AWG Magnet Wire, MAG-MATE, Magnet Wire Terminals

[View on TE.com >](#)

Terminals & Splices > Magnet Wire Terminals



Magnet Wire Terminal Type: **Tab**

Mating Tab Width: **4.75 mm [.02 in]**

Mating Tab Thickness: **.5 mm [.02 in]**

Compatible With Cavity Size: **Size 1**

Magnet Wire Size: **27 – 24 AWG**

### Features

#### Contact Features

Magnet Wire Terminal Type	Tab
Mating Tab Width	4.75 mm [.02 in]
Mating Tab Thickness	.5 mm [.02 in]
Terminal Plating Material	Tin
Terminal Orientation	Straight

#### Body Features

Compatible With Cavity Size	Size 1
-----------------------------	--------

#### Dimensions

Magnet Wire Size	.36 – .51 mm
Stock Thickness (Magnet Wire Side)	.41 mm [.016 in]
Product Length	19.31 mm [.76 in]
Terminal Height	19.31 mm [.76 in]

#### Termination Features

Termination Method to Wire & Cable	Insulation Displacement (IDC)
------------------------------------	-------------------------------



### Packaging Features

Packaging Method	Reel/Carton, Reel
------------------	-------------------

### Operation/Application

Compatible With Wire Base Material	Copper
------------------------------------	--------

### Product Type Features

Compatible With Discrete Wire Type	Solid, Magnet Wire
------------------------------------	--------------------

### Usage Conditions

Operating Temperature Range	-65 – 150 °C[-85 – 302 °F]
-----------------------------	----------------------------

Insulation Option	Uninsulated
-------------------	-------------

### Other

EU RoHS Compliance	Compliant
--------------------	-----------

EU ELV Compliance	Compliant
-------------------	-----------

### Product Compliance

[For compliance documentation, visit the product page on TE.com>](#)

EU RoHS Directive 2011/65/EU	Compliant
------------------------------	-----------

EU ELV Directive 2000/53/EC	Compliant
-----------------------------	-----------

China RoHS 2 Directive MIIT Order No 32, 2016	No Restricted Materials Above Threshold
---	---

EU REACH Regulation (EC) No. 1907/2006	Current ECHA Candidate List: JUNE 2024 (241) Candidate List Declared Against: JUNE 2024 (241) Does not contain REACH SVHC
--	---

Halogen Content	Low Halogen - Br, Cl, F, I < 900 ppm per homogenous material. Also BFR/CFR/PVC Free
-----------------	---

Solder Process Capability	Not applicable for solder process capability
---------------------------	--

#### Product Compliance Disclaimer

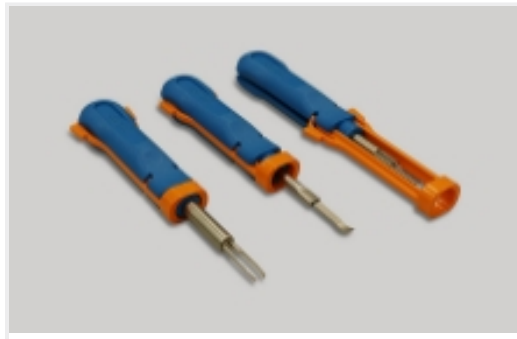
This information is provided based on reasonable inquiry of our suppliers and represents our current actual knowledge based on the information they provided. This information is subject to change. The part numbers that TE has identified as EU RoHS compliant have a maximum concentration of 0.1% by weight in homogenous materials for lead, hexavalent chromium, mercury, PBB, PBDE, DBP, BBP, DEHP, DIBP, and 0.01% for cadmium, or qualify for an exemption to these limits as defined in the Annexes of Directive 2011/65/EU (RoHS2). Finished electrical and electronic equipment products will be CE marked as required by Directive 2011/65/EU. Components may not be CE marked. Additionally, the part numbers that TE has identified as EU ELV compliant have a maximum concentration of 0.1% by weight in homogenous materials for lead, hexavalent chromium, and mercury, and 0.01% for cadmium, or qualify for an exemption to these limits as defined in the Annexes of Directive 2000/53/EC (ELV). Regarding the REACH Regulation, the information TE provides

on SVHC in articles for this part number is based on the latest European Chemicals Agency (ECHA) 'Guidance on requirements for substances in articles' posted at this URL: <https://echa.europa.eu/guidance-documents/guidance-on-reach>

## Compatible Parts



## Also in the Series | MAG-MATE



Insertion & Extraction Tools(6)



Magnet Wire Terminals(337)



PCB Terminals(1)

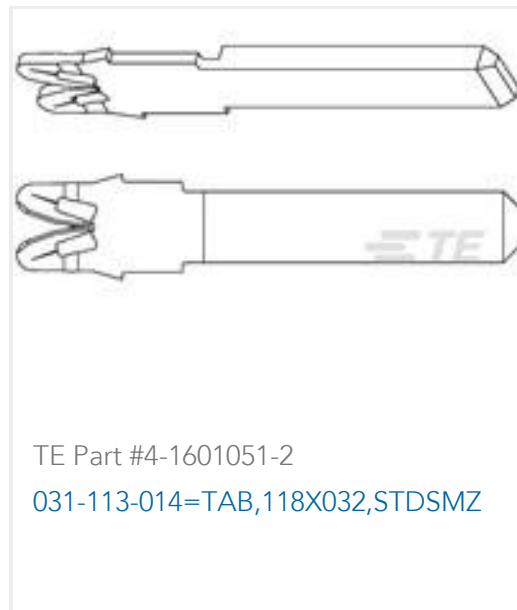
## Customers Also Bought



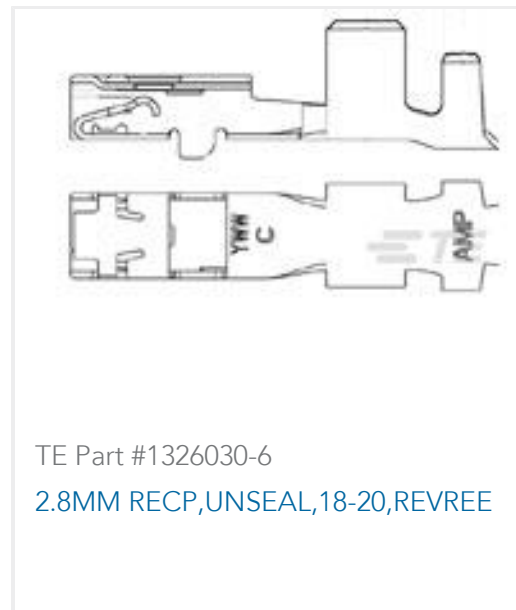
TE Part #1318772-2  
Signal Header



TE Part #2-1601119-2  
118X025 TAB FINE WIRE SIAMEZE



TE Part #4-1601051-2  
031-113-014=TAB,118X032,STD SMZ



TE Part #1326030-6  
2.8MM RECP,UNSEAL,18-20,REVREE



TE Part #2098966-1  
54 WAY SHIELD ASSEMBLY, KEY AF



TE Part #2138020-1

## Documents

### CAD Files

#### 3D PDF

3D

#### Customer View Model

[ENG\\_CVM\\_CVM\\_1217497-1\\_L1.2d\\_dxf.zip](#)

English

#### Customer View Model

[ENG\\_CVM\\_CVM\\_1217497-1\\_L1.3d\\_igs.zip](#)

English

#### Customer View Model

[ENG\\_CVM\\_CVM\\_1217497-1\\_L1.3d\\_stp.zip](#)

English

By downloading the CAD file I accept and agree to the [Terms and Conditions](#) of use.

### Datasheets & Catalog Pages

#### Magnet Wire Terminals & Splices

English



---

[Product Specifications](#)

[Application Specification](#)

English