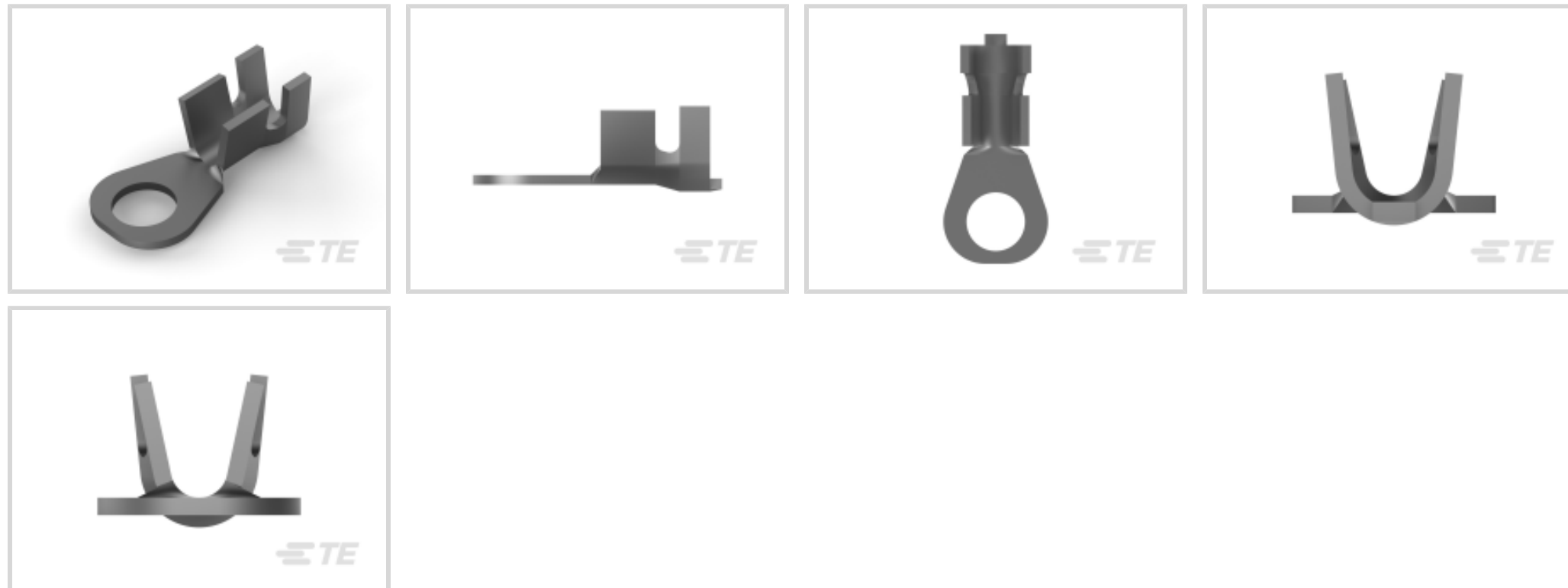




Terminals & Splices > Ring Terminals



Ring Terminal Product Type: **Closed Ring Tongue Terminal**

Wire Size: **8233 – 10382 CMA**

Stud Size: **#10**

Features

Product Type Features

Ring Terminal Product Type	Closed Ring Tongue Terminal
Stud Size	#10
Sealable	No
Compatible With Discrete Wire Type	Stranded
Wire Insulation Support Retention Type	Insulation Support
Shape Description	RING-001
Terminal Features	Sheared

Dimensions

Wire Size	8233 – 10382 CMA
Stud Diameter	5.3 mm [.209 in]
Tongue Thickness	.8 mm [.031 in]
Product Length	19 mm [.748 in]
Barrel Inside Diameter	2.92 mm, 4.14 mm [.162 in] [.114 in]
Compatible Insulation Diameter (Max)	5.31 mm [.209 in]
Compatible Insulation Diameter Range	3.2 – 5.3 mm [.15 – .209 in]

Contact Features

Barrel Type	Open
-------------	------



Terminal Orientation	Straight
Terminal Plating Material	Tin

Usage Conditions

Insulation Option	Uninsulated
Operating Temperature Range	-40 – 105 °C[-40 – 221 °F]

Operation/Application

Compatible With Wire Base Material	Copper
------------------------------------	--------

Packaging Features

Packaging Method	Strip/Reel
Packaging Quantity	5000

Other

EU RoHS Compliance	Compliant
EU ELV Compliance	Compliant

Configuration Features

Number of Holes	1
-----------------	---

Body Features

Product Weight	1.205 g
----------------	---------

Mechanical Attachment

Wire Insulation Support	With
-------------------------	------

Industry Standards

Government Qualified Terminal	No
-------------------------------	----

Product Compliance

[For compliance documentation, visit the product page on TE.com>](#)

EU RoHS Directive 2011/65/EU	Compliant
EU ELV Directive 2000/53/EC	Compliant
China RoHS 2 Directive MIIT Order No 32, 2016	No Restricted Materials Above Threshold
EU REACH Regulation (EC) No. 1907/2006	Current ECHA Candidate List: JUNE 2024 (241) Candidate List Declared Against: JUNE 2024 (241) Does not contain REACH SVHC
Halogen Content	Low Halogen - Br, Cl, F, I < 900 ppm per

homogenous material. Also BFR/CFR/PVC Free

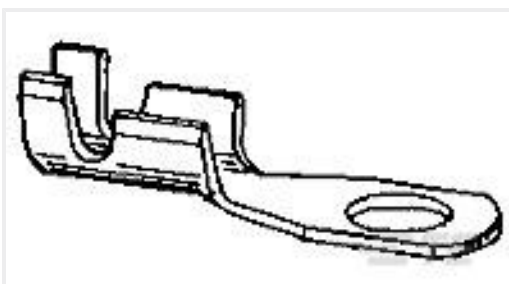
Solder Process Capability

Not applicable for solder process capability

Product Compliance Disclaimer

This information is provided based on reasonable inquiry of our suppliers and represents our current actual knowledge based on the information they provided. This information is subject to change. The part numbers that TE has identified as EU RoHS compliant have a maximum concentration of 0.1% by weight in homogenous materials for lead, hexavalent chromium, mercury, PBB, PBDE, DBP, BBP, DEHP, DIBP, and 0.01% for cadmium, or qualify for an exemption to these limits as defined in the Annexes of Directive 2011/65/EU (RoHS2). Finished electrical and electronic equipment products will be CE marked as required by Directive 2011/65/EU. Components may not be CE marked. Additionally, the part numbers that TE has identified as EU ELV compliant have a maximum concentration of 0.1% by weight in homogenous materials for lead, hexavalent chromium, and mercury, and 0.01% for cadmium, or qualify for an exemption to these limits as defined in the Annexes of Directive 2000/53/EC (ELV). Regarding the REACH Regulation, the information TE provides on SVHC in articles for this part number is based on the latest European Chemicals Agency (ECHA) 'Guidance on requirements for substances in articles' posted at this URL: <https://echa.europa.eu/guidance-documents/guidance-on-reach>

Compatible Parts



TE Part # 180455-1
TERM PLACA REDONDA 6 DIA.



TE Part # 2150639-1
OCEAN_2.0_APPLICATOR-E-180F250F-REM



TE Part # 2150639-2
OCEAN_2.0_APPLICATOR-E-180F250FA-REA



TE Part # 7-2150639-7
OCEAN_2.0_SPARE_PART_KIT-180F250F



TE Part # 881599-4
RINGUE TONGUE ANTIR

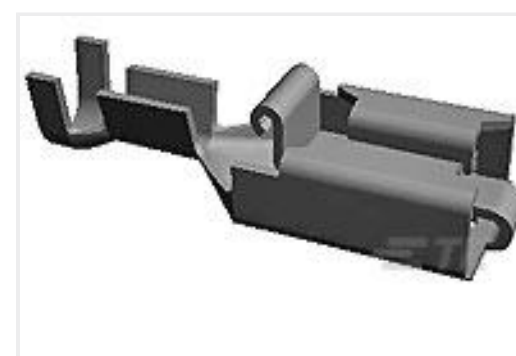
Customers Also Bought



TE Part #5-2232362-3
PTL MFBL 1X3 PLUG HSG GLW WIRE NAT



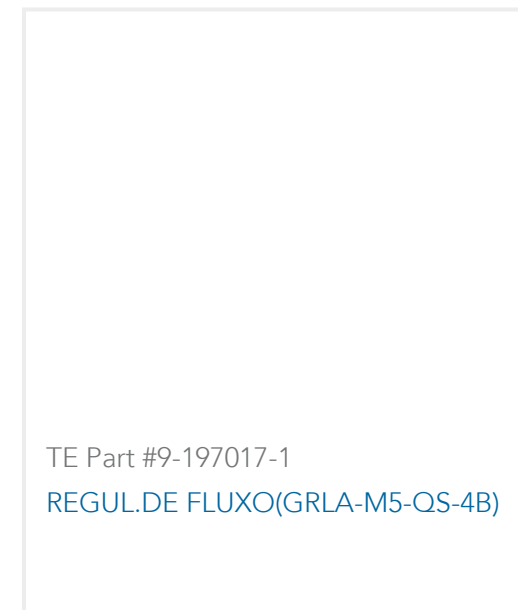
TE Part #6-735075-0
250 FASTON HSG. REC. 1P NATURAL



TE Part #880646-1
PL REC 0.5-1.0MM2 0.40 X 52.32 BR



TE Part #1-2133394-1
187 FASTON HSG.,REC.,1 POS, NATURAL



Documents

Product Drawings

RING TONGUE TERMINAL 4.0-6.0 MM2 TPBR

English

CAD Files

3D PDF

3D

Customer View Model

[ENG_CVM_CVM_626036-2_E_c-626036-2-e.2d_dxf.zip](#)

English

Customer View Model

[ENG_CVM_CVM_626036-2_E_c-626036-2-e.3d_igs.zip](#)

English

Customer View Model

[ENG_CVM_CVM_626036-2_E_c-626036-2-e.3d_stp.zip](#)

English

By downloading the CAD file I accept and agree to the [Terms and Conditions](#) of use.

Product Specifications

Application Specification

English