

1-175217-5 ✓ ACTIVE

[Dynamic Series](#) | [Dynamic 3000 Series](#)

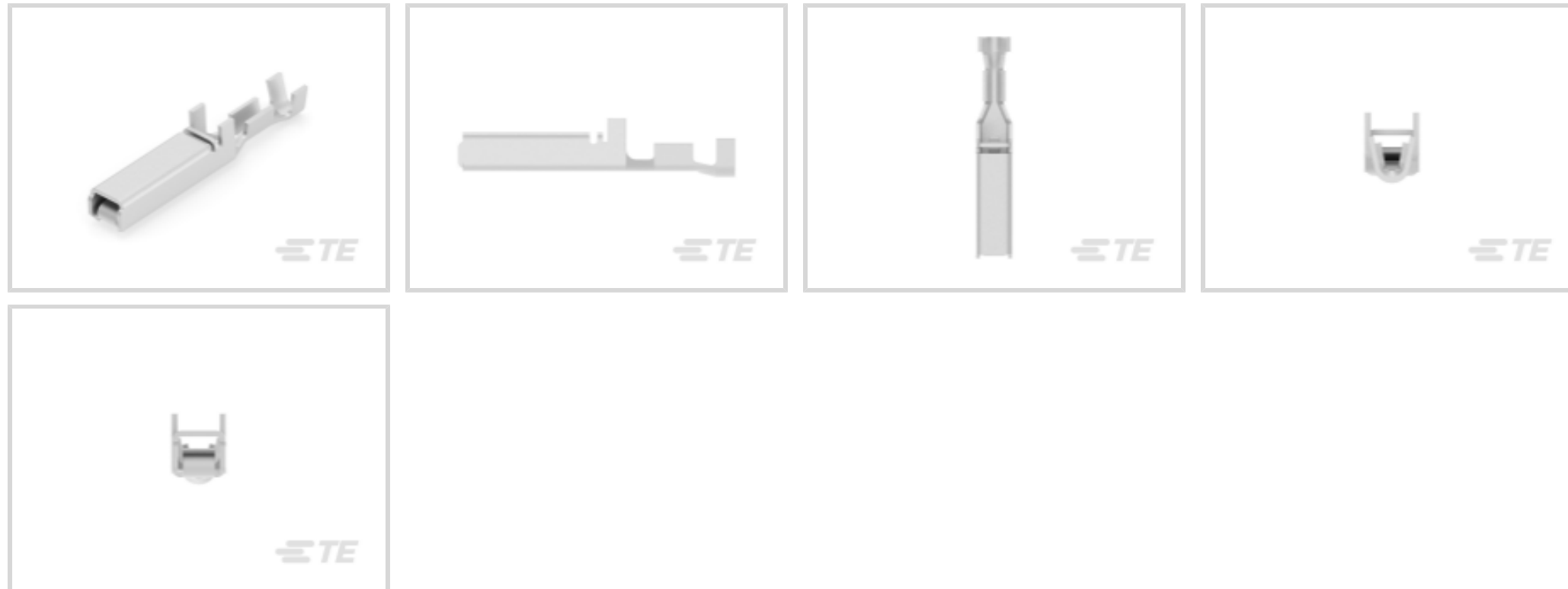
TE Internal #: 1-175217-5

Receptacle Contact, Tin, 24 – 20 AWG Wire Size, .2 – .6 mm² Wire Size, Power & Signal, -55 – 105 °C [-67 – 221 °F], Dynamic 3000 Series

[View on TE.com >](#)



[Connectors](#) > [Contacts](#) > [Connector Contacts](#) > [DYNAMIC 3000 CONTACT](#)



Contact Type: **Receptacle**

Contact Mating Area Plating Material: **Tin**

Wire Size: **.2 – .6 mm²**

Product Terminates To: **Wire & Cable**

[All DYNAMIC 3000 CONTACT \(91\)](#)

Features

Packaging Features

Packaging Method	Bag & Box
------------------	-----------

Contact Features

Mating Tab Thickness	.64 mm[.025 in]
Mating Tab Width	2 mm[.08 in]
Contact Type	Receptacle
Contact Mating Area Plating Material	Tin
Contact Current Rating (Max)	15 A

Termination Features

Product Terminates To	Wire & Cable
-----------------------	--------------

Dimensions

Wire Size	.2 – .6 mm ²
-----------	-------------------------

Usage Conditions

Operating Temperature Range	-55 – 105 °C[-67 – 221 °F]
-----------------------------	----------------------------



Operation/Application

Circuit Application	Power & Signal
---------------------	----------------

Other

EU RoHS Compliance	Compliant
EU ELV Compliance	Compliant

Product Compliance

[For compliance documentation, visit the product page on TE.com>](#)

EU RoHS Directive 2011/65/EU	Compliant
EU ELV Directive 2000/53/EC	Compliant
China RoHS 2 Directive MIIT Order No 32, 2016	No Restricted Materials Above Threshold
EU REACH Regulation (EC) No. 1907/2006	Current ECHA Candidate List: JUNE 2024 (241) Candidate List Declared Against: JUNE 2024 (241) Does not contain REACH SVHC
Halogen Content	Low Halogen - Br, Cl, F, I < 900 ppm per homogenous material. Also BFR/CFR/PVC Free
Solder Process Capability	Not applicable for solder process capability

Product Compliance Disclaimer

This information is provided based on reasonable inquiry of our suppliers and represents our current actual knowledge based on the information they provided. This information is subject to change. The part numbers that TE has identified as EU RoHS compliant have a maximum concentration of 0.1% by weight in homogenous materials for lead, hexavalent chromium, mercury, PBB, PBDE, DBP, BBP, DEHP, DIBP, and 0.01% for cadmium, or qualify for an exemption to these limits as defined in the Annexes of Directive 2011/65/EU (RoHS2). Finished electrical and electronic equipment products will be CE marked as required by Directive 2011/65/EU. Components may not be CE marked. Additionally, the part numbers that TE has identified as EU ELV compliant have a maximum concentration of 0.1% by weight in homogenous materials for lead, hexavalent chromium, and mercury, and 0.01% for cadmium, or qualify for an exemption to these limits as defined in the Annexes of Directive 2000/53/EC (ELV). Regarding the REACH Regulation, the information TE provides on SVHC in articles for this part number is based on the latest European Chemicals Agency (ECHA) 'Guidance on requirements for substances in articles' posted at this URL: <https://echa.europa.eu/guidance-documents/guidance-on-reach>

Compatible Parts



TE Part # CAT-D9934-A75C
DYNAMIC 3500 REC AND TAB HSG



TE Part # 91559-1
CCII D-3 M REC TAB 24-20 ASSY



TE Part # 234168-1
EXTRACTION TOOL(DYNAMIC D-3)



TE Part # 917249-1
DYNAMIC D-3400F REC HSG 20P



TE Part # 1-917266-3
DYNAMIC D-3200 P/MOUNT REC HSG



TE Part # 178214-1
DYNAMIC 3400 REC HSG 12P



TE Part # 58571-1
PROCRIMP TL W/DIE DYN3RH



TE Part # 90683-1
PRO-CRIMPER ASSEMBLY



TE Part # 90683-2
PROCRIMPER DIE ASSY DYNAMIC



TE Part # 2381454-1
SDE F DYNAMIC 3000 20-24 AWG ASSY



TE Part # 2381454-2
SDE F DYNAMIC 3000 20-24 AWG DIE SET

Also in the Series | **Dynamic 3000 Series**



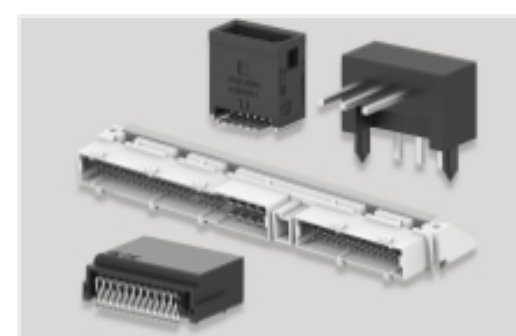
Connector Contacts(94)



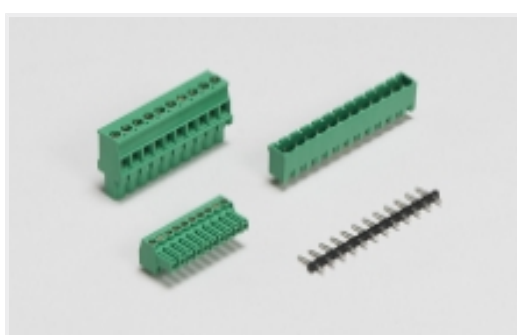
Connector Hardware(8)



Insertion & Extraction Tools(2)



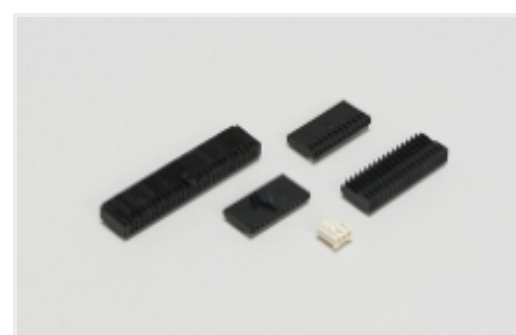
PCB Headers & Receptacles(282)



PCB Terminal Blocks(37)

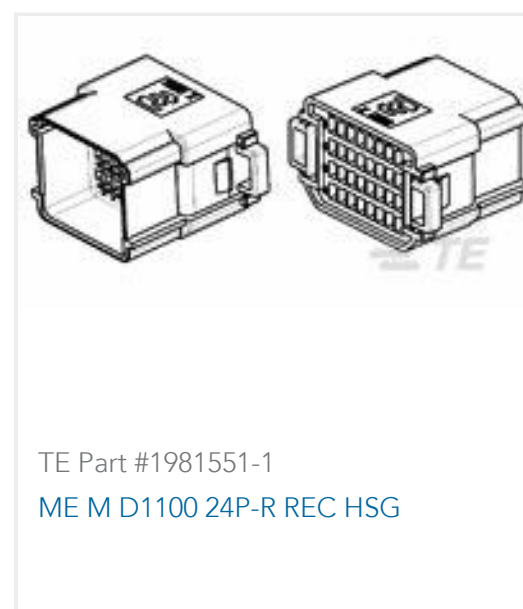


Standard Rectangular Connectors(2)



Wire-to-Board Connector Assemblies & Housings(152)

Customers Also Bought



Documents

Product Drawings

[DYNAMIC D-3 REC CONT. M PRE-TIN L/P](#)

English

CAD Files

[Customer View Model](#)

[ENG_CVM_CVM_1-175217-5_B.2d_dxf.zip](#)

English

[3D PDF](#)

3D

[Customer View Model](#)

[ENG_CVM_CVM_1-175217-5_B.3d_igs.zip](#)

English

[Customer View Model](#)

[ENG_CVM_CVM_1-175217-5_B.3d_stp.zip](#)

English

By downloading the CAD file I accept and agree to the [Terms and Conditions](#) of use.

Product Specifications

[Application Specification](#)

English

Instruction Sheets

[Instruction Sheet \(non U.S.\)](#)

Japanese

[Instruction Sheet \(non U.S.\)](#)

English



[Instruction Sheet \(non U.S.\)](#)

Japanese

[PEW12 HAND TOOL\(D3000-M\)](#)

Japanese

[Agency Approvals](#)

[TUV Certificate](#)

English