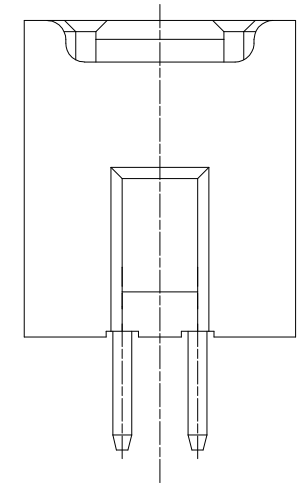
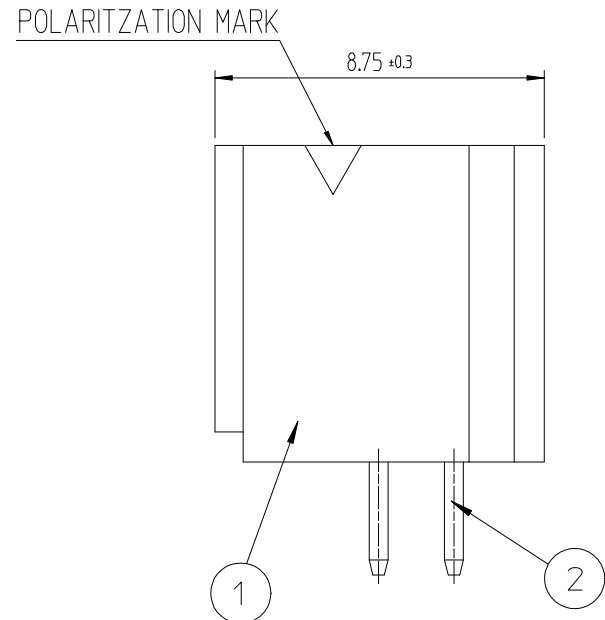
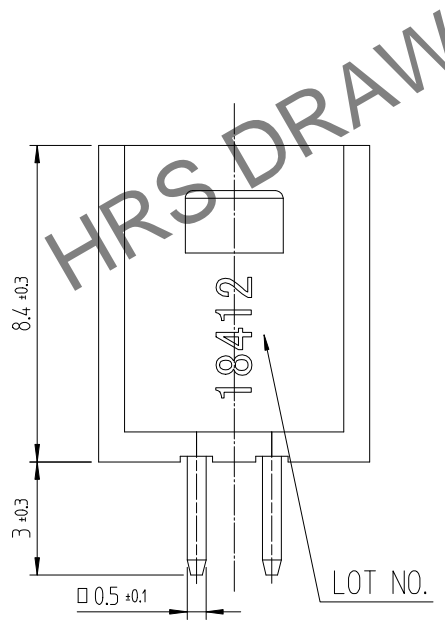
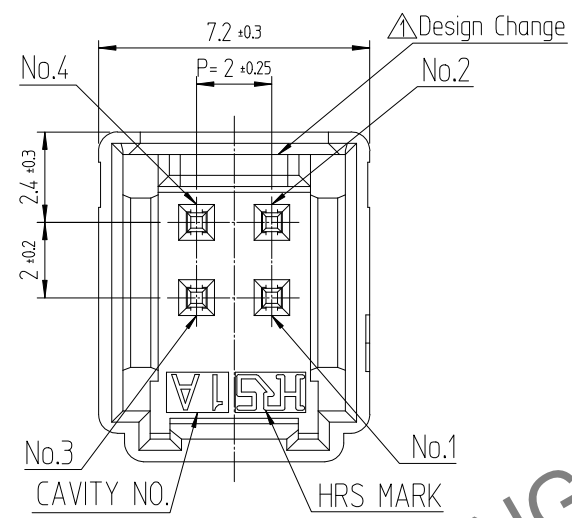
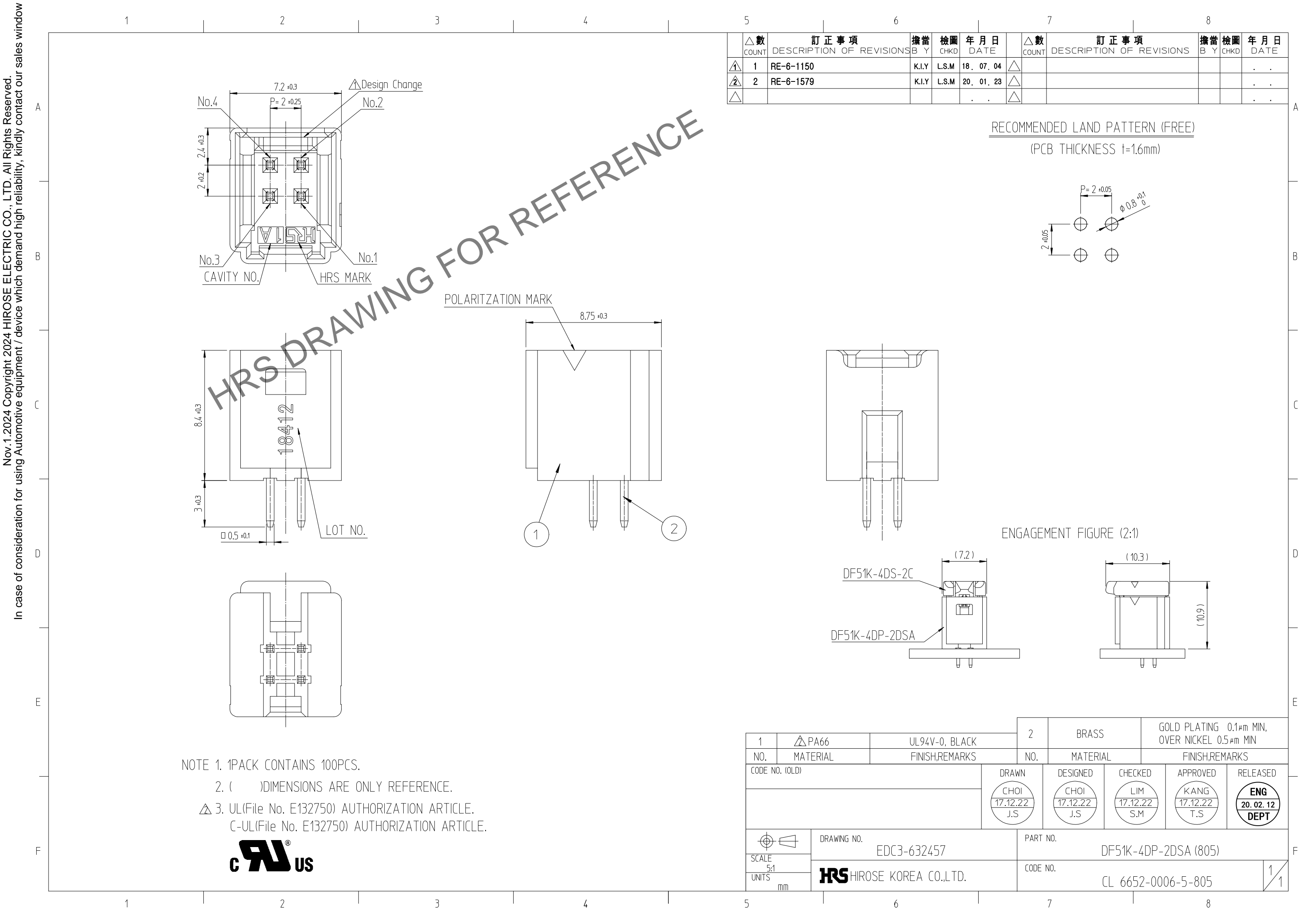
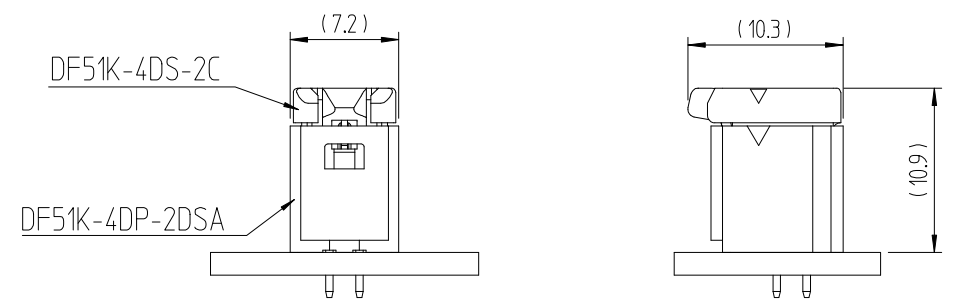
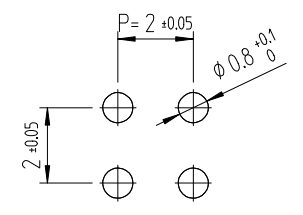


In case of consideration for using Automotive equipment / device which demand high reliability, kindly contact our sales window.



RECOMMENDED LAND PATTERN (FREE)  
(PCB THICKNESS t=1.6mm)



NOTE 1. 1PACK CONTAINS 100PCS.  
 2. ( ) DIMENSIONS ARE ONLY REFERENCE.  
 3. UL(File No. E132750) AUTHORIZATION ARTICLE.  
 C-UL(File No. E132750) AUTHORIZATION ARTICLE.



△數 COUNT	訂正事項 DESCRIPTION OF REVISIONS	擔當 B Y	檢圖 CHKD	年月日 DATE	△數 COUNT	訂正事項 DESCRIPTION OF REVISIONS	擔當 B Y	檢圖 CHKD	年月日 DATE
1	RE-6-1150	K.I.Y	L.S.M	18. 07. 04					
2	RE-6-1579	K.I.Y	L.S.M	20. 01. 23					

1	△ PA66	UL94V-0, BLACK	2	BRASS	GOLD PLATING 0.1μm MIN, OVER NICKEL 0.5μm MIN		
NO.	MATERIAL	FINISH,REMARKS	NO.	MATERIAL	FINISH,REMARKS		
CODE NO. (OLD)			DRAWN	DESIGNED	CHECKED	APPROVED	RELEASED
			CHOI 17.12.22 J.S	CHOI 17.12.22 J.S	LIM 17.12.22 S.M	KANG 17.12.22 T.S	ENG 20.02.12 DEPT
DRAWING NO. EDC3-632457			PART NO. DF51K-4DP-2DSA (805)				
SCALE 5:1			CODE NO. CL 6652-0006-5-805				
UNITS mm			HRS HIROSE KOREA CO.,LTD.				
						1/1	