

PRODUCT NUMBER

10050682-X XX H T LF

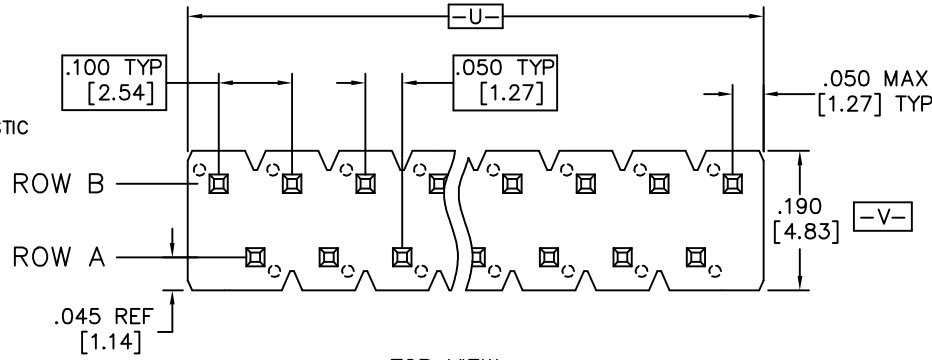
LEAD FREE OPTION
SPECIAL OPTIONS
SEE NOTE 7

HIGH TEMPERATURE PLASTIC
SEE NOTE 1

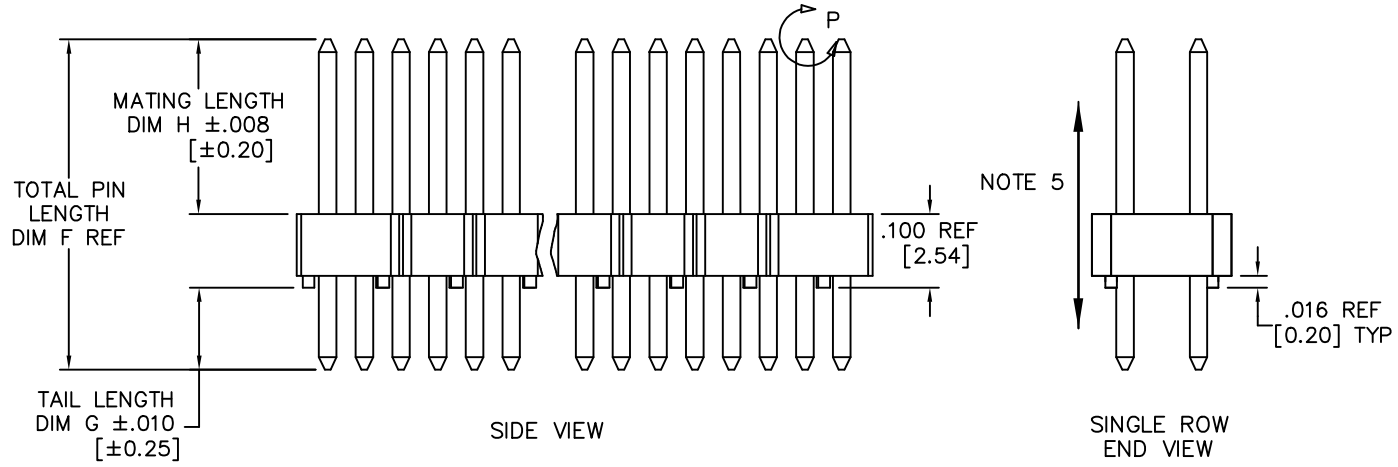
NO. OF POSITIONS
SEE NOTE 10

PIN PLATING
SEE SHEET 2

BASE PART NO.



TOP VIEW

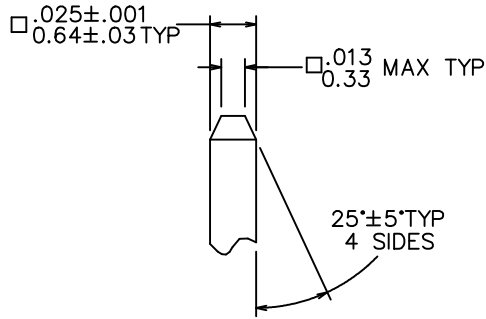


SIDE VIEW

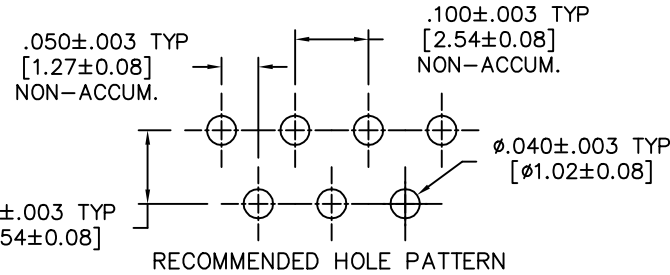
SINGLE ROW
END VIEW

⊕ ⌀.020/.51 (M) U (M) V (S)

NOTE 3



DETAIL P
TYP BOTH ENDS



RECOMMENDED HOLE PATTERN

mat'l. code				surface ISO 1302 ✓		tolerance ISO 406 ISO 1101		projection ⊕ ↯		product family BERGSTIK	
ltr				ecn no		dr		date		title	
H				ELX-N-52538		MZ		12/08/24		BERGSTIK® II HEADER	
J				ELX-N-52694		MZ		8/28/24		.100/2.54cc STAG. ROW	
										scale 1:1	
										dwg no	
E				M06-0271		AGS		7/14/06		sheet 1 of 2 size	
F				M08-0279		MHT		9/30/08		10050682	
G				ELX-N-17142		ZK		03/07/14		A3	
sheet				revision		J		J		type	
index				sheet		1		2		Product Customer Drawing	

PRODUCT NUMBER	TOTAL PIN LENGTH		TAIL LENGTH		MATING LENGTH		NO. OF PINS ROW A	NO. OF PINS ROW B	PACKAGING	DWG TUBE
	DIM F	DIM F	DIM G	DIM G	DIM H	DIM H				
	ENGLISH	METRIC	ENGLISH	METRIC	ENGLISH	METRIC				
10050682-X23H	0.661	16.79	0.082	2.08	0.479	12.16	11	12	TUBES	337144
10050682-X23HLF	0.661	16.79	0.082	2.08	0.479	12.16	11	12	TUBES	337144

PIN PLATING CODES:	
XXXXXXXX-4YY	100u"/2.54u MIN TIN OVER 50u"/1.27u MIN Ni
XXXXXXXX-4YYLF	100u"/2.54u MIN TIN OVER 50u"/1.27u MIN Ni

NOTES

- ① BODY MATERIAL :
FOR HIGH-TEMPERATURE APPLICATIONS, SPECIFY AN "H" AT THE END OF THE PART NUMBER, PCT WILL BE SUPPLIED.
FLAME RETARDENT PER UL94V-0.
OR
MINERAL FILLED LCP FLAME RETARDENT
PER UL-94V-0. COLOR: BLACK.
- ② PIN MATERIAL : BRASS(CHANGE TO BANDOLIER PIN).
- ③ MEASURED WITH PART IN RESTRAINED CONDITION.
- 4. TWO SIDES OF PIN TIPS NOT PLATED. TYPICAL BOTH ENDS.
- ⑤ 2LBS/0.9KG MIN PIN RETENTION IN EITHER DIRECTION.
- 6. PACKAGED IN POLY BAGS.
- ⑦ EIGHT DIGIT PART NUMBERS FOLLOWED BY A "T" ARE PACKAGED IN TUBES. SEE SPECIFIC PART NUMBERS FOR AVAILABILITY.
- 8. MILITARY BERGSTIK HEADER
P/N XXXXX-YYY-MIL.
NOT AVAILABLE.
- 9. NOTCH CONFIGURATION WILL VARY PER VENDOR'S DISCRETION.
- ⑩ ANY NUMBER OF POSITIONS IN ROW B FROM 2 THRU 36.
ROW A WILL HAVE ONE LESS POSITION THAN ROW B.

mat'l. code		surface ISO 1302 ✓		tolerance ISO 406 ISO 1101		projection 		product family BERGSTIK	
ltr	ecn no	dr	date	tolerances unless otherwise specified		INCH/MM		title	
J				angles	linear	.XXX±.01/.XXX±.03 .XXX±.005/.XXX±.013 .XXX±.0020/.XXX±.0051		BERGSTIK® II HEADER .100/2.54cc STAG. ROW	
				0±2'		scale 1:1		dwg no sheet 2 of 2 size	
				dr	T. BRUNGARD	12/03/04		10050682 A3	
				enr	H. SUNDY	12/03/04			
				chr	H. SUNDY	12/03/04			
				appd	H. SUNDY	12/03/04		type Product Customer Drawing	
sheet index	revision sheet								