

1217357-1 ✓ ACTIVE

MAG-MATE | MAG-MATE 500

TE Internal #: 1217357-1

Poke-In, Size 4, .71 – .87 mm Magnet Wire, 22 – 19.5 AWG Magnet Wire, Insulation Displacement (IDC), Tin Plating, MAG-MATE 500, Magnet Wire Terminals

[View on TE.com >](#)



Terminals & Splices > Magnet Wire Terminals



Magnet Wire Terminal Type: **Poke-In**

Compatible With Cavity Size: **Size 4**

Magnet Wire Size: **.71 – .87 mm**

Termination Method to Wire & Cable: **Insulation Displacement (IDC)**

Features

Contact Features

Magnet Wire Terminal Type	Poke-In
Terminal Plating Material	Tin
Contact Underplating Material	Nickel
Terminal Orientation	Twisted

Body Features

Compatible With Cavity Size	Size 4
-----------------------------	--------

Dimensions

Magnet Wire Size	.71 – .87 mm
Stock Thickness (Magnet Wire Side)	.4 mm[.016 in]
Product Length	13.08 mm[.514 in]
Terminal Height	12.83 mm[.505 in]

Termination Features

Termination Method to Wire & Cable	Insulation Displacement (IDC)
------------------------------------	-------------------------------

Packaging Features



Packaging Method	Reel, Reel/Carton
------------------	-------------------

Operation/Application

Compatible With Wire Base Material	Copper
------------------------------------	--------

Product Type Features

Compatible With Discrete Wire Type	Solid, Magnet Wire
------------------------------------	--------------------

Other

EU RoHS Compliance	Compliant
--------------------	-----------

EU ELV Compliance	Compliant
-------------------	-----------

Usage Conditions

Insulation Option	Uninsulated
-------------------	-------------

Product Compliance

[For compliance documentation, visit the product page on TE.com>](#)

EU RoHS Directive 2011/65/EU	Compliant
------------------------------	-----------

EU ELV Directive 2000/53/EC	Compliant
-----------------------------	-----------

China RoHS 2 Directive MIIT Order No 32, 2016	No Restricted Materials Above Threshold
---	---

EU REACH Regulation (EC) No. 1907/2006	Current ECHA Candidate List: JUNE 2024 (241) Candidate List Declared Against: JUNE 2024 (241) Does not contain REACH SVHC
--	---

Halogen Content	Low Halogen - Br, Cl, F, I < 900 ppm per homogenous material. Also BFR/CFR/PVC Free
-----------------	---

Solder Process Capability	Not applicable for solder process capability
---------------------------	--

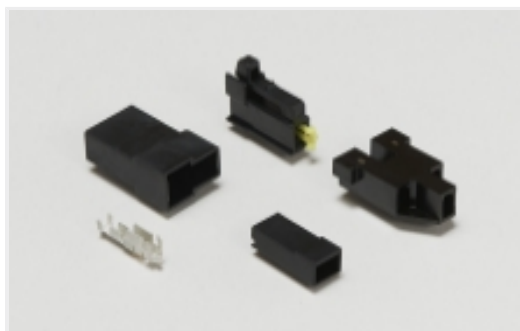
Product Compliance Disclaimer

This information is provided based on reasonable inquiry of our suppliers and represents our current actual knowledge based on the information they provided. This information is subject to change. The part numbers that TE has identified as EU RoHS compliant have a maximum concentration of 0.1% by weight in homogenous materials for lead, hexavalent chromium, mercury, PBB, PBDE, DBP, BBP, DEHP, DIBP, and 0.01% for cadmium, or qualify for an exemption to these limits as defined in the Annexes of Directive 2011/65/EU (RoHS2). Finished electrical and electronic equipment products will be CE marked as required by Directive 2011/65/EU. Components may not be CE marked. Additionally, the part numbers that TE has identified as EU ELV compliant have a maximum concentration of 0.1% by weight in homogenous materials for lead, hexavalent chromium, and mercury, and 0.01% for cadmium, or qualify for an exemption to these limits as defined in the Annexes of Directive 2000/53/EC (ELV). Regarding the REACH Regulation, the information TE provides on SVHC in articles for this part number is based on the latest European Chemicals Agency (ECHA) 'Guidance on requirements for substances in articles' posted at this URL: <https://echa.europa.eu/guidance-documents/guidance-on-reach>

Compatible Parts



Also in the Series | **MAG-MATE 500**



Magnet Wire Terminals(10)

Customers Also Bought



TE Part #63598-1
MAG-MATE 250 F-TAB TPBR



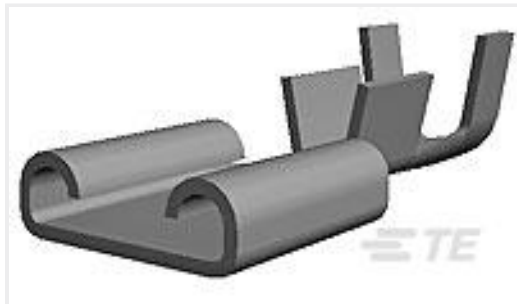
TE Part #5-160558-2
FF 250 REC 0.5-1.5MM2 TPBR



TE Part #160533-2
110 FASTON, REC., 20-17 AWG, TPBR



TE Part #5-160432-3
250 FASTON REC 20-16 AWG BR



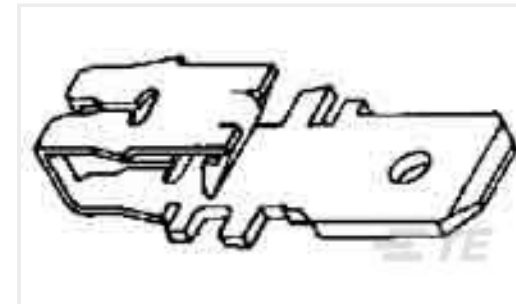
TE Part #5-160432-4
250 FASTON REC 20-16 AWG TPBR



TE Part #63665-1
MAG-MATE 187 FAST TAB 020TPBR



TE Part #173724-1
187 PL EX REC. 20-14AWG PTBR



TE Part #63664-2
MAG-MATE 27-23 187 FTAB TPBR



TE Part #63663-1
MAG-MATE 22-20 187 FTAB TPBR

Documents

Product Drawings

[MAG-MATE TERM 21-19 0157 TPNBR](#)

English

CAD Files

[3D PDF](#)

3D

Customer View Model

[ENG_CVM_CVM_1217357-1_E.2d_dxf.zip](#)

English

Customer View Model

[ENG_CVM_CVM_1217357-1_E.3d_igs.zip](#)

English

Customer View Model

[ENG_CVM_CVM_1217357-1_E.3d_stp.zip](#)

English

By downloading the CAD file I accept and agree to the [Terms and Conditions](#) of use.

Datasheets & Catalog Pages



Magnet Wire Terminals & Splices

English

Product Specifications

Application Specification

English